



EUROSWIM

SWIMMING POOL CENTRIFUGAL PUMPS



FILTRATION SYSTEM IN THE PUBLIC AND PRIVATE POOL, INDUSTRIAL APPLICATIONS



High efficiency self-priming centrifugal pumps with built-in large capacity prefilter. Extremely quiet running and great reliability, developed for water circulation and filtration in domestic and residential swimming pools. Suitable also for special applications that call for handling of aggressive liquids, in fish farms, agriculture and industry. Pump body in fibreglass reinforced technopolymer. Strainer cover in clear antioxidant polycarbonate to guarantee constant visibility through time. Nylon strainer. Impeller in fibreglass-reinforced technopolymer developed to ensure total coverage and isolation of the motor shaft from the pumped liquid. Diffuser in reinforced technopolymer. Mechanical seal in carbon / alumina / NBR / AISI 316. Pump body O-rings in NBR, threaded fasteners and reinforcing rings in AISI 304. Butterfly drain plugs that can be removed and refitted without tools.

Asynchronous continuous duty 2-pole motor (S1) with generous range of power ratings from 0,5 HP to 3 HP, single phase and three-phase (see technical specifications). Motor casing in die cast aluminium with electrophoresic surface treatment to prevent oxidation even in aggressive environmental conditions. Baseplate supplied as standard with rubber mounts to reduce vibration transmission.

Single phase version with integral thermal and overcurrent protection and permanent split capacitor (PSC), assembled inside the terminal box for all versions.

Motor and terminal box protection rating: IP55

Insulation class: F

Ball bearings:

water-proof, sealed, resistant to water and humidity. Motor construction to EN 60335-2-41 standards

Standard voltage: Single phase 220-240V 50Hz
Three-phase 230/400V 50Hz

Operating range: up to 42 m³/h with pressure head of up to 22 m

Pumped fluid: clean water or water slightly contaminated with suspended particulate, long fibre; highly aggressive water with high percentage contents of chlorine/bromine and PHMB (Polyhexamethylene Biguanide) or water treated with chlorine electrolytic process.

Liquid temperature range: up to 60°C

Maximum ambient temperature: +50°C

Maximum operating pressure: 2,5 bar

Installation: fixed or portable in horizontal position

Special executions on request: alternative voltages and/or frequencies

Fittings on request: 2"/50 - 63 kit (two fittings + O-ring - see "Accessories")

Reference standard: IEC - 60364

TECHNICAL DATA

MODEL	CODE	ELECTRICAL DATA							MAX NOISE LEVEL dB (A)
		VOLTAGE 50 Hz	P1 MAX W	P2 NOMINAL		In A	CAPACITOR		
				kW	HP		µF	Vc	
EUROSWIM 50 M	60118028	1x220-240 V ~	900	0,33	0,5	4,2	16	450	53
EUROSWIM 75 M	60118029	1x220-240 V ~	1000	0,5	0,75	5	20	450	56
EUROSWIM 75 T*	60145192	3x230-400 V ~	950	0,5	0,75	3,5 / 2	-	-	56
EUROSWIM 100 M	60118030	1x220-240 V ~	1300	0,75	1	6,3	25	450	57
EUROSWIM 100 T*	60145258	3x230-400 V ~	1200	0,75	1	4 / 2,4	-	-	57
EUROSWIM 150 M	60118032	1x220-240 V ~	1600	1,1	1,5	7	31,5	450	59
EUROSWIM 150 T*	60146030	3x230-400 V ~	1500	1,1	1,5	5 / 2,9	-	-	59
EUROSWIM 200 M	60118033	1x220-240 V ~	1900	1,5	2	8,6	40	450	62
EUROSWIM 200 T*	60146035	3x230-400 V ~	1900	1,5	2	6 / 3,5	-	-	62
EUROSWIM 300 M	60122213	1x220-240 V ~	2800	2,2	3	12	40	450	64
EUROSWIM 300 T*	60146024	3x230-400 V ~	2800	2,2	3	8,7 / 5	-	-	64

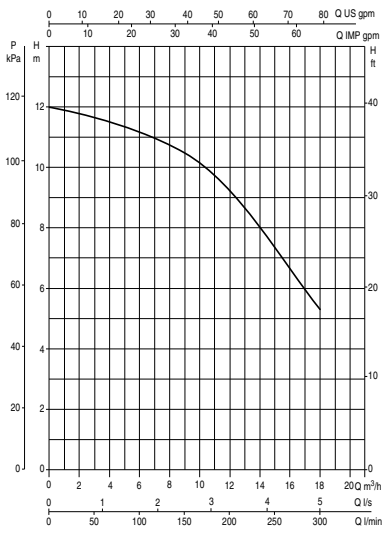
* NEW IE2 MOTOR



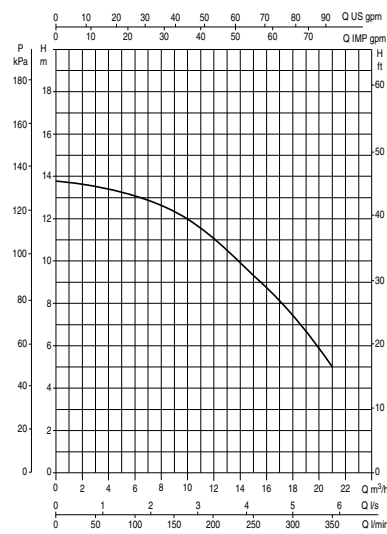
EUROSWIM

SWIMMING POOL CENTRIFUGAL PUMPS

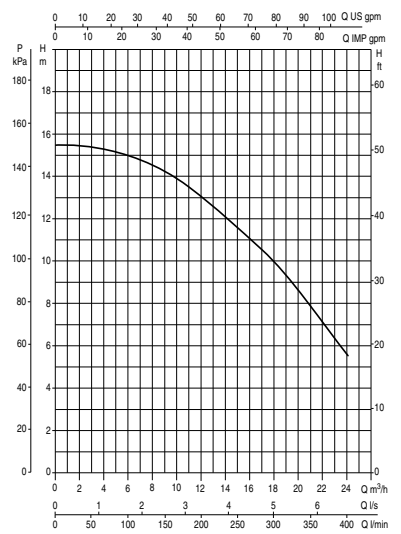
EUROSWIM 50



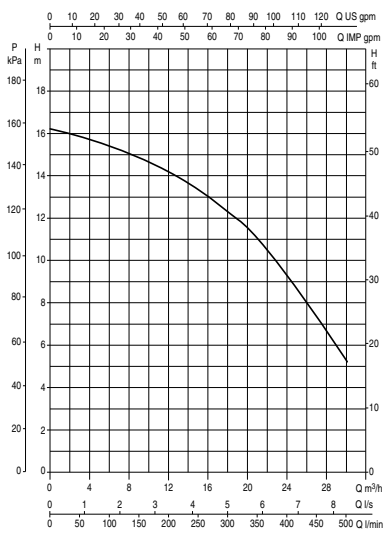
EUROSWIM 75



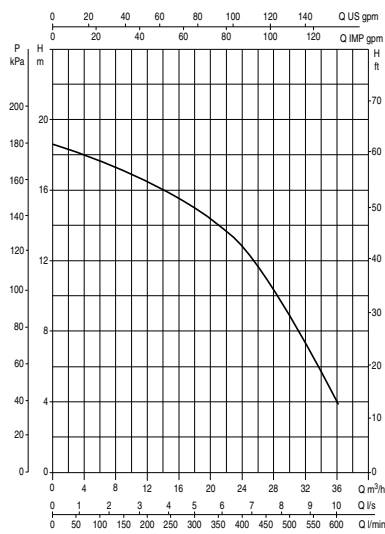
EUROSWIM 100



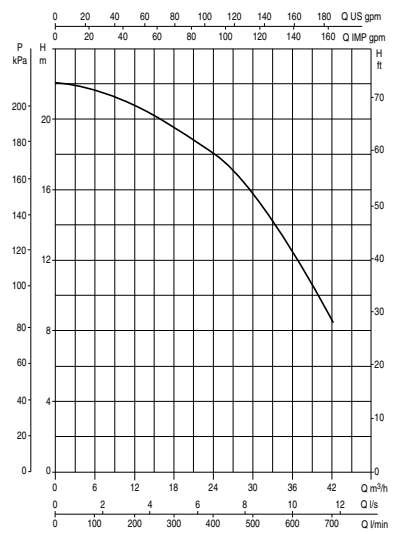
EUROSWIM 150



EUROSWIM 200



EUROSWIM 300

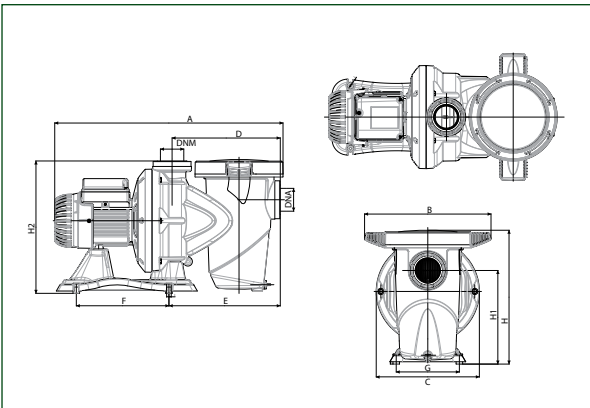


MULTISTAGE CENTRIFUGAL
AND SELF-PRIMING PUMPS

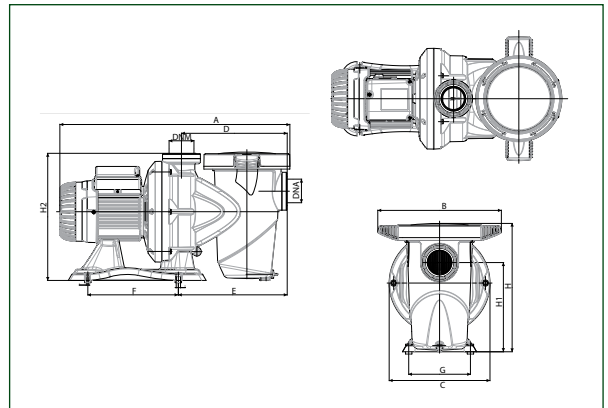
EUROSWIM

SWIMMING POOL CENTRIFUGAL PUMPS

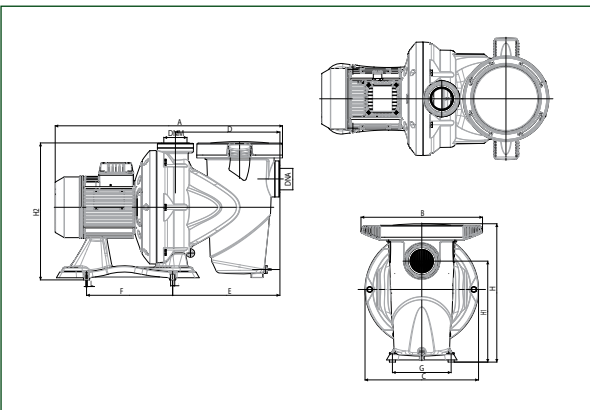
EUROSWIM 50



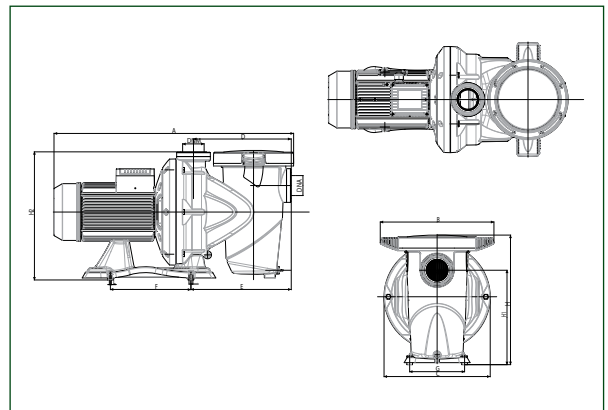
EUROSWIM 75 - 100



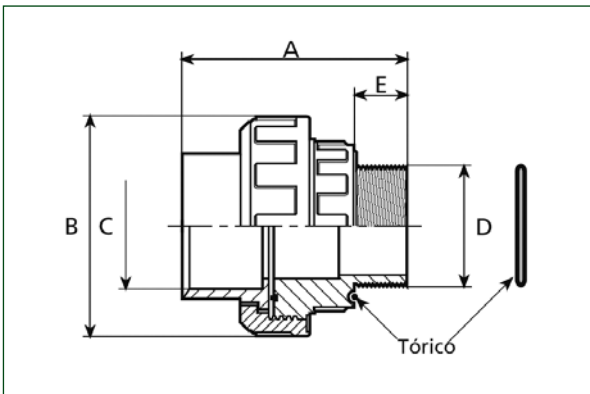
EUROSWIM 150 - 200



EUROSWIM 300



2" GAS CONNECTION FITTINGS KIT



MODEL	A	B	C	D	E	F	G	H	H1	H2	I	L	DNA GAS	DNM GAS	PACKAGING DIMENSIONS			WEIGHT KG	Q.TY x PALLET
															L	B	H		
EUROSWIM 50 M	536	242	242	257	265	220	150	351	222	314	11	6,5	2"	2"	600	360	400	11,1	8
EUROSWIM 75 M	552	242	245	257	265	220	150	351	222	314	11	6,5	2"	2"	600	360	400	12,1	8
EUROSWIM 75 T	552	242	245	257	265	220	150	351	222	314	11	6,5	2"	2"	600	360	400	12,1	8
EUROSWIM 100 M	552	242	245	257	265	220	150	351	222	314	11	6,5	2"	2"	600	360	400	13,8	8
EUROSWIM 100 T	552	242	245	257	265	220	150	351	222	314	11	6,5	2"	2"	600	360	400	13,8	8
EUROSWIM 150 M	574	250	290	267	274	220	150	387	258	350	11	6,5	2"	2"	720	350	430	17,9	6
EUROSWIM 150 T	574	250	290	267	274	220	150	387	258	350	11	6,5	2"	2"	720	350	430	16,7	6
EUROSWIM 200 M	648	250	290	267	274	220	150	387	258	350	11	6,5	2"	2"	720	350	430	20	6
EUROSWIM 200 T	574	250	290	267	274	220	150	387	258	350	11	6,5	2"	2"	720	350	430	17,6	6
EUROSWIM 300 T	648	252	290	267	274	220	150	387	258	350	11	6,5	2"	2"	720	350	430	19,9	6
2" GAS FITTINGS KIT	99	99	50/63	2"	20	-	-	-	-	-	-	-	-	-	-	-	-	23,9	6