



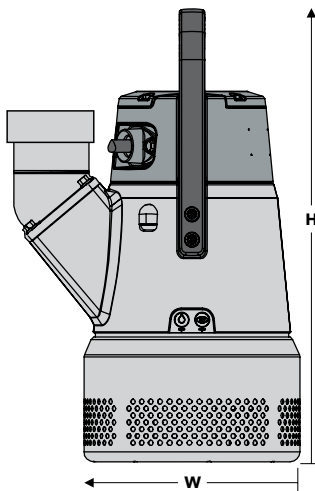
# Flygt Submersible Pumps

AVAILABLE FOR RENTAL AND SALE

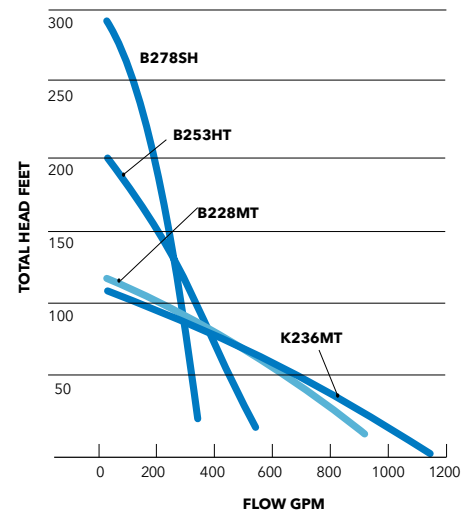


[www.motralec.com](http://www.motralec.com) / [service-commercial@motralec.com](mailto:service-commercial@motralec.com) / 01.39.97.65.10

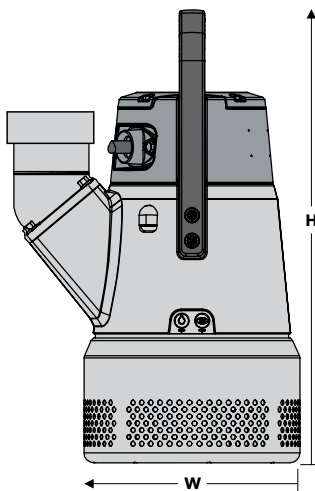
## BS/KS 2860



Model number: 2860.180  
 Motor rating: 15 HP@3465 RPM  
 Voltage (3 $\phi$ ): 208V 230V 460V 575V  
 Full load amps: 39A 35A 18A 14A  
 Versions: 3" High head  
 Imp. Code B253 (HT), B278 (SH)  
 4" & 6" Standard  
 Imp. Code B228 (MT), K236 (MT)  
 Hose connection: Male NPT  
 Pump dimensions: 16<sup>3</sup>/<sub>4</sub>" W(max.) x 35" (38<sup>1</sup>/<sub>2</sub>" SH) H(max.)  
 Max. weight (lbs.): 201 (234 SH)  
 Description: Aluminum and stainless steel construction; extra wear resistant closed impellers, rests on bottom strainer.  
 Options: Warm liquid 70°C version available.



## BS 2870



Model number: 2870.180  
 Motor rating: 27 HP@3490 RPM  
 Voltage (3 $\phi$ ): 230V 460V 575V  
 Full load amps: 61A 31A 25A  
 Versions: 4" High head  
 Imp. Code 253  
 6" Standard  
 Imp. Code 228  
 Hose connection: Male NPT  
 Pump dimensions: 20" W (max.) x 39" H (max.)  
 Max. weight (lbs.): 339  
 Description: Aluminum and stainless steel construction; extra wear resistant closed impellers; rests on bottom strainer.  
 Options: Warm liquid 70°C version available.

