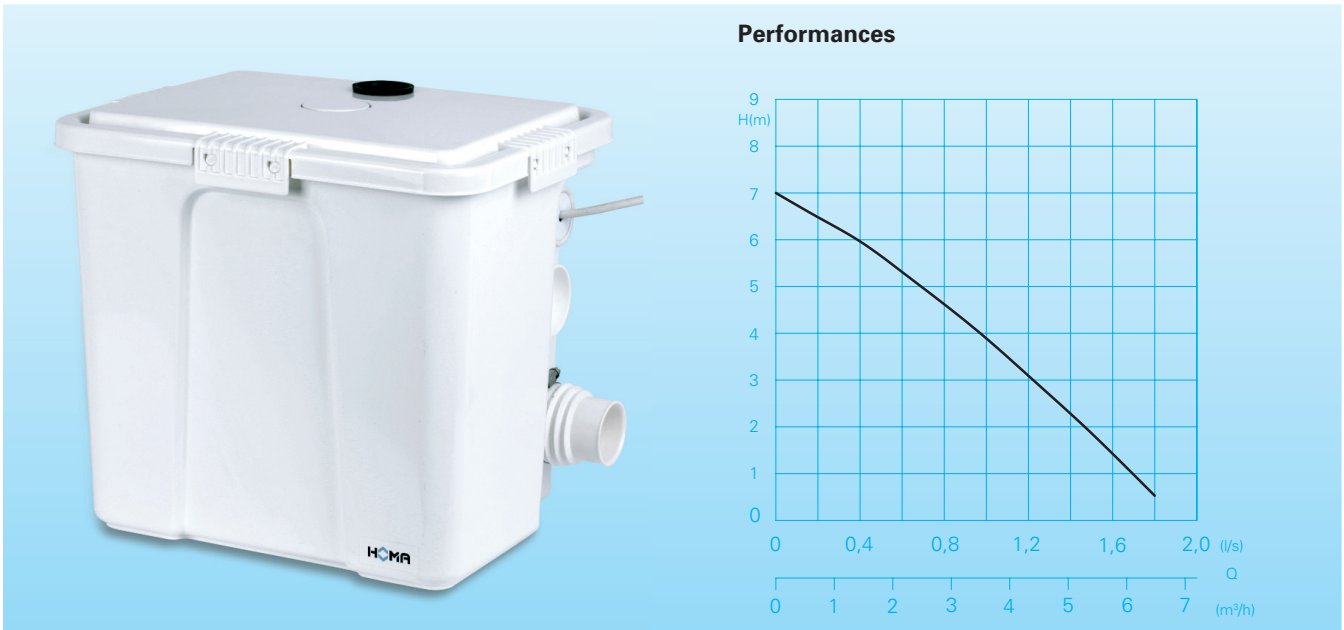


Floor mounted compact drainage water and effluent box

San.iQ plus - C140 WA



Application

Compact mini pump station for sanitary installations. Installation of hand basin, sink, dishwasher, washing machine, shower or bathtub in basement apartments or cellars which are below sewer backflush level. Depending on the installation you may need the special float switch (see accessories) to connect a shower or bathtub. The San.iQ plus is also the ideal solution for subsequent installation of sanitary facilities. The built-in powerfull drainage pump operates automatically by a floatswitch control. The discharge pipe with Ø 40 mm minimum diameter can be easily installed with minimum construction work. The San.iQ plus compact design allows installation directly under the hand basin, where space is at a premium.

DIN EN 12050-2: Conformity and design approved and controlled by LGA

Pumped liquid: Domestic drainage water and effluent. Maximum liquid Temperature: 35°C, short term up to 60°C.

Operation: Permanent. (S1)
60°C intermittent (S3-30%)

Technical Data

| Curve Nr. | Pump type | Motor P ₁ (kW) | P ₂ (kW) | Nominal current (A) | Discharge | Weight (kg) |
|-----------|-----------------------|---------------------------|---------------------|---------------------|--------------|-------------|
| ① | San.iQ plus - C140 WA | 0,32 | 0,17 | 1,4 | Ø 40 (DN 32) | 7,0 |

Speed: 2850 U/min
Cable: H07RN-F 3G1

Model W: 230V/1Ph 50Hz

Design

Compact domestic effluent disposal unit comprising:

Collection Tank: Odour-tight plastic collection tank. Maximum utility volume 27 litres. One top inlet Ø 40 mm. Four lateral inlets Ø 50 mm. Discharge Ø 40 mm (DN32) with integrated non-return valve - optional on the left or right site allows flexible connection. Air vent with activated carbon filter

Pump/Motor: Fully submersible, pressure tight electric motor. Insulation class F. Motor protection IP 68. 3 Triple lip-seal combination. Thermal sensors imbedded in the motor winding. Rotor shaft from stainless steel with ceramic coated sealing surface, pre-lubricated bearings. Open multi-channel impeller, spherical clearance 10 mm.

Pump Operation Control: Pneumatic level control / float switch. Switching heights: On 200 mm, Off 100 mm. Special float switch to reduce switching height see accessories.

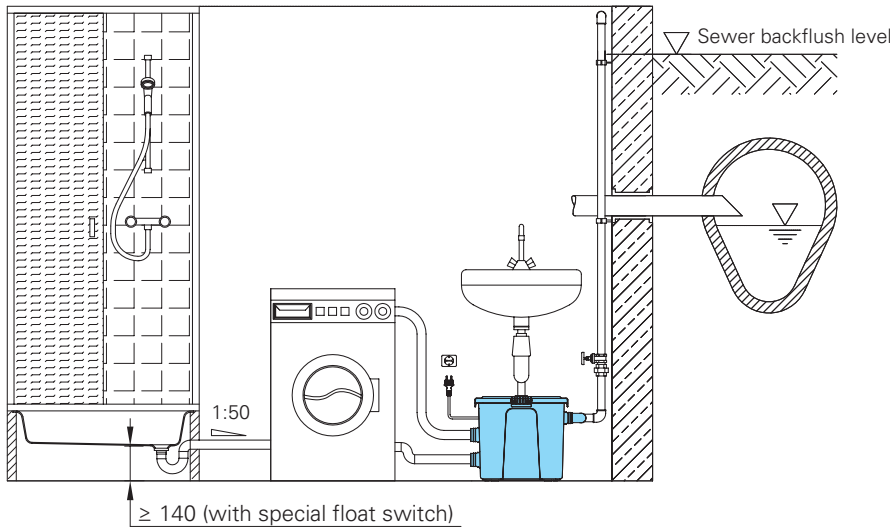
Materials

| | |
|---------------------|---|
| Collection tank | ABS |
| Installation kit | Composite |
| Pump housing | Glass-fibre reinforced synthetic material (composite) |
| Motor housing | stainless steel |
| Impeller | Glass-fibre reinforced synthetic material (composite) |
| Rotor shaft, screws | Stainless steel partially ceramic coated |
| Seal kit | NBR |

Equipment supplied

Collecting tank with pump - fully assembled, hose connection, elastic connection pieces, non-return valve, activated carbon filter, 5m cable and plug.

Installation



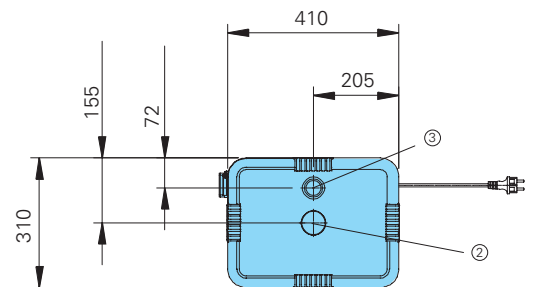
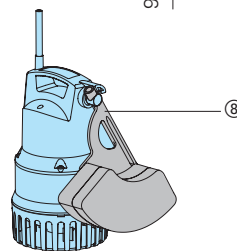
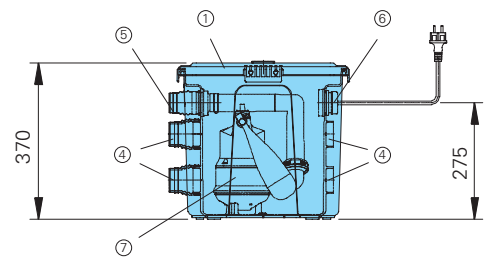
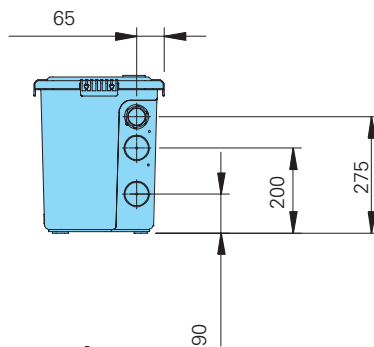
| Type | Art.-Nr. |
|----------------------|----------|
| San.iQ plus – C140WA | 9804170 |

Accessories

| Description | Dim. | Part No. |
|---|---------------|----------|
| Bronze Gate valve | BSP 1 1/4" IG | 2216012 |
| Galvanized 90° elbow | BSP 1 1/4" IG | 2111405 |
| Galvanized union piece | BSP 1 1/4" IG | 2114304 |
| AL3 Alarm unit with level sensor for tanks | | 1586146 |
| ALWS alarm unit with level sensor for tanks and washing machine off-switch | | 1586213 |
| Special float switch to reduce switching height. (On ca.110 mm Off ca. 50 mm) | | 7300693 |
| Accessories-Kit: Inlet San.iQ plus | | 8609031 |

Dimensions (all dimensions in mm)

- ① Collecting Tank with cover and seal
- ② Air vent with activated carbon filter
- ③ Inlet Ø 40 mm
- ④ Inlet Ø 50 mm
- ⑤ Discharge Ø 40 mm (DN32) with integrated non-return valve
- ⑥ Cable inlet
- ⑦ Pump with float switch
- ⑧ Pump with special float switch to reduce switching height (On ca.120 mm Off ca. 50 mm)



HOMA Pumpenfabrik GmbH
 P.O.Box 22 63, D-53814 Neunk.-Seelscheid
 Tel. +49 (0) 22 47/702-0, Fax +49 (0) 22 47/702-44
 e-mail: info@homa-pumpen.de
 www.homapumps.com