

Submersible pumps for waste water containing solids. Spherical clearance 22-35 mm.

TP 22, TP 26, TP 35

Application

HOMA TP series pumps are suitable for pumping drainage water or waste water. With their 22 - 35 mm spherical clearance they are especially able to pump liquids with larger suspended solids like fibres, textiles etc. They are used for various applications in public and private sector, trade and industry.

Installation: Transportable or permanent. Models with float switch control for automatic pump operation, depending on liquid level in the sump.

Pumped liquid: Clear water and drainage water, sewage containing soft solids. Max. liquid temperature: 40°C.

Operation: motor submerged: permanent (S1)

Design

Fully submersible, compact integrated motor-pump unit consisting of:

Pump: Single stage centrifugal pump with vertical discharge G2.

Impellers: M = Open single channel impeller for liquids containing impurities and sludge with solid particles.

V = Vortex impeller for liquids containing a high level of impurities or fibrous matter and containing gas.

Motor: Fully submersible, pressure tight electric motor, oil filled. Insulation class B. Degree of protection IP 68. Thermal monitoring in the winding.

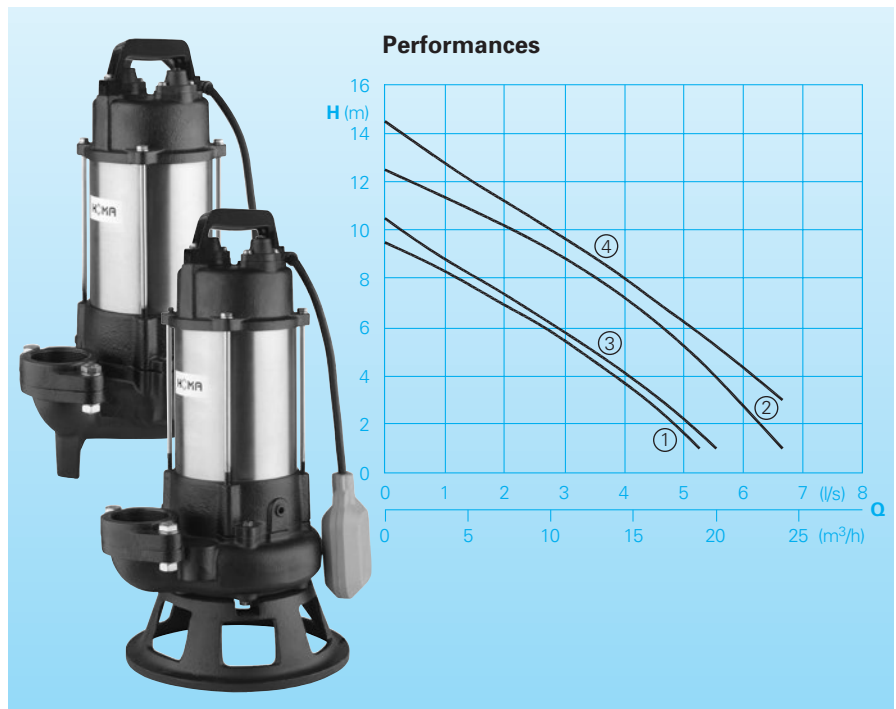
Cable:

Model W (A): H07 RN - F3 G1

Model D (A): H07 RN - F4 G1

Shaft/Bearing: Large diameter stainless rotor shaft, pre-lubricated bearings.

Seals: mechanical seals.



Technical Data

Curve No.	Pump type	Motor input P ₁ (kW)	Motor output P ₂ (kW)	Speed (rpm)	Nominal current (A)	Spherical clearance (mm)	Weight (kg)
①	TP35V07/2 W(A)	0,7	0,4	2780	3,3	35	17
①	TP35V07/2 D(A)	0,7	0,4	2780	1,3	35	16
②	TP35V10/2 W(A)	1,1	0,8	2800	5,2	35	19
②	TP35V10/2 D(A)	1,1	0,8	2800	1,9	35	18
③	TP22M07/2 W(A)	0,7	0,4	2780	3,3	22	17
③	TP22M07/2 D(A)	0,7	0,8	2780	1,3	22	16
④	TP26M10/2 W(A)	1,1	0,8	2800	5,2	26	19
④	TP26M10/2 D(A)	1,1	0,8	2800	1,9	26	18

Model W: 230 V / 1 Ph

Model D: 400 V / 3 Ph

Materials:

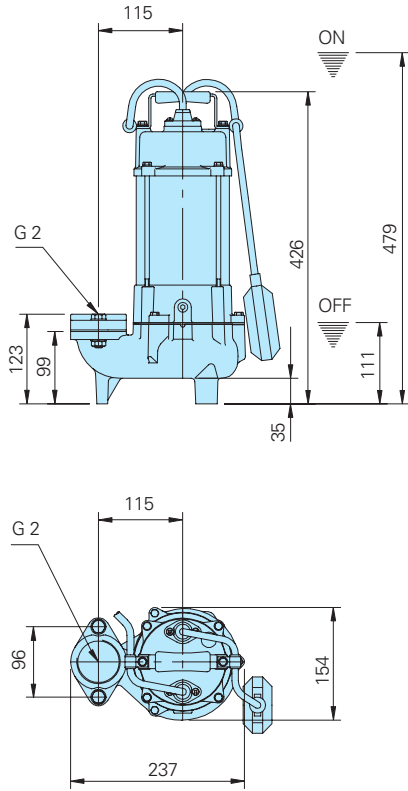
Pump housing, Impeller,	
Motor housing cover	EN-GJL-200
Motor housing	stainless steel 1.4301
Rotor shaft	Stainless steel
Mechanical seal pump side	SiC/SiC
motor side	carbon/ceramic
Elastomere	NBR
Mechanical connecting parts	Stainless steel

Equipment supplied

Pump with base stand, 10m of cable.
Model W:
 with plug type F.
Model D:
 with phase inverter.
Model A:
 with automatic level control HOMA-Nivomatik.

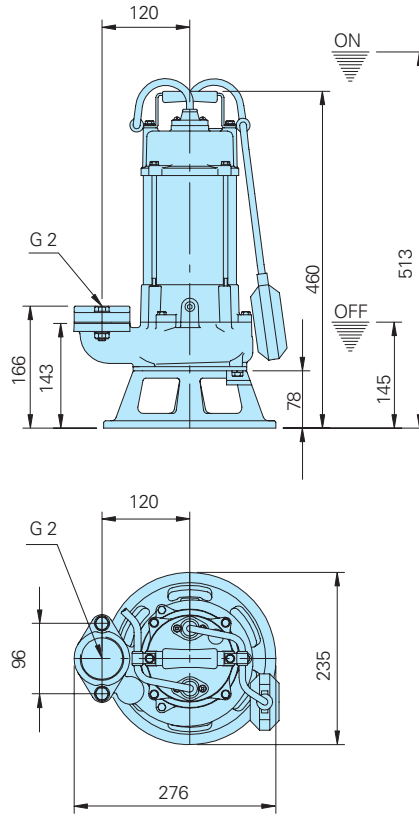
Dimensions and Installations

TP 35 V with base stand

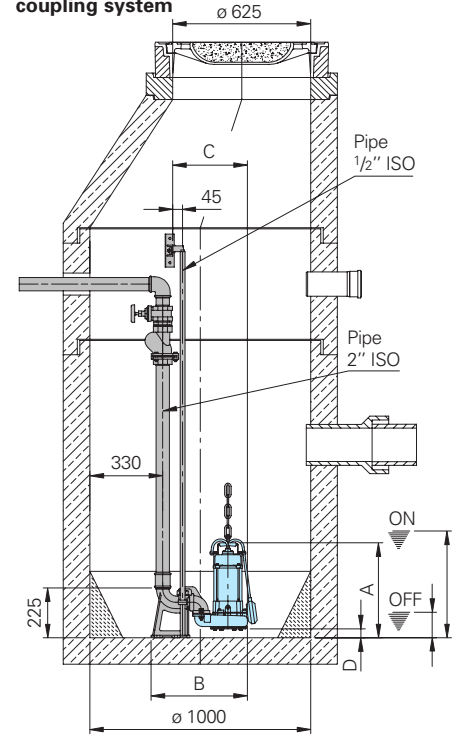


all dimensions in mm

TP 22 - 26 M with ring base stand

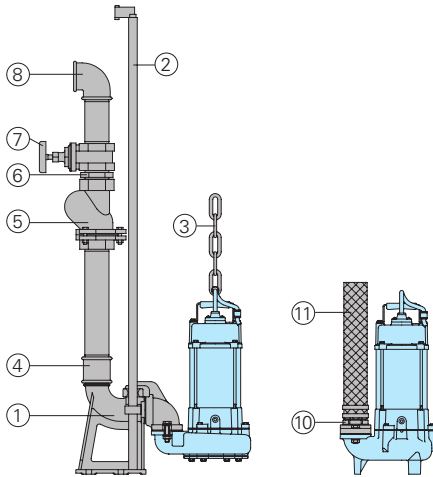


Permanent sump installation with auto-coupling system



Pump type	A	B	C	D	ON	OFF
TP22M.../2W(D)(A)	430	436	338	39	483	115
TP26M.../2W(D)(A)						
TP35V.../2W(D)(A)	435	427	329	44	488	120

Accessories



Description	Dimension	Part No.
① Auto-coupling system with flange, upper slide rail bracket and flanged pump coupling BSP 2 KK50VO/45		8604003
○ Auto-coupling system complete or partial in stainless steel	All tyoes	On request
○ Screw-kits for installation of coupling-system		On request
Inter. upper slide rail bracket	Ø 1/2" for KK50	7320271
② Guide rails, pair, per m steel galvanized	Ø 1/2	2190085
stainless steel	Ø 1/2	2190250
③ Lifting chain, per m steel galvanized	5 mm Ø	2800350
stainless steel	5 mm Ø	2800353
Shackle for chain steel galvanized	for chain 5 mm Ø	2801450
stainless steel	for chain 5 mm Ø	2801390

Description	Dimension	Part No.
④ Galvanized double nipple	BSP 2 F	2109102
	BSP 2 F/ BSP 1 1/2 F	2102210
⑤ Cast iron swing check valve	BSP 1 1/2 F	2212902
	BSP 2 F	2212903
⑥ Galvanized double nipple	BSP 1 1/2 M	2009020
	BSP 2 M	2009018
⑦ Bronze gate valve	BSP 1 1/2 F	2216015
	BSP 2 F	2216020
⑧ 90° galvanized elbow	BSP 1 1/2 F	2113605
	BSP 2 F	2113606
T-piece for twin-pump arrangement	BSP 1 1/2 F	2114302
	BSP 2 F	2114306
⑩ Hose coupling	BSP 2" M	2001514
⑪ Reinforced hose, per m	Ø 50 mm	2632050
Hose bands	2"	2306009
○ Control panel for single or twin pump stations for automatic operation		On request

motralec

4 rue Lavoisier . ZA Lavoisier . 95223 HERBLAY CEDEX
 Tel. : 01.39.97.65.10 / Fax. : 01.39.97.68.48
 Demande de prix / e-mail : service-commercial@motralec.com
www.motralec.com

HOMA
 P U M P T E C H N O L O G Y

We reserve the right to alter our specifications without notice!

www.motralec.com / service-commercial@motralec.com / 01.39.97.65.10