



# FH SERIES

## CENTRIFUGAL ELECTRIC PUMPS IN COMPLIANCE WITH EN 733 - (ex DIN 24255)

Cast iron pump body and AISI 316L stainless steel, laser-technology welded impeller <sup>(1)</sup>. Suitable for pumping hot and cold, moderately aggressive liquids.

### APPLICATIONS

- Water circulation and transfer in civil, industrial and agricultural sectors.
- Pressure boosting.
- Water supply.
- Circulation of hot and cold water in heating and conditioning systems.
- Industrial washing.
- Water display, fountains.

### AVAILABLE MODELS

- **FHE** close-coupled with special motor shaft extension.
- **FHS** with stub shaft and standard motor.
- **FHF** with flexible coupling, base and standard motor in compliance with EN 733 - (ex DIN 24255).

### SPECIFICATIONS

- **Maximum delivery** up to **500 m<sup>3</sup>/h**.
- **Maximum head** up to **95 m**.
- Wear ring in stainless steel AISI 316 up to DN80 (except 65-315 and 80-315).
- Mechanical seal lubricated with the pumped liquid through a recirculation channel up to DN 80 (except 65-315 and 80-315).
- **Nominal diameter of ports** up to **150 mm**.
- **Nominal diameter of impeller** up to **315 mm**.
- 2-pole single-phase motors up to 2.2 kW.
- 2 and 4-pole three-phase motors.
- 50 and 60 Hz frequencies.
- Counterflanges available on request.
- IP55 protection.
- Class F insulation.
- **Maximum operating pressure: 12 bar**.
- **Temperature of liquid** from **-10°C to +85°C** for versions up to DN 80 (from **-20°C to +120°C** for versions with EPDM elastomers) from **-10°C to +120°C** for 65-315, 80-315 and for DN 100, 125, 150.
- **Versions with HYDROVAR frequency converter (variable speed) are available on request.**

<sup>(1)</sup> Impeller in cast iron for some models of DN 65 and DN 80, and DN 100, 125, 150.

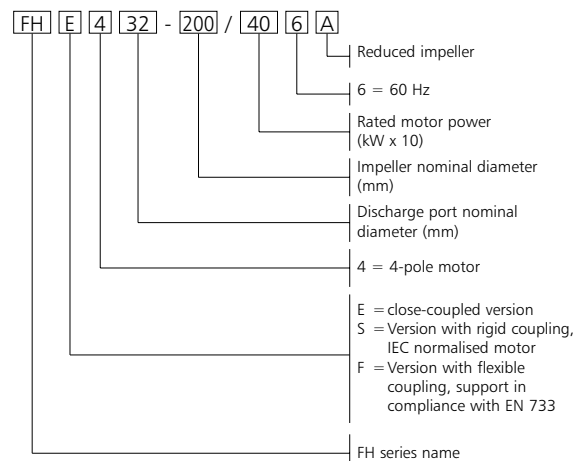


### TABLE OF MATERIALS

PART	MATERIAL
Pump body	CAST IRON
Impeller 32, 40, 50, 65-125	STAINLESS STEEL (AISI 316 - DIN 1.4404)
Impeller 65-160, 65-200, 65-250, 80, 100, 125, 150	CAST IRON
Adapter	ALUMINIUM OR CAST IRON
Mechanical seal*	CERAMIC/CARBON/NBR up to DN 80 CARBON/SILICON CARBIDE/EPDM for 65-315, 80-315, 100,125, 150
O-ring seals	NBR
Wear ring, Counterwear ring (only for DN32-80 except for 65-315 and 80-315)	STAINLESS STEEL (AISI 316L - DIN 1.4404)
Shaft	STAINLESS STEEL AISI 316 L for DN 32-80 (except for 65-315 and 80-135) STAINLESS STEEL AISI 420 for 65-315, 80-315, 100, 125, 150
Support body (FHF)	CAST IRON (200 - UNI ISO 185)
Fill and drain plugs	NICKEL-PLATED BRASS

\* -20°C a 120°C version: Ceramic / Carbon / EPDM

### IDENTIFICATION CODE





## ELECTRICAL SPECIFICATIONS OF MOTORS WITH SPECIAL SHAFT EXTENSION, FHE SERIES

### SINGLE-PHASE 50 Hz 2-POLES MOTORS

MOTOR TYPE			INPUT CURRENT In (A) 220-240 V	CAPACITOR		DATA FOR 230 V 50 Hz					
kw	IEC SIZE *	CONSTRUCTION DESIGN		μF	V	rpm	Is / In	n %	cosφ	Cn Nm	Cs/Cn
0.75	90R	B14	5.02-5.39	30	450	2875	5.1	70.6	0.91	2.49	0.71
1.1	90R	B14	7.07-6.81	30	450	2800	3.80	73.8	0.95	3.75	0.47
1.5	90R	B14	9.32-8.63	40	450	2780	3.45	75.5	0.97	5.15	0.47
2.2	90	B14	13.3-12.6	50	450	2785	3.45	76.9	0.97	7.54	0.36

\* R = Reduced size of motor casing as compared to shaft extension and flange.

fhe-motm-2p50\_a\_te

### THREE-PHASE 50 Hz 2-POLES MOTORS

MOTOR TYPE			INPUT CURRENT In (A)				DATA FOR 400 V 50 Hz					
kw	IEC SIZE *	CONSTRUCTION DESIGN	Δ		Y		rpm	Is / In	n %	cosφ	Cn Nm	Cs/Cn
			220-240 V	380-415 V	380-415 V	660-690 V						
0.75	90R	B14	3.72	2.15	-	-	2915	8.23	77.7	0.65	2.45	5.20
1.1	90R	B14	4.52	2.61	-	-	2875	6.78	78.9	0.77	3.65	3.49
1.5	90R	B14	5.98	3.45	-	-	2875	7.04	80.1	0.78	4.98	3.83
2.2	90R	B14	8.71	5.03	-	-	2860	7.32	81.1	0.78	7.34	4.12
3	90	B14	10.8	6.22	-	-	2845	6.81	80.4	0.87	10.1	3.00
4	112R	B14	-	-	8.14	4.70	2900	7.86	83.5	0.85	13.2	2.86
5.5	112	B14	-	-	11.0	6.35	2910	7.71	84.5	0.85	18.0	2.66
7.5	112	B14	-	-	14.6	8.43	2910	7.62	87.2	0.85	24.6	3.03
9.2	132	B14	-	-	17.5	10.1	2925	8.72	86.3	0.88	30.0	3.33
11	132	B14	-	-	21.2	12.2	2925	8.75	88.8	0.84	35.9	3.66
15	160	B34	-	-	28.6	16.5	2940	8.56	85.3	0.89	48.7	3.10
18.5	160	B34	-	-	34.2	19.7	2945	8.80	87.3	0.90	60.0	4.06
22	160	B34	-	-	40.3	23.3	2945	8.61	89.5	0.88	71.2	4.79

\* R = Reduced size of motor casing as compared to shaft extension and flange.

fhe-mott-2p50\_a\_te

### THREE-PHASE 50 Hz 4-POLES MOTORS

MOTOR TYPE			INPUT CURRENT In (A)				DATA FOR 400 V 50 Hz					
kw	IEC SIZE *	CONSTRUCTION DESIGN	Δ		Y		rpm	Is / In	n %	cosφ	Cn Nm	Cs/Cn
			220-240 V	380-415 V	380-415 V	660-690 V						
0.25	71	B5	1.71	0.99	-	-	1390	3.58	62.0	0.59	1.71	3.16
0.37	71	B5	2.53	1.46	-	-	1370	3.39	61.4	0.60	2.57	3.40
0.55	90R	B14	3.03	1.75	-	-	1390	3.95	68.2	0.67	3.77	2.45
0.75	90R	B5	4.04	2.33	-	-	1395	4.06	70.1	0.66	5.13	2.73
1.1	90	B5	4.35	2.51	-	-	1415	4.65	78.0	0.81	7.42	2.15
1.5	90	B5	5.85	3.38	-	-	1420	4.99	79.9	0.80	10.1	2.26
2.2	100	B5	8.28	4.78	-	-	1410	5.53	81.4	0.82	14.9	2.52
3	100	B5	11.0	6.37	-	-	1425	6.03	82.5	0.82	20.1	2.53
4	112	B5	-	-	8.38	4.84	1440	5.81	84.8	0.81	26.5	2.50
5.5	132	B14	-	-	11.3	6.52	1445	5.98	85.8	0.82	36.3	2.60
7.5	132	B14	-	-	15.2	8.78	1450	6.70	88.1	0.81	49.3	3.17

\* R = Reduced size of motor casing as compared to shaft extension and flange.

fhe-mott-4p50\_a\_te





## STANDARD MOTOR ELECTRICAL SPECIFICATIONS FHS - FHF SERIES

### THREE-PHASE 50 Hz 2-POLES MOTORS

MOTOR TYPE				INPUT CURRENT				DATA FOR 400 V 50 Hz					
kW	IEC SIZE *	CONSTRUCTION		In (A)				rpm	Is / In	n %	cosφ	Cn Nm	Cs/Cn
		FHS	FHF	Δ	Y	Δ	Y						
				220-240 V	380-415 V	380-415 V	660-690 V						
0.75	80R	B5	-	3.50	2.02	-	-	2855	5.81	74.3	0.72	2.51	3.76
0.75	80	-	B3	3.72	2.15	-	-	2915	8.23	77.7	0.65	2.45	5.20
1.1	80	B5	B3	4.52	2.61	-	-	2875	6.78	78.9	0.77	3.65	3.49
1.5	90R	B5	-	5.98	3.45	-	-	2875	7.04	80.1	0.78	4.98	3.83
1.5	90	-	B3	5.66	3.27	-	-	2875	6.40	76.5	0.87	4.98	2.71
2.2	90R	B5	-	8.71	5.03	-	-	2860	7.32	81.1	0.78	7.34	4.12
2.2	90	-	B3	8.02	4.63	-	-	2870	6.94	80.0	0.86	7.32	2.85
3	100R	B5	-	10.8	6.22	-	-	2845	6.81	80.4	0.87	10.1	3.00
3	100	-	B3	10.6	6.10	-	-	2895	6.53	83.6	0.85	9.89	3.34
4	112R	B5	-	-	-	8.14	4.70	2900	7.86	83.5	0.85	13.2	2.86
4	112	-	B3	-	-	8.21	4.74	2915	7.41	82.2	0.86	13.1	2.58
5.5	132R	B5	-	-	-	11.0	6.35	2910	7.71	84.5	0.85	18.0	2.66
5.5	132	-	B3	-	-	10.7	6.18	2905	6.53	84.4	0.88	18.1	2.39
7.5	132R	B5	-	-	-	14.6	8.43	2910	7.62	87.2	0.85	24.6	3.03
7.5	132	-	B3	-	-	14.4	8.31	2915	7.37	85.8	0.88	24.6	2.69
11	160	B35	B3	-	-	21.6	12.5	2925	6.83	82.4	0.89	35.9	2.97
15	160	B35	B3	-	-	28.6	16.5	2940	8.56	85.3	0.89	48.7	3.10
18.5	160	B35	B3	-	-	34.2	19.7	2945	8.80	87.3	0.90	60.0	4.06
22	180R	B35	-	-	-	40.3	23.3	2945	8.61	89.5	0.88	71.2	4.79
22	180	-	B3	-	-	42.0	24.2	2930	7.10	90.0	0.84	71.0	2.50
30	200	B35	B3	-	-	55.0	31.8	2945	6.80	90.5	0.87	97.0	2.40
37	200	B35	B3	-	-	67.0	38.7	2940	7.20	91.5	0.87	120	2.50
45	225	B35	B3	-	-	81.0	46.8	2955	6.70	91.3	0.88	145	2.40
55	250	B35	B3	-	-	98.0	56.6	2960	6.70	92.1	0.88	177	2.40

\* R = Reduced size of motor casing as compared to shaft extension and flange.

fhs-fhf-mott-2p50\_a\_te

### THREE-PHASE 50 Hz 4-POLES MOTORS

MOTOR TYPE				INPUT CURRENT				DATA FOR 400 V 50 Hz					
kW	IEC SIZE *	CONSTRUCTION		In (A)				rpm	Is / In	n %	cosφ	Cn Nm	Cs/Cn
		FHS	FHF	Δ	Y	Δ	Y						
				220-240 V	380-415 V	380-415 V	660-690 V						
0.25	71	-	B3	1.71	0.99	-	-	1390	3.58	62.0	0.59	1.71	3.16
0.37	71	-	B3	2.53	1.46	-	-	1370	3.39	61.4	0.6	2.57	3.40
0.55	80	B5	B3	3.03	1.75	-	-	1390	3.95	68.2	0.67	3.77	2.45
0.75	80	B5	B3	4.04	2.33	-	-	1395	4.06	70.1	0.66	5.13	2.73
1.1	90	B5	B3	4.35	2.51	-	-	1415	4.65	78.0	0.81	7.42	2.15
1.5	90	B5	B3	5.85	3.38	-	-	1420	4.99	79.9	0.8	10.1	2.26
2.2	100	B5	B3	8.28	4.78	-	-	1410	5.53	81.4	0.82	14.9	2.52
3	100	B5	B3	11.0	6.37	-	-	1425	6.03	82.5	0.82	20.1	2.53
4	112	B5	B3	-	-	8.38	4.84	1440	5.81	84.8	0.81	26.5	2.50
5.5	132	B5	B3	-	-	11.3	6.52	1445	5.98	85.8	0.82	36.3	2.60
7.5	132	B5	B3	-	-	15.2	8.78	1450	6.70	88.1	0.81	49.3	3.17
11	160	B5	-	-	-	22.5	13.0	1460	5.20	87.0	0.81	72.0	2.00
15	160	B5	-	-	-	30.4	17.6	1460	5.90	88.0	0.81	96.0	2.30
18.5	180	B5	-	-	-	37.1	21.4	1465	6.20	88.0	0.82	120	2.30
22	180	B5	-	-	-	42.6	24.6	1465	6.30	89.0	0.84	143	2.40
30	200	B5	-	-	-	57.3	33.1	1465	6.60	90.0	0.84	195	2.40

\* R = Reduced size of motor casing as compared to shaft extension and flange.

fhs-fhf-mott-4p50\_a\_te





**FHE - FHS - FHF SERIES  
HYDRAULIC PERFORMANCE TABLE 50 Hz, 4 POLES**

PUMP TYPE	POWER		Q = DELIVERY																			
			l/min	0	50	75	100	125	150	175	200	250	300	400	500	600	800	1000	1200	1400	1600	1800
			m³/h	0	3	4,5	6	7,5	9	10,5	12	15	18	24	30	36	48	60	72	84	96	108
		H = TOTAL HEAD METERS COLUMN OF WATER																				
		kW	HP																			
32-125/02A	0,25	0,33	4,4	4,2	3,9	3,5	3,1	2,5	1,9													
32-125/02	0,25	0,33	5,5	5,2	5	4,7	4,3	3,8	3,1	2,4												
32-160/02	0,25	0,33	6,5	6,1	5,8	5,4	4,9	4,3	3,6	2,8												
32-160/03	0,37	0,5	8,5	8	7,7	7,3	6,9	6,3	5,7	4,9												
32-200/03	0,37	0,5	9,9	9,2	8,7	8,1	7,4	6,7	5,9	5												
32-200/05	0,55	0,75	12,5	11,9	11,3	10,7	10,1	9,3	8,4	7,5	5,4											
32-250/07	0,75	1	19,4	18,5	17,7	16,7	15,5	13,8	11,7	9												
32-250/11	1,1	1,5	22,5	21,6	20,8	19,9	18,6	17	15	12,5												
40-125/02A	0,25	0,33	4				3,9	3,8	3,6	3,4	2,9	2,2										
40-125/02	0,25	0,33	5,1				4,9	4,7	4,5	4,3	3,8	3,1										
40-125/03	0,37	0,5	6,3				6	5,8	5,6	5,4	4,9	4,2	2,3									
40-160/03	0,37	0,5	7,4				6,9	6,7	6,4	6,1	5,4	4,6										
40-160/05	0,55	0,75	9,1				8,7	8,5	8,2	7,9	7,2	6,3	4,3									
40-200/07	0,75	1	11,6				11	10,8	10,5	10,2	9,4	8,4										
40-200/11	1,1	1,5	14,1				13,4	13,2	12,9	12,6	11,8	10,8	8,3									
40-250/11	1,1	1,5	15				14	13,7	13,3	13	12,2	11,2	8,5									
40-250/15	1,5	2	17,5				16,5	16,2	15,8	15,5	14,6	13,5	10,8									
40-250/22	2,2	3	21				19,7	19,3	19	18,5	17,6	16,6	14	10,6								
40-125/03A	0,37	0,5	4,3							4,2	4,1	3,9	3,4	2,7	1,8							
50-125/03	0,37	0,5	5							4,8	4,6	4,4	3,9	3,3	2,4							
50-125/05	0,55	0,75	5,9							5,8	5,7	5,5	5,1	4,4	3,5							
50-160/07	0,75	1	7,9							7,8	7,6	7,4	6,8	5,8	4,7							
50-160/11	1,1	1,5	9,7							9,5	9,3	9,1	8,5	7,6	6,5							
50-200/11	1,1	1,5	12,1							11,6	11,3	10,9	9,9	8,6	7,1							
50-200/15	1,5	2	13,9							13,3	13	12,6	11,6	10,2	8,6							
50-250/22A	2,2	3	16,5							16,2	16	15,6	14,6	13,2	11,4							
50-250/22	2,2	3	18,6							18	17,8	17,4	16,5	15,2	13,4							
50-250/30	3	4	21							20,5	20,3	20	19	17,8	16,2	11,8						
65-125/05	0,55	0,75	4,6										4,1	3,8	3,4	2,5						
65-125/07	0,75	1	5,6										5,1	4,9	4,5	3,7	2,6					
65-125/11	1,1	1,5	6,6										6,3	6,1	5,9	5,2	4,2					
65-160/11	1,1	1,5	8										7,6	7,3	7	6	4,8	3,4				
65-160/15	1,5	2	8,8										8,5	8,3	8	7,1	6	4,6				
65-160/22	2,2	3	10,3										10,1	9,8	9,5	8,8	7,8	6,5	5			
65-200/15	1,5	2	10										10	9,6	9,1	7,9	6,4	4,6				
65-200/22	2,2	3	12,4										12,5	12,2	11,8	10,7	9,3	7,6				
65-200/30	3	4	14,4										14,5	14,3	13,8	12,7	11,3	9,6	7,5			
65-250/30	3	4	15,4										15	14,6	13,9	12	9,7	6,7				
65-250/40	4	5,5	19										18,8	18,3	17,8	15,7	14,4	11,7				
65-250/50	5,5	7,5	22,3										21,7	21,3	20,9	19,5	17,7	15,1	12			
65-315/75	7,5	10	30,8												30	29,8	28,8	27,6	25,8	23,3	19,7	
65-315/110	11	15	36,2												35,7	35,5	34,7	33,5	31,8	29,8	31,8	23

FH



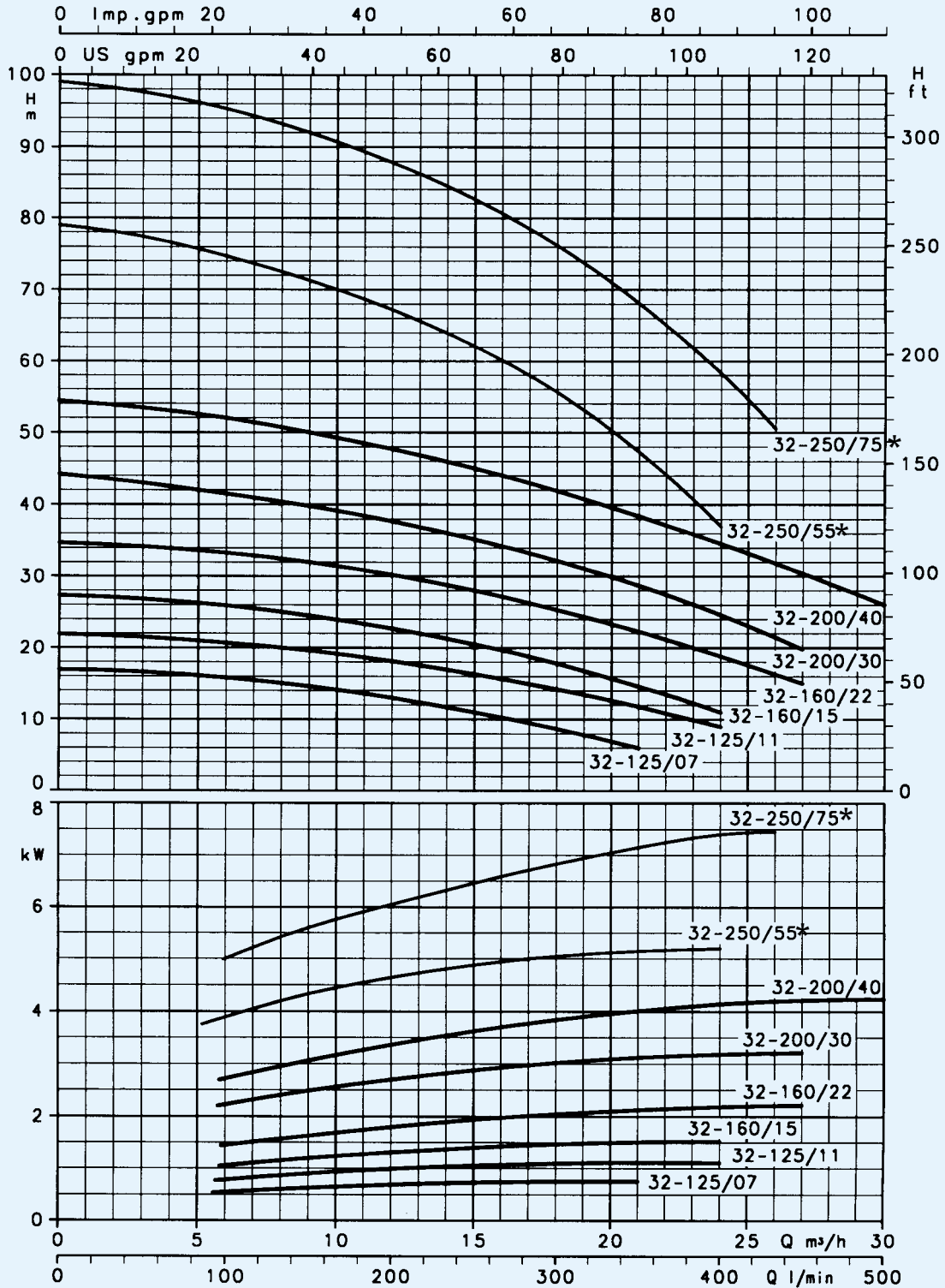
**FHE - FHS - FHF SERIES  
HYDRAULIC PERFORMANCE TABLE 50 Hz, 4 POLES**

PUMP TYPE	POWER		Q = DELIVERY																				
			l/min	0	600	800	1000	1200	1600	1800	2200	2500	2900	3400	2900	4400	5200	6000	6800	7800	8900	10000	
			m³/h	0	36	48	60	72	96	108	132	150	174	204	234	264	312	360	408	468	534	600	
		H = TOTAL HEAD METERS COLUMN OF WATER																					
		kW	HP																				
80-160/15	1,5	2	7,2	7,4	7	6,4	5,5	3,5	2,3														
80-160/22	2,2	3	8,5	8,8	8,5	8	7,4	5,7	4,5														
80-200/30	3	4	11,2	11,3	10,8	10,1	9,2	6,6	5														
80-200/40	4	5,5	13,8	14,3	14	13,3	12,4	10	8,5														
80-250/40	4	5,5	16,5	16,4	15,8	14,8	13,2	9	6,3														
80-250/55	5,5	7,5	19,8	19,9	19,3	18,4	17,2	13,5	11,1														
80-250/75	7,5	10	23,6	24,8	23,3	22,5	21,3	18,1	16	11,3													
80-315/110	11	15	31,5		30,7	30	29	26,3	24,7	19,8	14,2												
80-315/150	15	20	38,3		37,8	37,2	36,4	33,8	32,2	27,8	23,8	16,3											
100-160/30	3	4	9				8,2	7,5	7,1	5,8	4,9												
100-200/40	4	5,5	12,4				11,5	10,4	9,8	7,8	6,2												
100-200/55	5,5	7,5	15				14,3	13,5	13	11,3	10	7,7											
100-250/75	7,5	10	21				20	18,8	18	15,7	13,8	10											
100-250/110	11	15	27				26,2	25,3	24,5	22,5	20,7	17,8	13										
100-315/150	15	20	31,2				30,2	29	28,2	26	24,3	21,2	16,2										
100-315/185	18,5	25	34,8				34	33	32,3	30,5	29	26,2	21,7	16									
100-315/220	22	30	38,8				37,8	37	36,3	34,6	33,3	30,8	26,8	21,5	15,3								
125-200/55	5,5	7,5	11							8,8	8,2	7,5	6,3	5,2	3,7								
125-200/75	7,5	10	15							12,8	12,3	11,6	10,3	9	7,3								
125-250/110	11	15	19,4							18	17,3	16	14,2	12,2	9,7	5,4							
125-250/150	15	20	23,4							22,4	22	21	19,3	17,3	15	10,8							
125-250/185	18,5	25	26							25,2	24,8	24,2	22,8	21,3	19,2	15,3	11						
125-315/220	22	30	30,6							29,3	28,8	27,8	26,3	24,3	21,8	17,2	11						
125-315/300	30	40	36,3							35,5	35	34,3	32,8	31,3	29,2	25	19,3	12,5					
150-250/150	15	20	18,3									17,3	16,7	16	15	13,3	11,6	9,5	6,6				
150-250/185	18,5	25	21,5									20,7	20	19,5	18,7	17,2	15,3	13,3	10,4	6,5			
150-250/220	22	30	24									23,3	22,7	22,2	21,4	20	18,3	16,4	13,5	9,8			
150-250/300	30	40	25,5									24,8	24,4	23,8	23	21,7	20,3	18,3	15,4	11,7			
150-315/300	30	40	30,4									29,5	28,8	28,3	27,4	25,8	28,8	21,4	18	14	8,5		





**FH 32 SERIES  
OPERATING CHARACTERISTICS at 2900 rpm 50 Hz, 2 POLES**



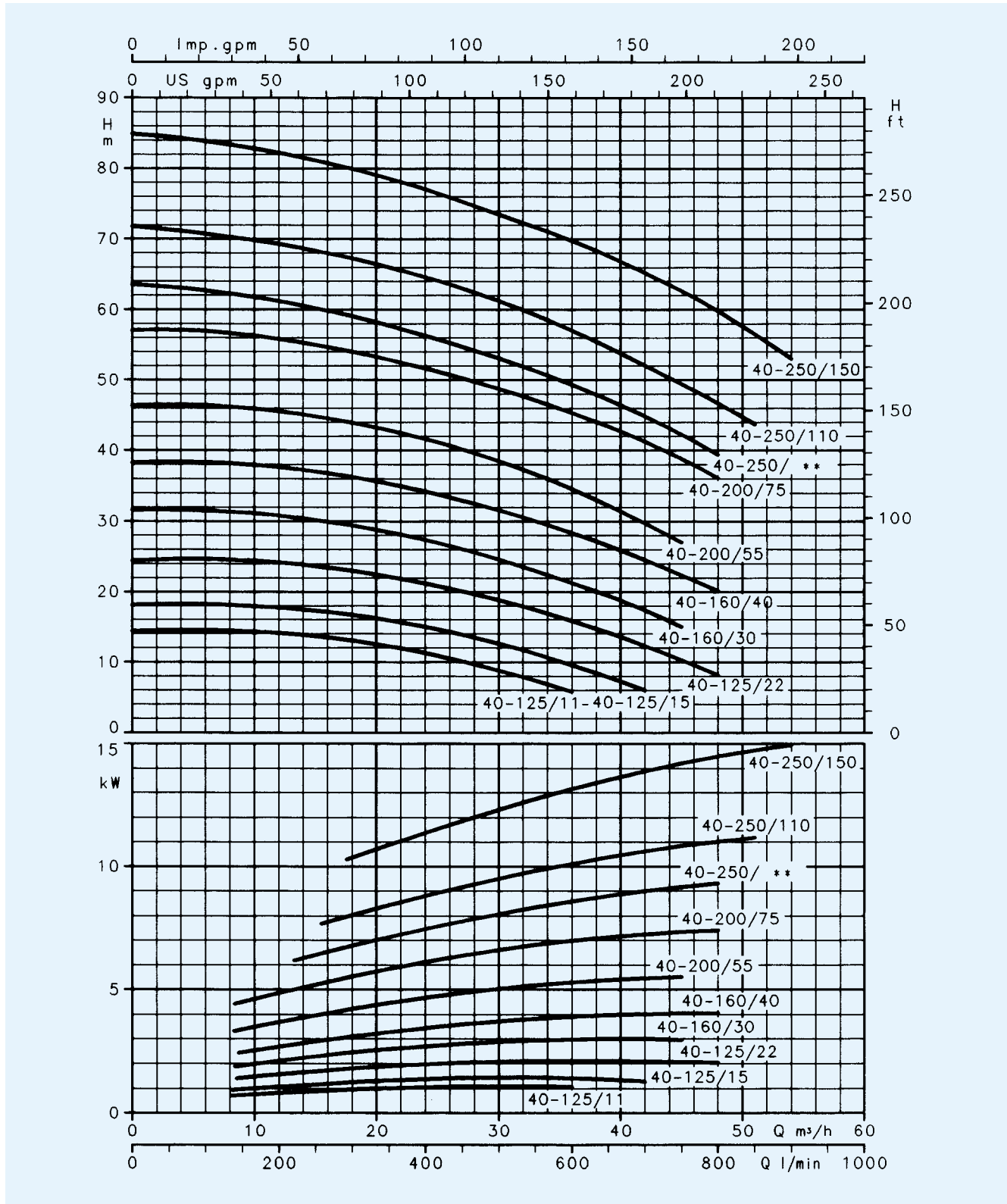
\* 2FHE Version

Please verify with the price list the availability of model type FHE-FHS-FHF  
These performances are valid for liquids with density  $\rho = 1.0 \text{ kg/dm}^3$  and kinematic viscosity  $\gamma = 1 \text{ mm}^2/\text{sec}$ .

FH



**FH 40 SERIES  
OPERATING CHARACTERISTICS at 2900 rpm 50 Hz, 2 POLES**



\*\* /92 - 9,2 - 12,5HP for version FHE - /110A - 11kW - 15HP for version FHS-FHF

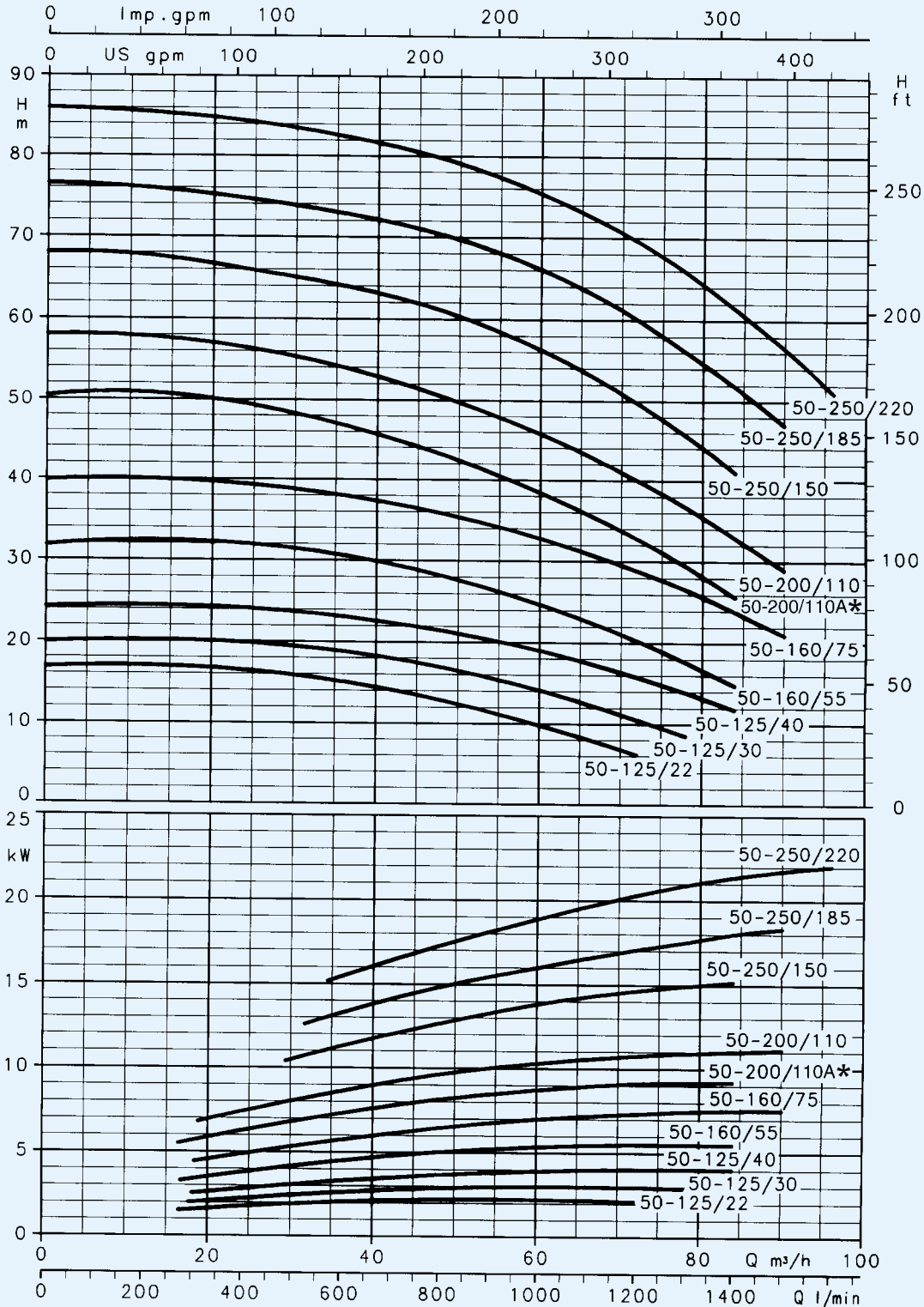
Please verify with the price list the availability of model type FHE-FHS-FHF  
These performances are valid for liquids with density  $\rho = 1.0 \text{ kg/dm}^3$  and kinematic viscosity  $\gamma = 1 \text{ mm}^2/\text{sec}$ .







**FH 50 SERIES**  
**OPERATING CHARACTERISTICS at 2900 rpm 50 Hz, 2 POLES**



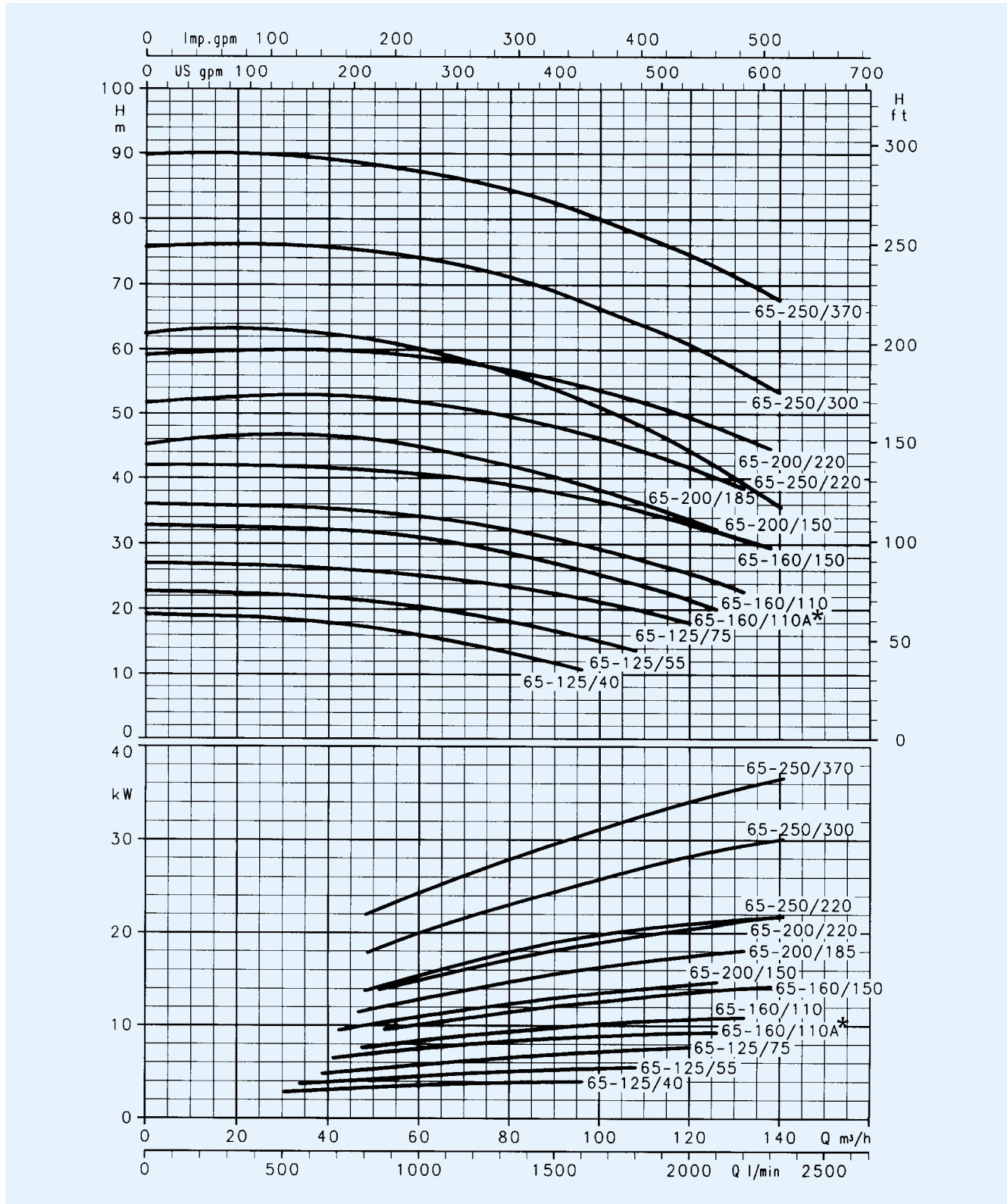
\* /92 - 9,2 kW - 12,5 HP for version FHE - /110A - 11 kW - 15 HP for version FHS-FHF

Please verify with the price list the availability of model type FHE-FHS-FHF  
 These performances are valid for liquids with density  $\rho = 1.0 \text{ kg/dm}^3$  and kinematic viscosity  $\gamma = 1 \text{ mm}^2/\text{sec}$ .

FH



**FH 65 SERIES**  
**OPERATING CHARACTERISTICS at 2900 rpm 50 Hz, 2 POLES**



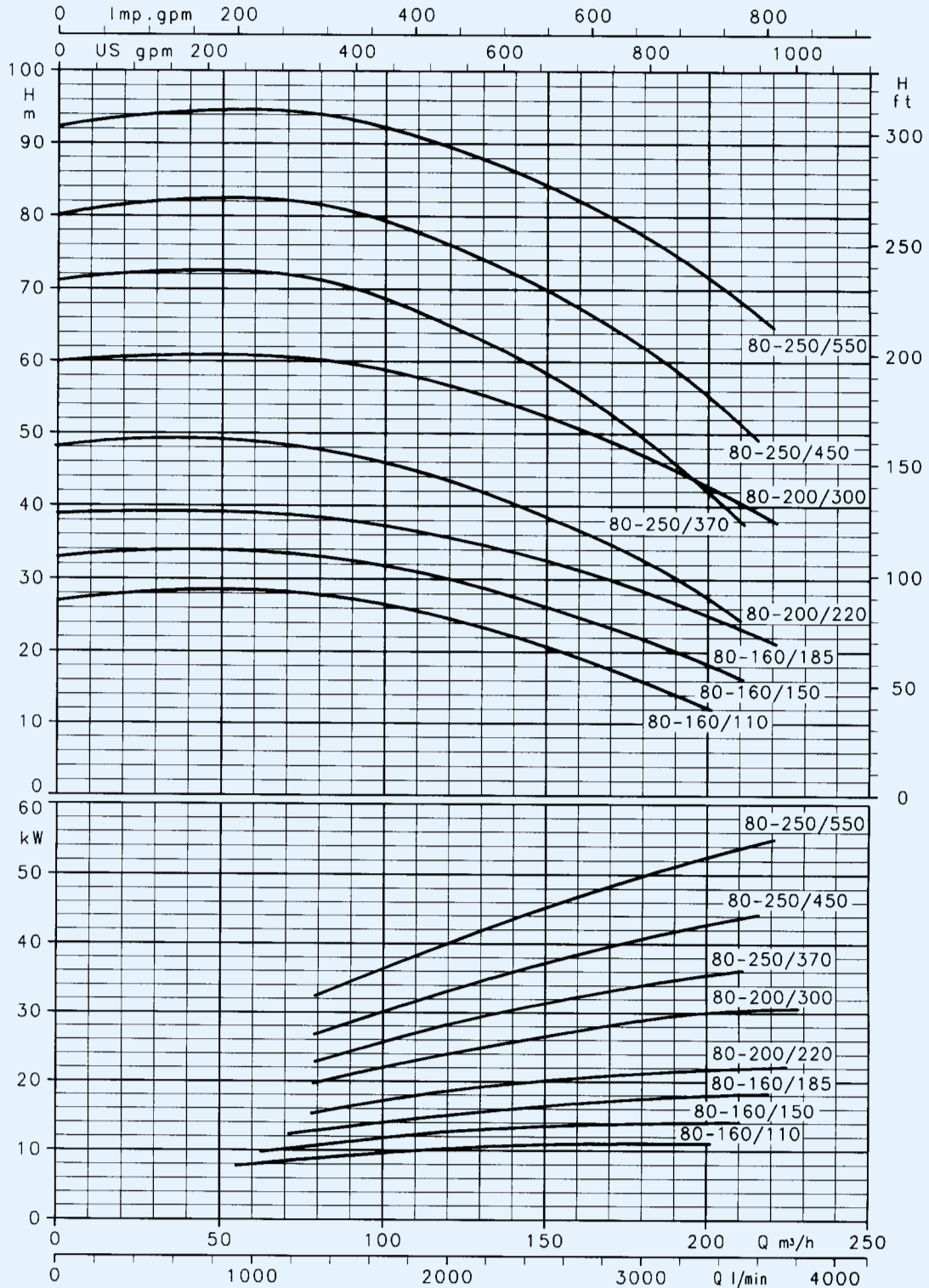
\* /92 - 9,2 kW - 12,5 HP for version FHE - /110A - 11 kW - 15 HP for version FHS-FHF

Please verify with the price list the availability of model type FHE-FHS-FHF  
 These performances are valid for liquids with density  $\rho = 1.0 \text{ kg/dm}^3$  and kinematic viscosity  $\gamma = 1 \text{ mm}^2/\text{sec}$ .





**FH 80 SERIES  
OPERATING CHARACTERISTICS at 2900 rpm 50 Hz, 2 POLES**

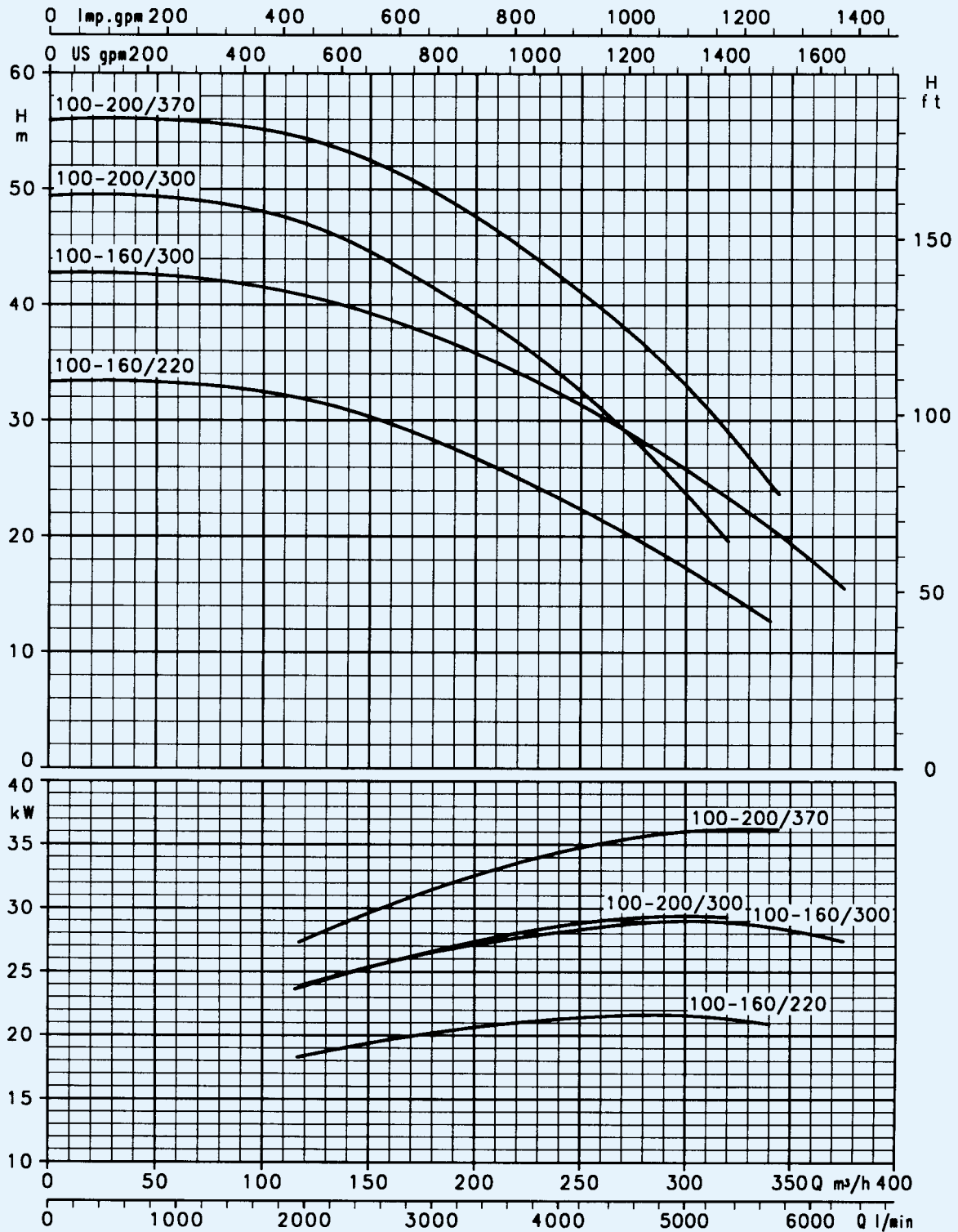


FH

Please verify with the price list the availability of model type FHE-FHS-FHF  
These performances are valid for liquids with density  $\rho = 1.0 \text{ kg/dm}^3$  and kinematic viscosity  $\gamma = 1 \text{ mm}^2/\text{sec}$ .



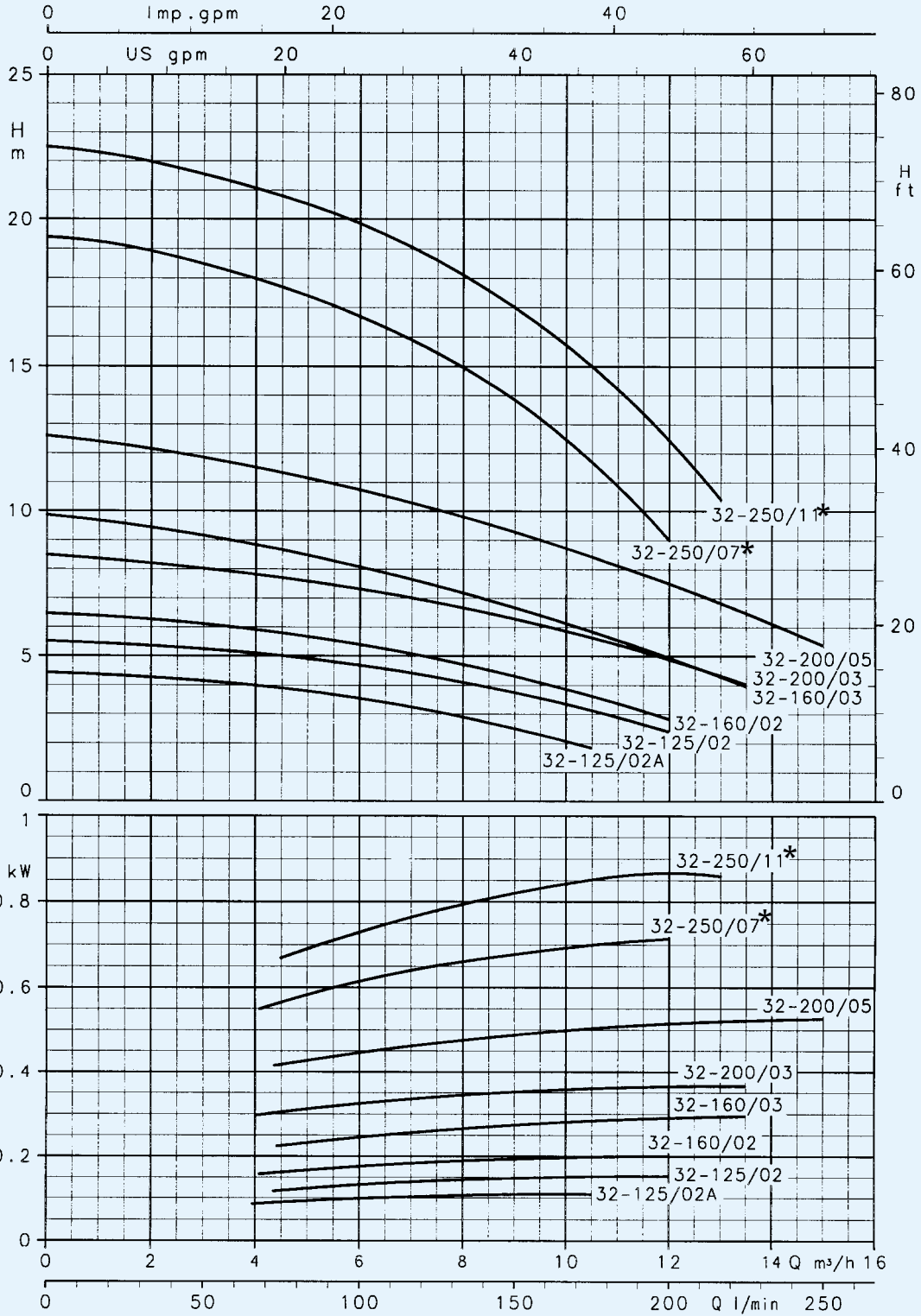
**FH 100 SERIES**  
**OPERATING CHARACTERISTICS at 2900 rpm 50 Hz, 2 POLES**



Please verify with the price list the availability of model type FHE-FHS-FHF  
 These performances are valid for liquids with density  $\rho = 1.0 \text{ kg/dm}^3$  and kinematic viscosity  $\gamma = 1 \text{ mm}^2/\text{sec}$ .



**FH4 32 SERIES  
OPERATING CHARACTERISTICS at 1450 rpm 50 Hz, 4 POLES**



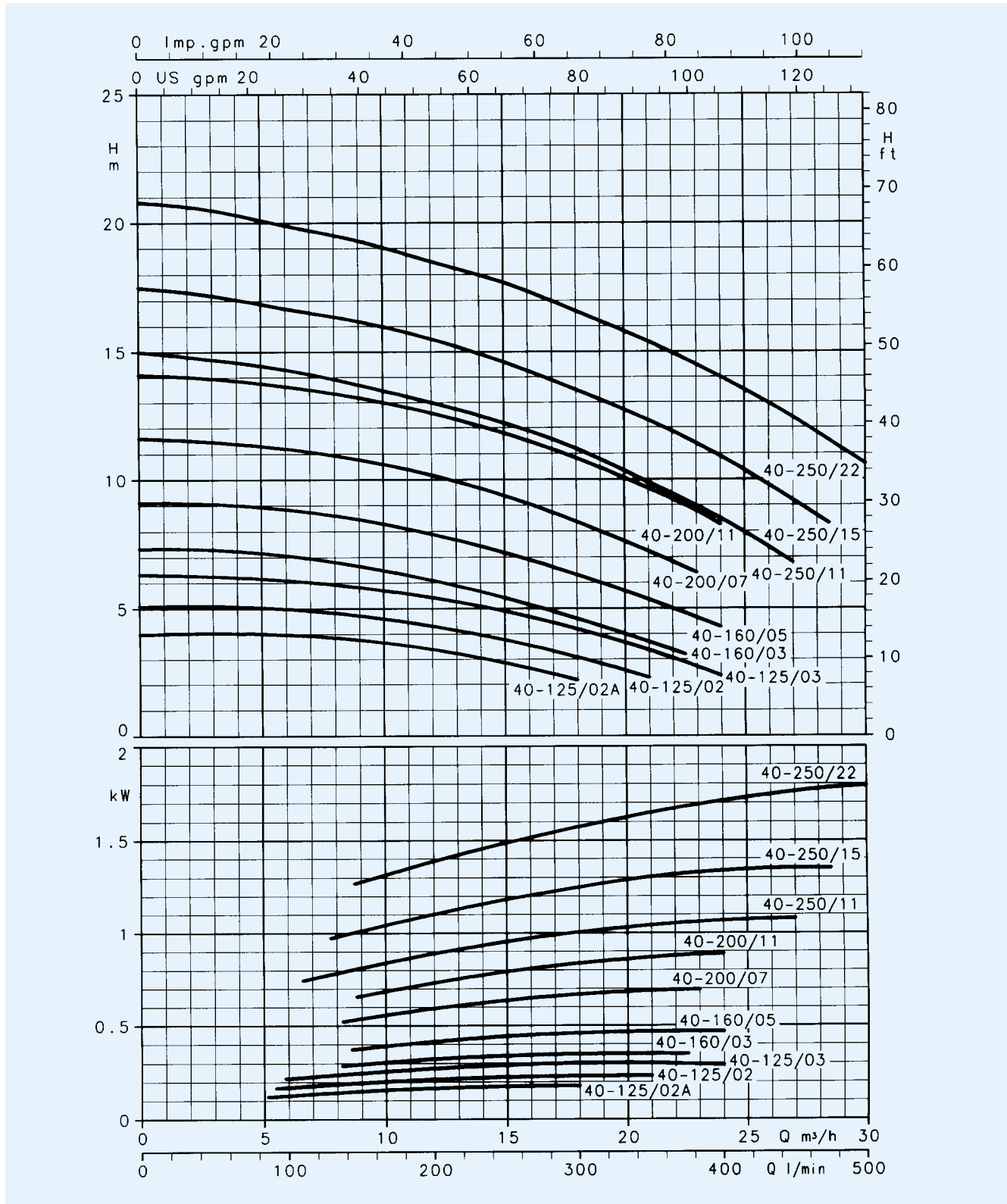
\* Version 2FHE4

Please verify with the price list the availability of model type FHE-FHS-FHF  
These performances are valid for liquids with density  $\rho = 1.0 \text{ kg/dm}^3$  and kinematic viscosity  $\gamma = 1 \text{ mm}^2/\text{sec}$ .





**FH4 40 SERIES  
OPERATING CHARACTERISTICS at 1450 rpm 50 Hz, 4 POLES**

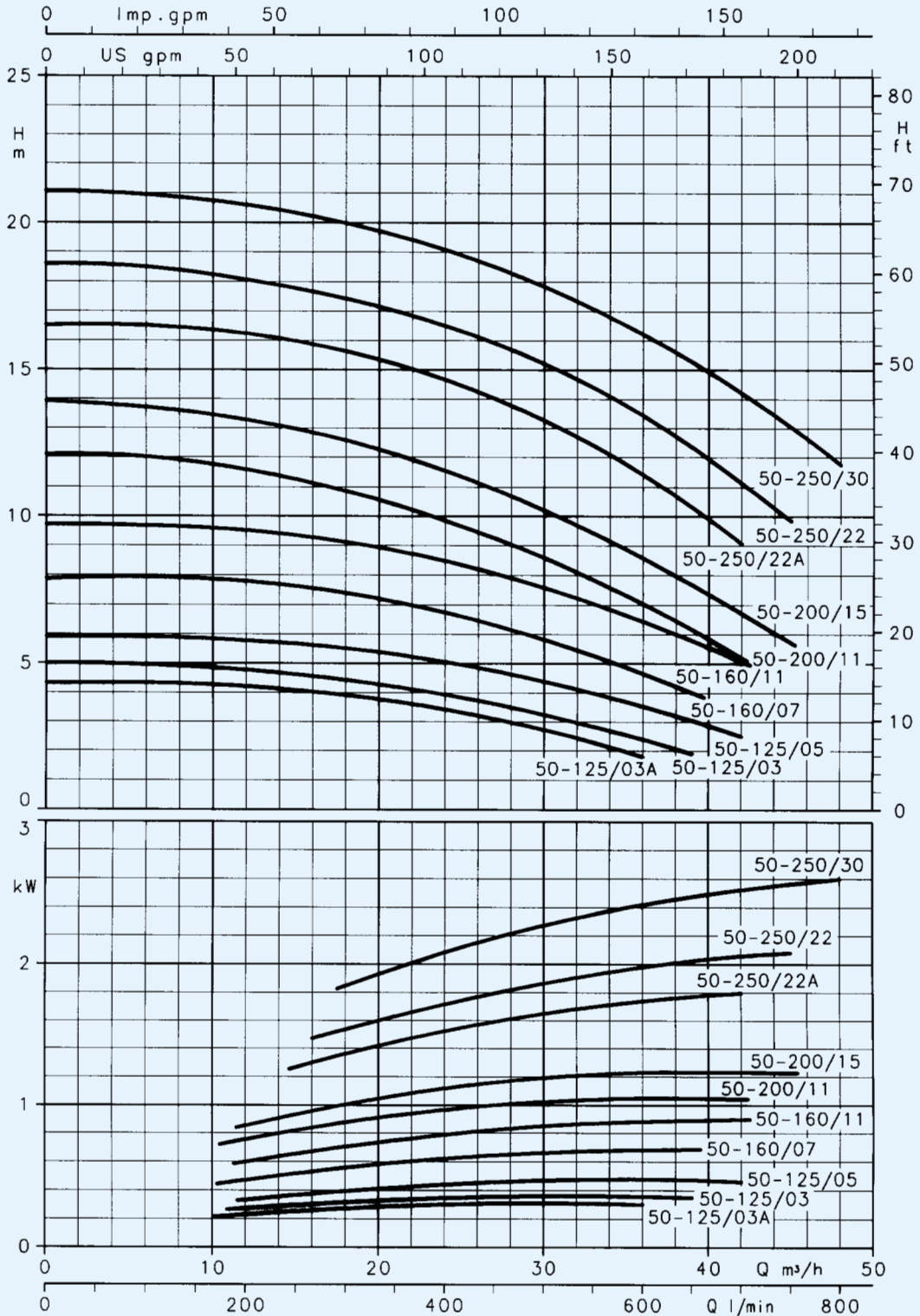


Please verify with the price list the availability of model type FHE-FHS-FHF  
 These performances are valid for liquids with density  $\rho = 1.0 \text{ kg/dm}^3$  and kinematic viscosity  $\gamma = 1 \text{ mm}^2/\text{sec}$ .





**FH4 50 SERIES  
OPERATING CHARACTERISTICS at 1450 rpm 50 Hz, 4 POLES**

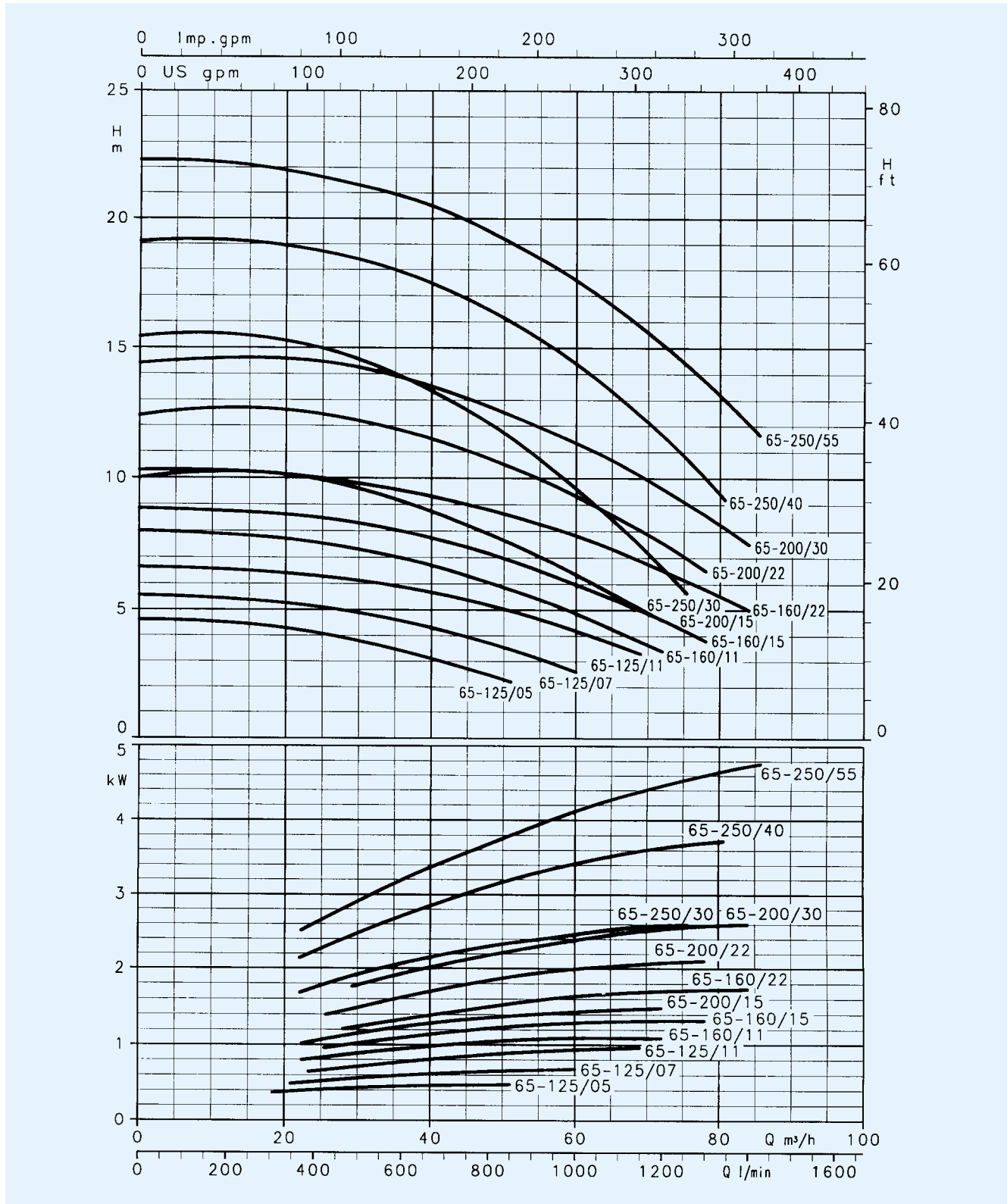


FH

Please verify with the price list the availability of model type FHE-FHS-FHF  
 These performances are valid for liquids with density  $\rho = 1.0 \text{ kg/dm}^3$  and kinematic viscosity  $\gamma = 1 \text{ mm}^2/\text{sec}$ .



**FH4 65 SERIES**  
**OPERATING CHARACTERISTICS at 1450 rpm 50 Hz, 4 POLES**



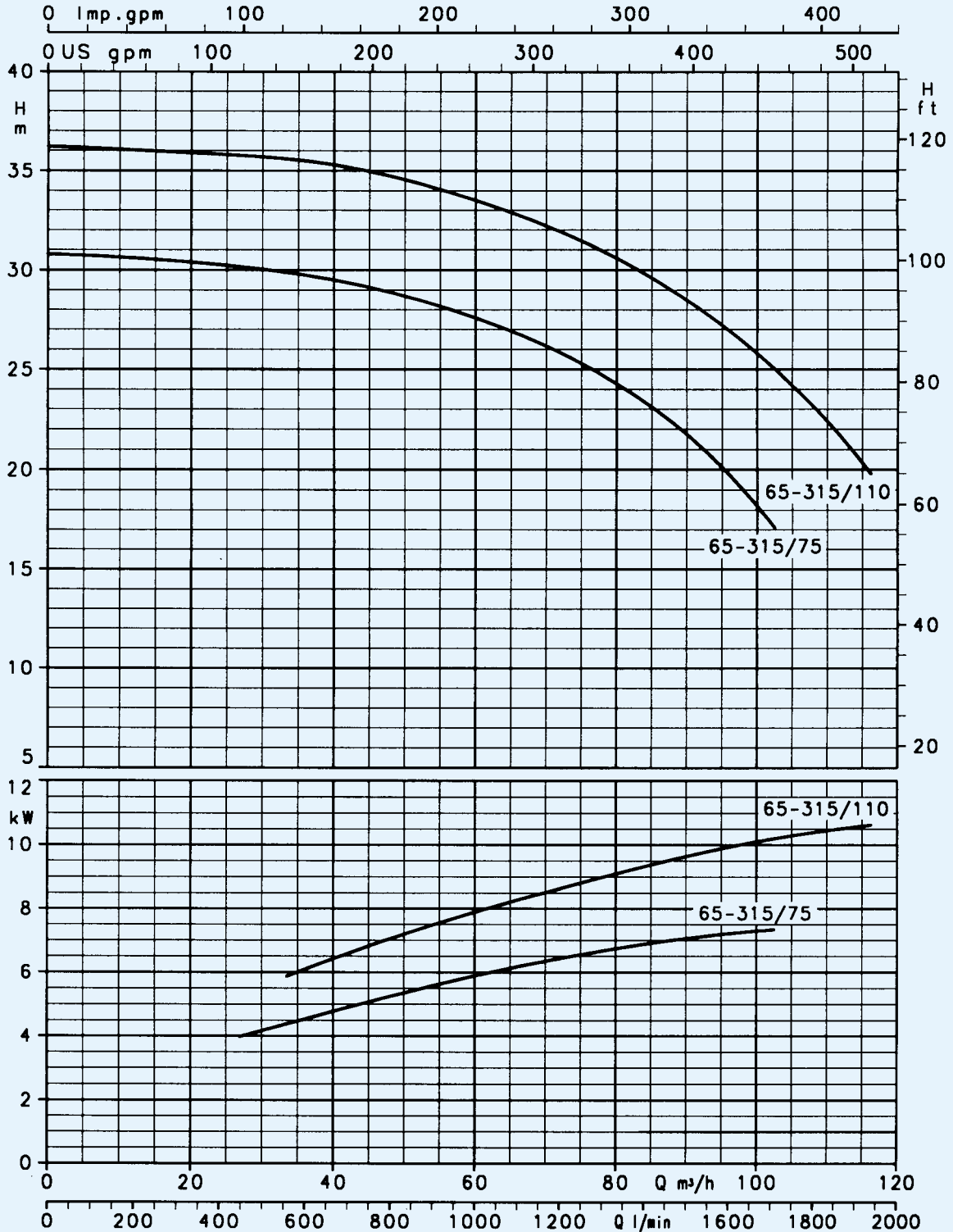
Please verify with the price list the availability of model type FHE-FHS-FHF  
 These performances are valid for liquids with density  $\rho = 1.0 \text{ kg/dm}^3$  and kinematic viscosity  $\nu = 1 \text{ mm}^2/\text{sec}$ .







**FH4 65 - 315 SERIES**  
**OPERATING CHARACTERISTICS at 1450 rpm 50 Hz, 4 POLES**



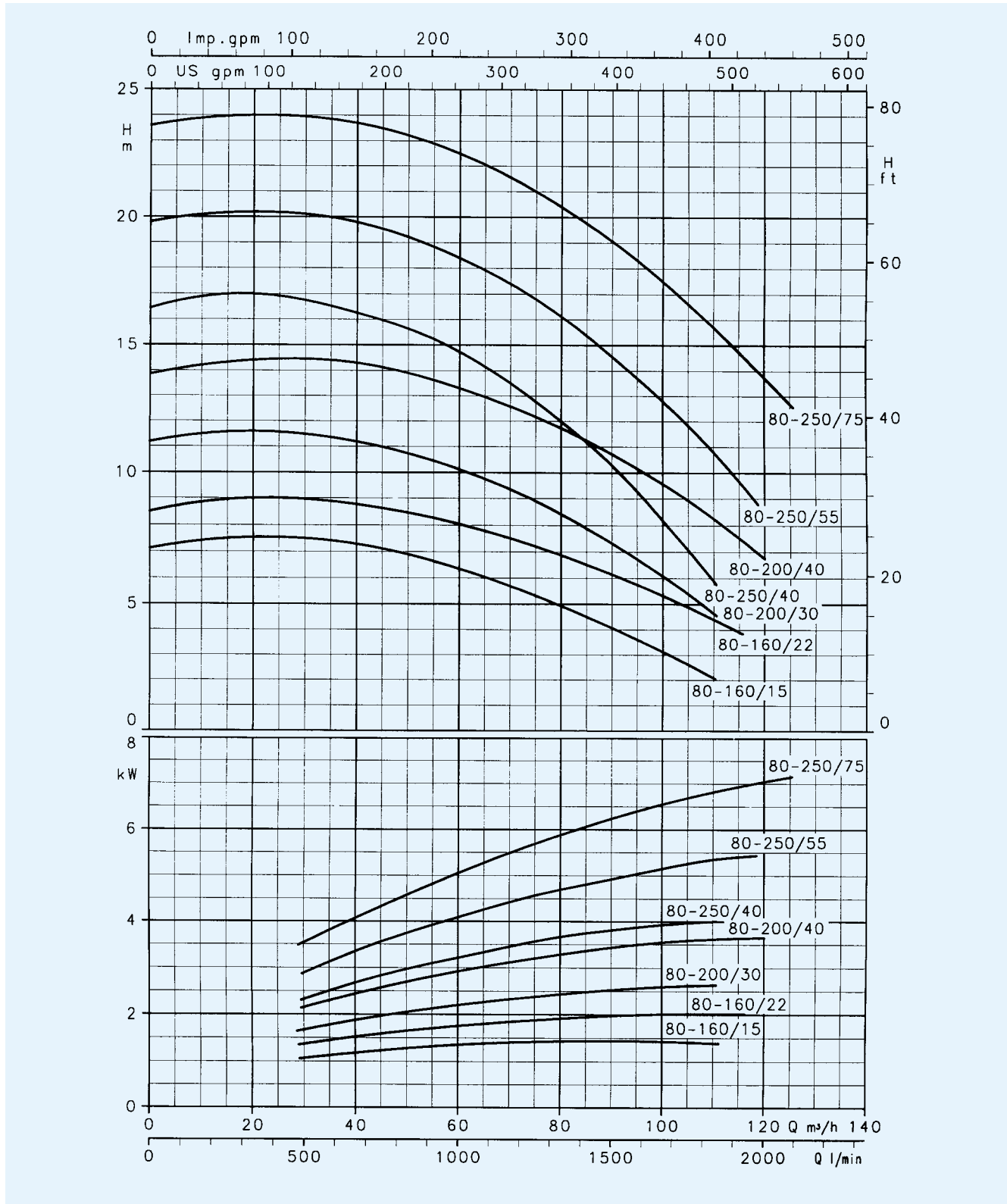
FH

Please verify with the price list the availability of model type FHE-FHS-FHF  
 These performances are valid for liquids with density  $\rho = 1.0 \text{ kg/dm}^3$  and kinematic viscosity  $\gamma = 1 \text{ mm}^2/\text{sec}$ .



**FH4 80 SERIES**

**OPERATING CHARACTERISTICS at 1450 rpm 50 Hz, 4 POLES**

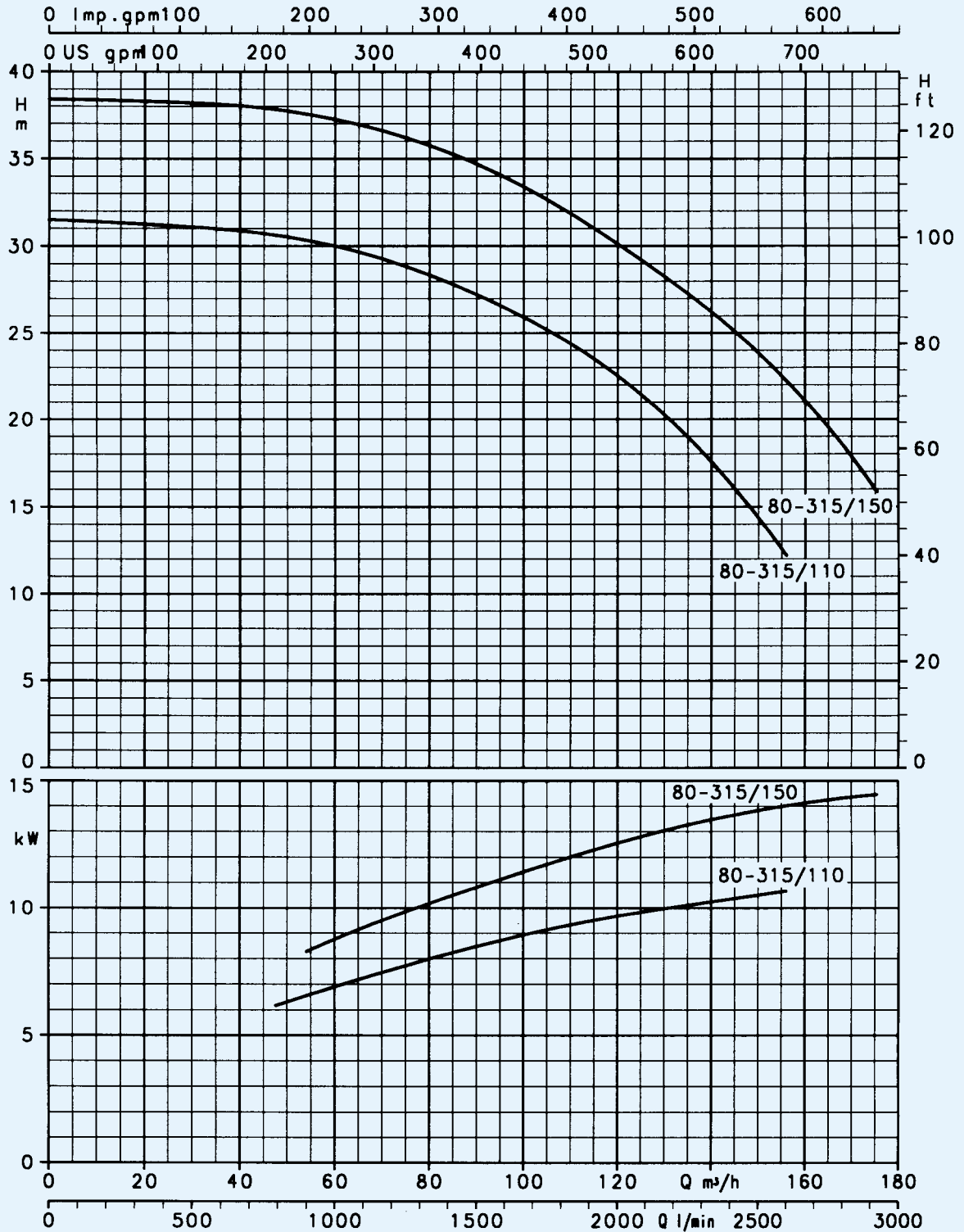


Please verify with the price list the availability of model type FHE-FHS-FHF  
 These performances are valid for liquids with density  $\rho = 1.0 \text{ kg/dm}^3$  and kinematic viscosity  $\gamma = 1 \text{ mm}^2/\text{sec}$ .





**FH4 80 - 315 SERIES**  
**OPERATING CHARACTERISTICS at 1450 rpm 50 Hz, 4 POLES**

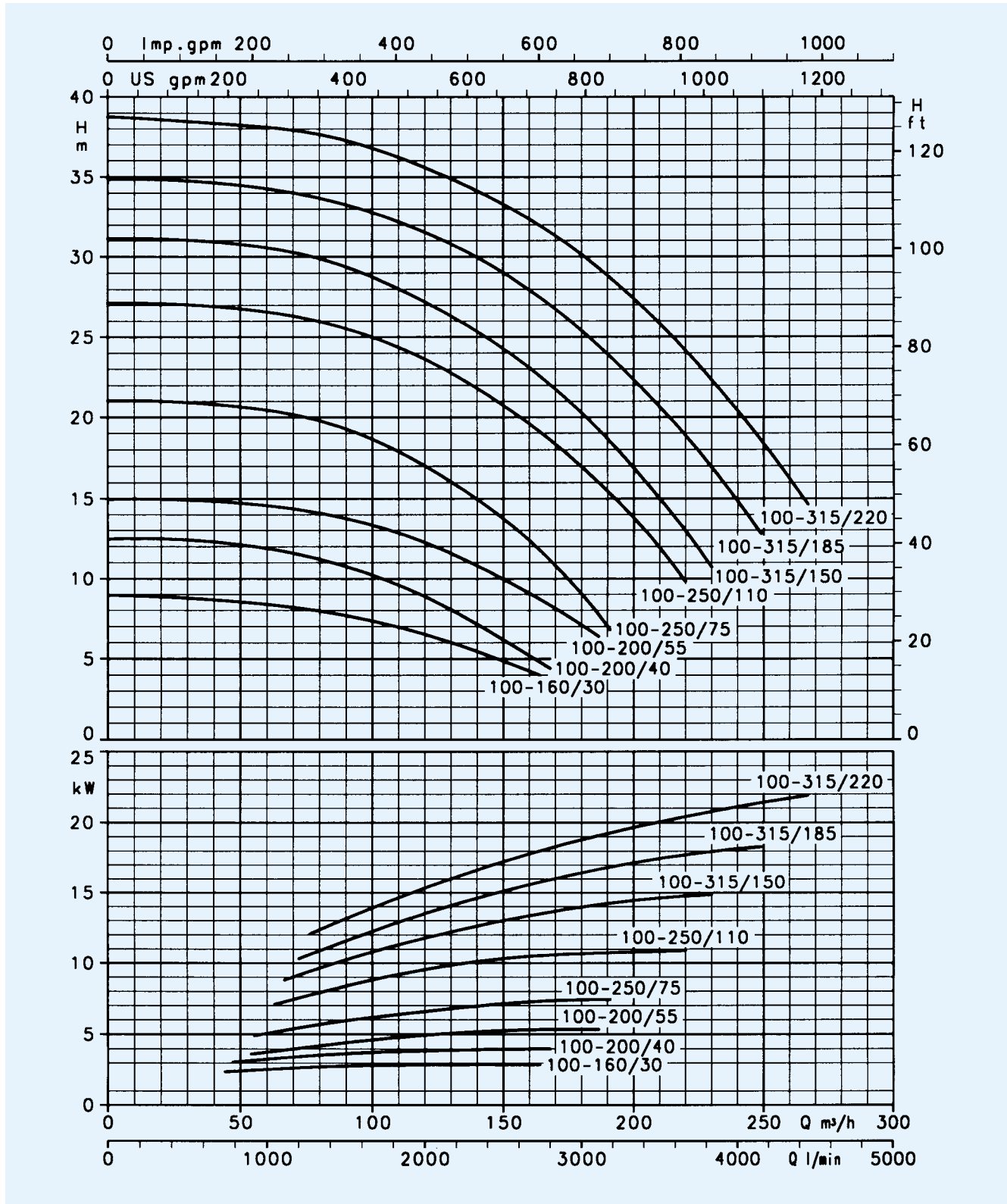


FH

Please verify with the price list the availability of model type FHE-FHS-FHF  
 These performances are valid for liquids with density  $\rho = 1.0 \text{ kg/dm}^3$  and kinematic viscosity  $\gamma = 1 \text{ mm}^2/\text{sec}$ .



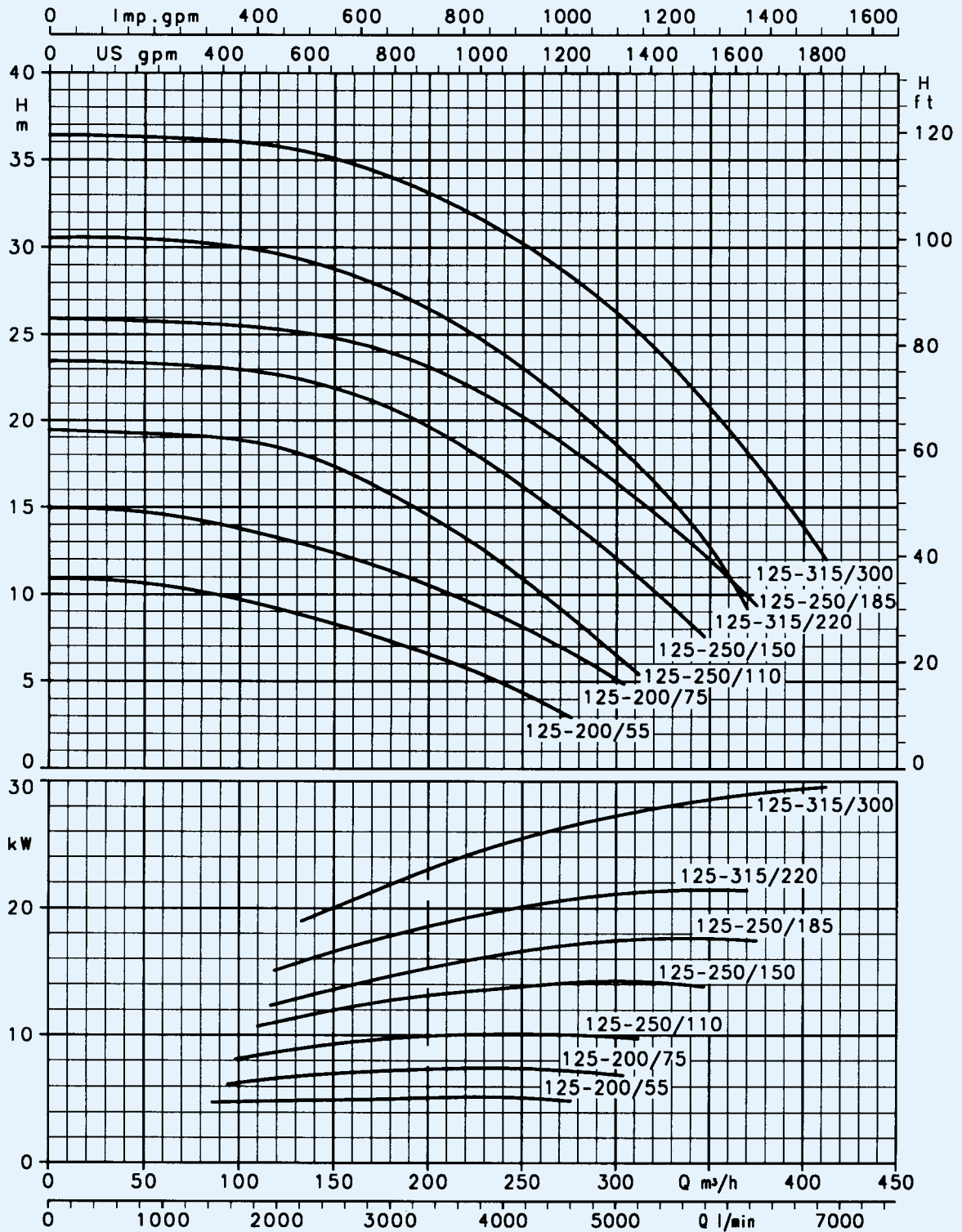
**FH4 100 SERIES  
OPERATING CHARACTERISTICS at 1450 rpm 50 Hz, 4 POLES**



Please verify with the price list the availability of model type FHE-FHS-FHF  
 These performances are valid for liquids with density  $\rho = 1.0 \text{ kg/dm}^3$  and kinematic viscosity  $\nu = 1 \text{ mm}^2/\text{sec}$ .



**FH4 125 SERIES  
OPERATING CHARACTERISTICS at 1450 rpm 50 Hz, 4 POLES**

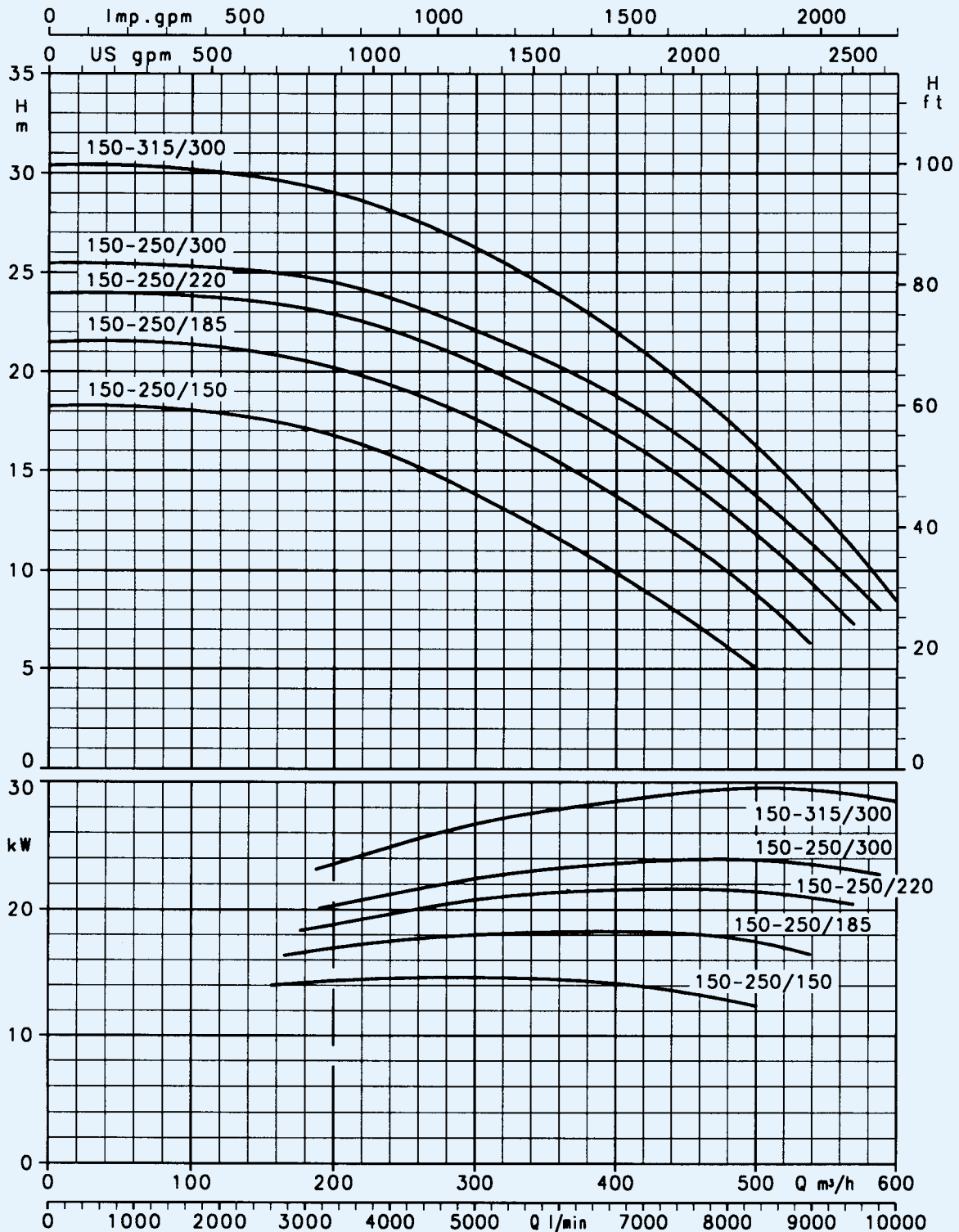


FH

Please verify with the price list the availability of model type FHE-FHS-FHF  
These performances are valid for liquids with density  $\rho = 1.0 \text{ kg/dm}^3$  and kinematic viscosity  $\gamma = 1 \text{ mm}^2/\text{sec}$ .



**FH4 150 SERIES**  
**OPERATING CHARACTERISTICS at 1450 rpm 50 Hz, 4 POLES**



Please verify with the price list the availability of model type FHE-FHS-FHF  
 These performances are valid for liquids with density  $\rho = 1.0 \text{ kg/dm}^3$  and kinematic viscosity  $\gamma = 1 \text{ mm}^2/\text{sec}$ .





**DIMENSIONS AND WEIGHTS, FHE 2 POLES SERIES**

**FHE WITH SUPPORT FOOT ON PUMP MOTORS UP TO 11 kW**

**FHE WITH SUPPORT UNDER MOTOR 15 TO 22 kW MOTORS**

**FLANGES**

DN	D	M	G	HOLES		MAX. THICKNESS
				N°	Ø	
32	140	100	78	4	18	18
40	150	110	88	4	18	18
50	165	125	102	4	18	20
65	185	145	122	4	18	20

**FLANGES**

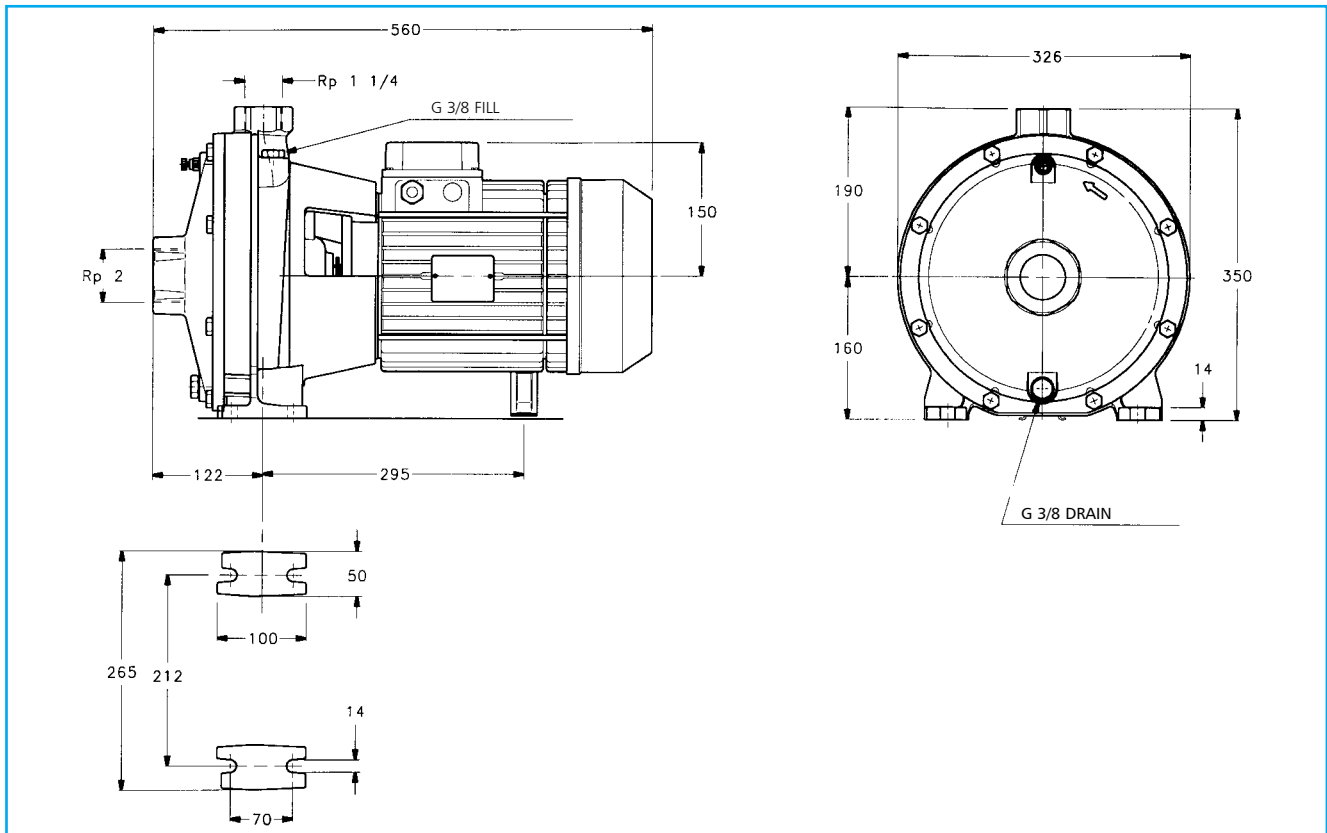
DN	D	M	G	HOLES		MAX. THICKNESS
				N°	Ø	
80	200	160	138	8	18	22
100	220	180	158	8	18	22

FH

PUMP TYPE	PUMP						SUPPORT										B	H max.	L	k	WEIGHT kg
	DNM	DNA	a	h2	w	x	b	c	c1	h1	m	m1	n	n1	s	s1					
FHE 32-125/07	32	50	80	140	235	129	50	12	-	112	100	70	190	140	14	-	233	252	443	86	27
FHE 32-125/11	32	50	80	140	235	129	50	12	-	112	100	70	190	140	14	-	233	252	443	86	28
FHE 32-160/15	32	50	80	160	235	129	50	12	-	132	100	70	240	190	14	-	235	292	443	86	31
FHE 32-160/22	32	50	80	160	235	129	50	12	-	132	100	70	240	190	14	-	235	292	443	86	34
FHE 32-200/30	32	50	80	180	283	121	50	12	-	160	100	70	240	190	14	-	285	340	461	86	43
FHE 32-200/40	32	50	80	180	290	133	50	12	-	160	100	70	240	190	14	-	285	340	487	86	49
FHE 40-125/11	40	65	80	140	235	129	50	12	-	112	100	70	210	160	14	-	233	252	443	88	30
FHE 40-125/15	40	65	80	140	235	129	50	12	-	112	100	70	210	160	14	-	233	252	443	88	31
FHE 40-125/22	40	65	80	140	235	129	50	12	-	112	100	70	210	160	14	-	233	252	443	88	33
FHE 40-160/30	40	65	80	160	283	121	50	12	-	132	100	70	240	190	14	-	250	292	461	88	36
FHE 40-160/40	40	65	80	160	290	133	50	12	-	132	100	70	240	190	14	-	250	292	487	88	42
FHE 40-200/55	40	65	100	180	311	150	50	12	-	160	100	70	265	212	14	-	285	340	553	88	59
FHE 40-200/75	40	65	100	180	311	150	50	12	-	160	100	70	265	212	14	-	285	340	553	88	64
FHE 40-250/92	40	65	100	225	278	191	65	14	-	180	125	95	320	250	14	-	335	405	604	107	91
FHE 40-250/110	40	65	100	225	278	191	65	14	-	180	125	95	320	250	14	-	335	405	604	107	99
FHE 40-250/150	40	65	100	225	208	232	50	22	20	180	260	210	318	254	13	23	335	412	688	107	123
FHE 50-125/22	50	65	100	160	235	129	50	12	-	132	100	70	240	190	14	-	255	292	463	92	37
FHE 50-125/30	50	65	100	160	285	121	50	12	-	132	100	70	240	190	14	-	255	292	481	92	39
FHE 50-125/40	50	65	100	160	292	133	50	12	-	132	100	70	240	190	14	-	255	292	507	92	45
FHE 50-160/55	50	65	100	180	313	150	50	12	-	160	100	70	265	212	14	-	285	340	553	92	68
FHE 50-160/75	50	65	100	180	313	150	50	12	-	160	100	70	265	212	14	-	285	340	553	92	72
FHE 50-200/92	50	65	100	200	280	191	50	12	-	160	100	70	265	212	14	-	305	360	604	92	81
FHE 50-200/110	50	65	100	200	280	191	50	12	-	160	100	70	265	212	14	-	305	360	604	92	86
FHE 50-250/150	50	65	100	225	208	232	50	22	20	180	260	210	318	254	13	23	340	412	688	107	123
FHE 50-250/185	50	65	100	225	208	232	50	22	20	180	304	254	318	254	13	23	340	412	732	107	135
FHE 50-250/220	50	65	100	225	208	232	50	22	20	180	304	254	318	254	13	23	340	412	732	107	149
FHE 65-125/40	65	80	100	180	292	133	65	14	-	160	125	95	280	212	14	-	285	340	507	105	64
FHE 65-125/55	65	80	100	180	313	150	65	14	-	160	125	95	280	212	14	-	285	340	553	105	72
FHE 65-125/75	65	80	100	180	313	150	65	14	-	160	125	95	280	212	14	-	285	340	553	105	76
FHE 65-160/92	65	80	100	200	278	191	65	14	-	160	125	95	280	212	14	-	331	360	604	112	95
FHE 65-160/110	65	80	100	200	278	191	65	14	-	160	125	95	280	212	14	-	331	360	604	112	103
FHE 65-160/150	65	80	100	200	208	232	50	22	-	160	260	210	318	254	13	23	331	392	688	112	127
FHE 65-200/150	65	80	100	225	208	232	50	22	20	180	260	210	318	254	13	23	335	412	688	112	127
FHE 65-200/185	65	80	100	225	208	232	50	22	20	180	304	254	318	254	13	23	335	412	732	112	139
FHE 65-200/220	65	80	100	225	208	232	50	22	20	180	304	254	318	254	13	23	335	412	732	112	153
FHE 65-250/220	65	80	100	250	208	232	50	22	40	200	304	254	318	254	13	23	332	450	732	112	159
FHE 80-160/110	80	100	125	225	278	191	65	14	-	180	125	95	320	250	14	-	332	405	629	129	109
FHE 80-160/150	80	100	125	225	208	232	50	22	20	180	260	210	318	254	13	23	332	412	713	129	133
FHE 80-160/185	80	100	125	225	208	232	50	22	20	180	304	254	318	254	13	23	332	412	757	129	145
FHE 80-200/220	80	100	125	250	208	232	50	22	20	180	304	254	318	254	13	23	332	430	757	129	159



**DIMENSIONS AND WEIGHTS, 2FHE 2 POLES SERIES**



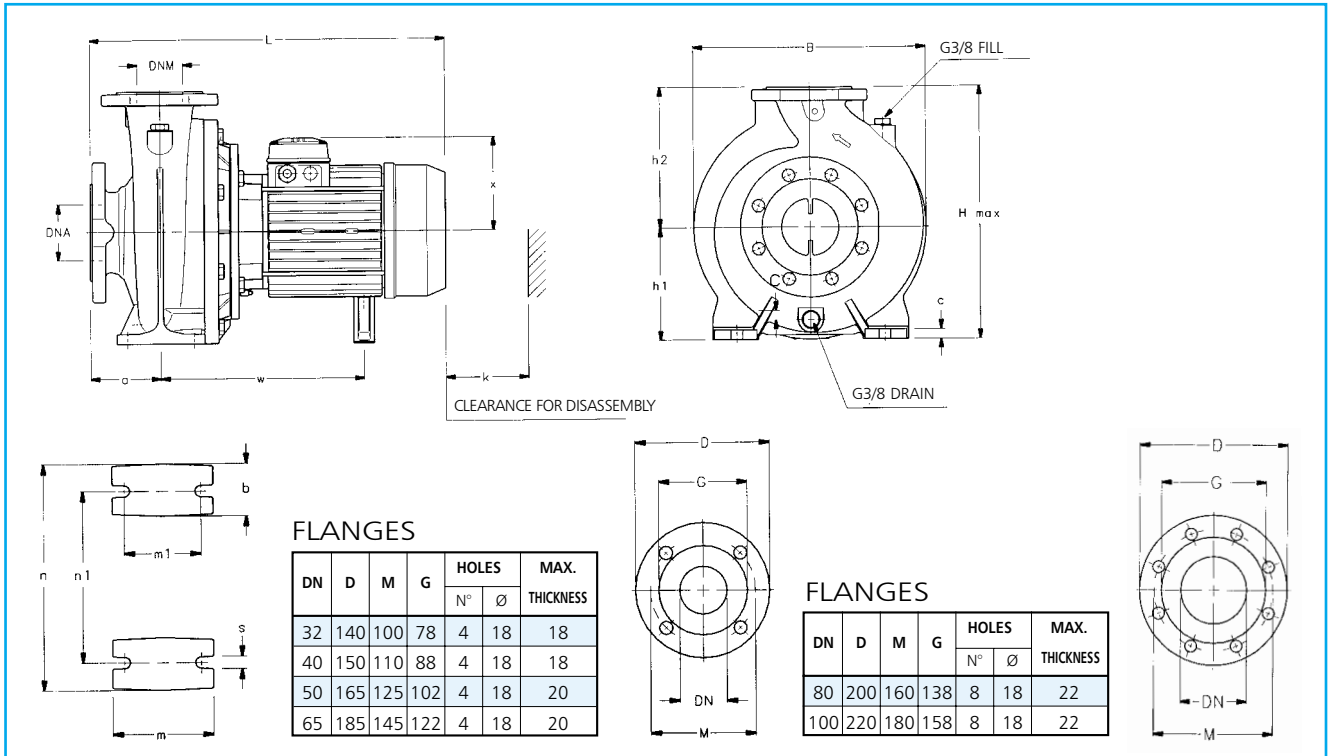
PUMP TYPE	WEIGHT kg
2FHE 32-250/55	71
2FHE 32-250/75	75







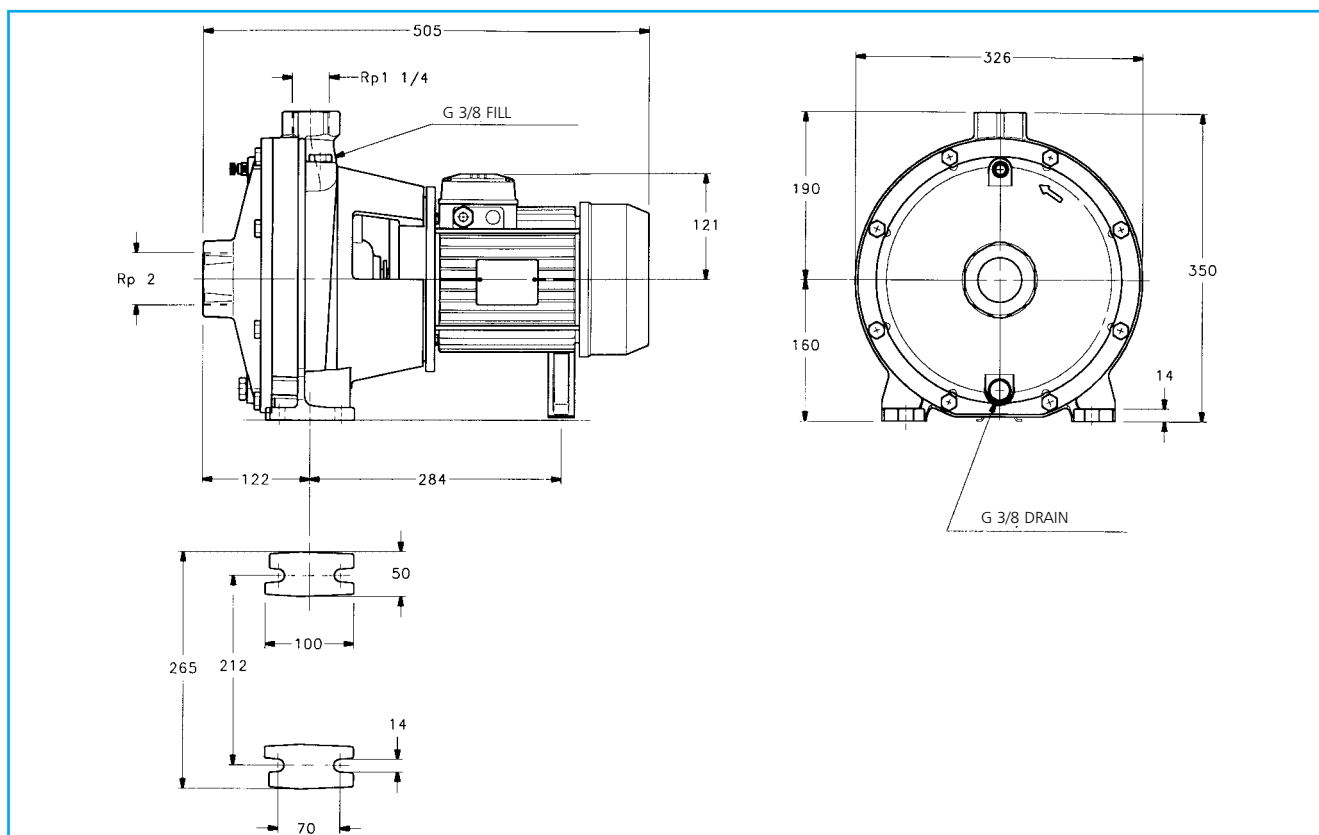
**DIMENSIONS AND WEIGHTS, FHE4 4 POLES SERIES**



**FH**

PUMP TYPE	PUMP						SUPPORT								B	H max.	L	k	WEIGHT kg
	DNM	DNA	a	h2	w	x	b	c	h1	m	m1	n	n1	s					
FHE4 32-125/02A	32	50	80	140	215	121	50	12	112	100	70	190	140	14	233	252	411	92	25
FHE4 32-125/02	32	50	80	140	215	121	50	12	112	100	70	190	140	14	233	252	411	92	25
FHE4 32-160/02	32	50	80	160	215	121	50	12	132	100	70	240	190	14	235	292	411	92	26
FHE4 32-160/03	32	50	80	160	215	121	50	12	132	100	70	240	190	14	235	292	411	92	26
FHE4 32-200/03	32	50	80	180	215	121	50	12	160	100	70	240	190	14	285	340	411	92	35
FHE4 32-200/05	32	50	80	180	235	129	50	12	160	100	70	240	190	14	285	340	443	92	37
FHE4 40-125/02A	40	65	80	140	215	121	50	12	112	100	70	210	160	14	233	252	411	94	25
FHE4 40-125/02	40	65	80	140	215	121	50	12	112	100	70	210	160	14	233	252	411	94	25
FHE4 40-125/03	40	65	80	140	215	121	50	12	112	100	70	210	160	14	233	252	411	94	25
FHE4 40-160/03	40	65	80	160	215	121	50	12	132	100	70	240	190	14	250	292	411	94	27
FHE4 40-160/05	40	65	80	160	235	129	50	12	132	100	70	240	190	14	250	292	443	94	29
FHE4 40-200/07	40	65	100	180	235	129	50	12	160	100	70	265	212	14	285	340	463	94	38
FHE4 40-200/11	40	65	100	180	283	121	50	12	160	100	70	265	212	14	285	340	481	94	42
FHE4 40-250/11	40	65	100	225	283	121	65	14	180	125	95	320	250	14	335	405	481	113	52
FHE4 40-250/15	40	65	100	225	283	121	65	14	180	125	95	320	250	14	335	405	481	113	55
FHE4 40-250/22	40	65	100	225	290	133	65	14	180	125	95	320	250	14	335	405	507	113	59
FHE4 50-125/03A	50	65	100	160	217	121	50	12	132	100	70	240	190	14	255	292	433	98	29
FHE4 50-125/03	50	65	100	160	217	121	50	12	132	100	70	240	190	14	255	292	433	98	29
FHE4 50-125/05	50	65	100	160	237	129	50	12	132	100	70	240	190	14	255	292	465	98	32
FHE4 50-160/07	50	65	100	180	237	129	50	12	160	100	70	265	212	14	285	340	465	98	41
FHE4 50-160/11	50	65	100	180	285	121	50	12	160	100	70	265	212	14	285	340	483	98	45
FHE4 50-200/11	50	65	100	200	285	121	50	12	160	100	70	265	212	14	305	360	483	98	44
FHE4 50-200/15	50	65	100	200	285	121	50	12	160	100	70	265	212	14	305	360	483	98	47
FHE4 50-250/22A	50	65	100	225	290	133	65	14	180	125	95	320	250	14	340	405	507	113	59
FHE4 50-250/22	50	65	100	225	290	133	65	14	180	125	95	320	250	14	340	405	507	113	59
FHE4 50-250/30	50	65	100	225	290	133	65	14	180	125	95	320	250	14	340	405	507	113	62
FHE4 65-125/05	65	80	100	180	237	129	65	14	160	125	95	280	212	14	285	340	465	108	45
FHE4 65-125/07	65	80	100	180	237	129	65	14	160	125	95	280	212	14	285	340	465	108	45
FHE4 65-125/11	65	80	100	180	265	121	65	14	160	125	95	280	212	14	285	340	483	108	49
FHE4 65-160/11	65	80	100	200	283	121	65	14	160	125	95	280	212	14	331	360	481	117	56
FHE4 65-160/15	65	80	100	200	283	121	65	14	160	125	95	280	212	14	331	360	481	117	59
FHE4 65-160/22	65	80	100	200	290	133	65	14	160	125	95	280	212	14	331	360	507	117	63
FHE4 65-200/15	65	80	100	225	283	121	65	14	180	125	95	320	250	14	335	405	481	117	59
FHE4 65-200/22	65	80	100	225	290	133	65	14	180	125	95	320	250	14	335	405	507	117	63
FHE4 65-200/30	65	80	100	225	290	133	65	14	180	125	95	320	250	14	335	405	507	117	65
FHE4 65-250/30	65	80	100	250	290	133	80	16	200	160	120	360	280	18	360	450	507	125	75
FHE4 65-250/40	65	80	100	250	311	151	80	16	200	160	120	360	280	18	360	450	530	125	105
FHE4 65-250/55	65	80	100	250	259	191	80	16	200	160	120	360	280	18	360	450	566	125	111
FHE4 80-160/15	80	100	125	225	283	121	65	14	180	125	95	320	250	14	332	405	506	132	64
FHE4 80-160/22	80	100	125	225	290	133	65	14	180	125	95	320	250	14	332	405	532	132	69
FHE4 80-200/30	80	100	125	250	290	133	65	14	180	125	95	345	280	14	345	430	532	132	80
FHE4 80-200/40	80	100	125	250	311	151	65	14	180	125	95	345	280	14	345	430	555	132	103
FHE4 80-250/40	80	100	125	280	311	151	80	16	200	160	120	400	315	18	400	480	555	132	100
FHE4 80-250/55	80	100	125	280	259	191	80	16	200	160	120	400	315	18	400	480	591	132	106
FHE4 80-250/75	80	100	125	280	278	191	80	16	200	160	120	400	315	18	400	480	629	132	116

## DIMENSIONS AND WEIGHTS, 2FHE4 4 POLES SERIES



PUMP TYPE	WEIGHT kg
2FHE4 32-250/07	47
2FHE4 32-250/11	49





**DIMENSIONS AND WEIGHTS, FHS 2 POLES SERIES**

**FLANGES**

DN	D	M	G	HOLES		MAX. THICKNESS
				N°	Ø	
32	140	100	78	4	18	18
40	150	110	88	4	18	18
50	165	125	102	4	18	20
65	185	145	122	4	18	20

**FLANGES**

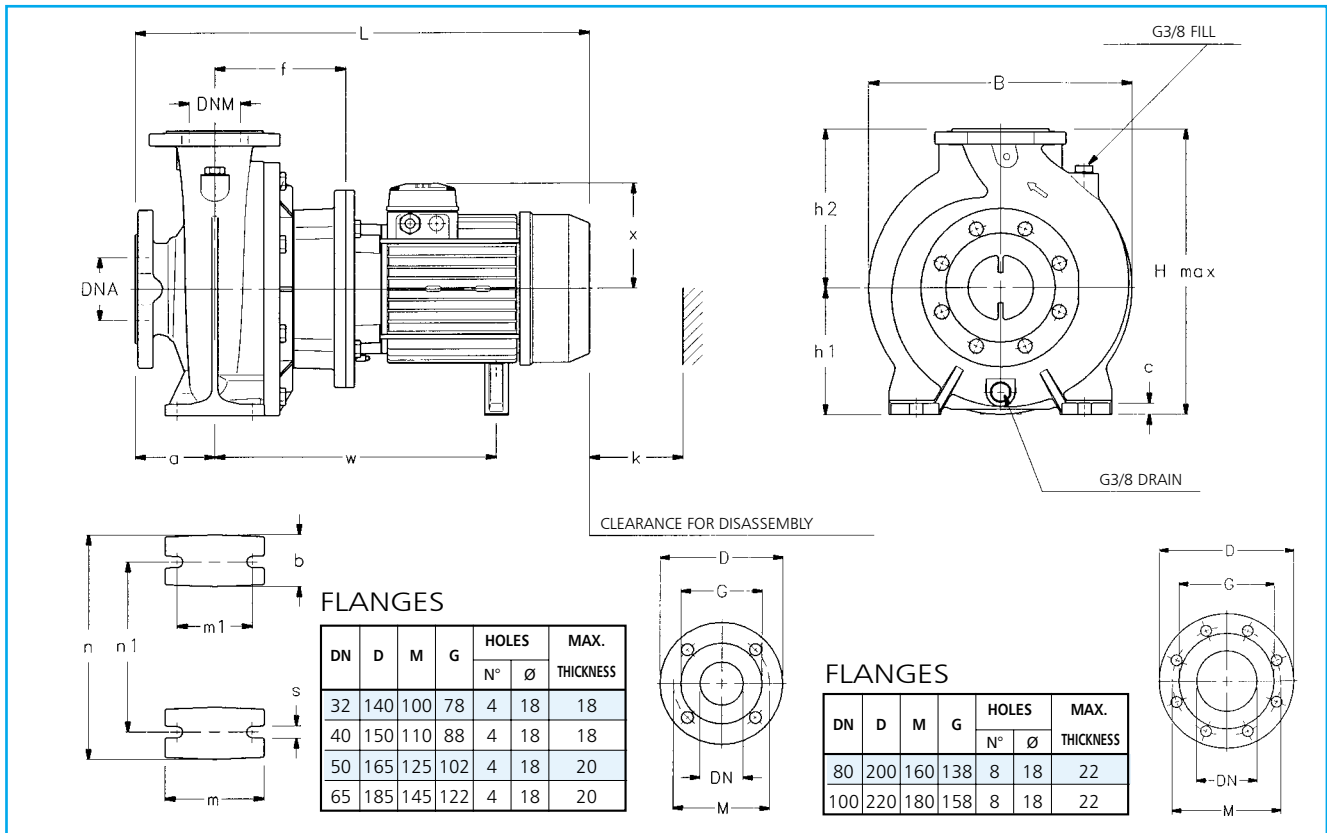
DN	D	M	G	HOLES		MAX. THICKNESS
				N°	Ø	
80	200	160	138	8	18	22
100	220	180	158	8	18	22

PUMP TYPE	PUMP							SUPPORT										B	H max.	L	k	WEIGHT kg
	DNM	DNA	a	f	h2	w	x	b	c	c1	h1	m	m1	n	n1	s	s1					
FHS 32-125/07	32	50	80	155	140	265	121	50	12	-	112	100	70	190	140	14	-	233	252	461	86	32
FHS 32-125/11	32	50	80	155	140	290	129	50	12	-	112	100	70	190	140	14	-	233	252	498	86	34
FHS 32-160/15	32	50	80	155	160	290	129	50	12	-	132	100	70	240	190	14	-	235	292	498	86	35
FHS 32-160/22	32	50	80	155	160	290	129	50	12	-	132	100	70	240	190	14	-	235	292	498	86	37
FHS 32-200/30	32	50	80	165	180	355	121	50	12	-	160	100	70	240	190	14	-	285	340	548	86	51
FHS 32-200/40	32	50	80	165	180	355	133	50	12	-	160	100	70	240	190	14	-	285	340	552	86	62
FHS 40-125/11	40	65	80	155	140	290	129	50	12	-	112	100	70	210	160	14	-	233	252	498	88	34
FHS 40-125/15	40	65	80	155	140	290	129	50	12	-	112	100	70	210	160	14	-	233	252	498	88	36
FHS 40-125/22	40	65	80	155	140	290	129	50	12	-	112	100	70	210	160	14	-	233	252	498	88	39
FHS 40-160/30	40	65	80	165	160	355	121	50	12	-	132	100	70	240	190	14	-	250	292	548	88	44
FHS 40-160/40	40	65	80	165	160	355	133	50	12	-	132	100	70	240	190	14	-	250	292	552	88	45
FHS 40-200/55	40	65	100	192	180	424	150	50	12	-	160	100	70	265	212	14	-	300	340	666	88	73
FHS 40-200/75	40	65	100	192	180	424	150	50	12	-	160	100	70	265	212	14	-	300	340	666	88	77
FHS 40-250/110A	40	65	100	222	225	330	232	50	22	20	180	260	210	318	254	13	23	350	412	801	107	119
FHS 40-250/110	40	65	100	222	225	330	232	50	22	20	180	260	210	318	254	13	23	350	412	801	107	119
FHS 40-250/150	40	65	100	222	225	330	232	50	22	20	180	260	210	318	254	13	23	350	412	801	107	133
FHS 50-125/22	50	65	100	157	160	292	129	50	12	-	132	100	70	240	190	14	-	255	292	520	92	43
FHS 50-125/30	50	65	100	167	160	357	121	50	12	-	132	100	70	240	190	14	-	255	292	570	92	48
FHS 50-125/40	50	65	100	167	160	357	133	50	12	-	132	100	70	240	190	14	-	255	292	574	92	56
FHS 50-160/55	50	65	100	194	180	426	150	50	12	-	160	100	70	265	212	14	-	300	340	668	92	76
FHS 50-160/75	50	65	100	194	180	426	150	50	12	-	160	100	70	265	212	14	-	300	340	668	92	80
FHS 50-200/110A	50	65	100	224	200	332	232	50	22	-	160	260	210	318	254	13	23	350	392	812	92	111
FHS 50-200/110	50	65	100	224	200	332	232	50	22	-	160	260	210	318	254	13	23	350	392	812	92	111
FHS 50-250/150	50	65	100	222	225	330	232	50	22	20	180	260	210	318	254	13	23	350	412	810	107	133
FHS 50-250/185	50	65	100	222	225	330	232	50	22	20	180	304	254	318	254	13	23	350	412	854	107	145
FHS 50-250/220	50	65	100	222	225	330	232	50	22	20	180	304	254	318	254	13	23	350	412	854	107	159
FHS 65-125/40	65	80	100	167	180	357	133	65	14	-	160	125	95	280	212	14	-	285	340	574	105	70
FHS 65-125/55	65	80	100	194	180	426	150	65	14	-	160	125	95	280	212	14	-	300	340	668	105	80
FHS 65-125/75	65	80	100	194	180	426	150	65	14	-	160	125	95	280	212	14	-	300	340	668	105	84
FHS 65-160/110A	65	80	100	222	200	330	232	50	22	20	180	260	210	318	254	13	23	350	412	810	112	123
FHS 65-160/110	65	80	100	222	200	330	232	50	22	20	180	260	210	318	254	13	23	350	412	810	112	123
FHS 65-160/150	65	80	100	222	200	330	232	50	22	20	180	260	210	318	254	13	23	350	412	810	112	137
FHS 65-200/150	65	80	100	222	225	330	232	50	22	20	180	260	210	318	254	13	23	350	412	810	112	137
FHS 65-200/185	65	80	100	222	225	330	232	50	22	20	180	304	254	318	254	13	23	350	412	854	112	149
FHS 65-200/220	65	80	100	222	225	330	232	50	22	20	180	304	254	318	254	13	23	350	412	854	112	163
FHS 65-250/220	65	80	100	222	250	330	232	50	22	40	200	304	254	318	254	13	23	350	450	854	112	157
FHS 65-250/300	65	80	100	228	250	361	257	60	24	-	200	345	305	360	318	18	18	400	457	941	112	200
FHS 65-250/370	65	80	100	228	250	361	257	60	24	-	200	345	305	360	318	18	18	400	457	941	112	218
FHS 80-160/110	80	100	125	222	225	330	232	50	22	20	180	260	210	318	254	13	23	350	412	835	129	124
FHS 80-160/150	80	100	125	222	225	330	232	50	22	20	180	260	210	318	254	13	23	350	412	835	129	138
FHS 80-160/185	80	100	125	222	225	330	232	50	22	20	180	304	254	318	254	13	23	350	412	879	129	156
FHS 80-200/220	80	100	125	222	250	330	232	50	22	20	180	304	254	318	254	13	23	350	430	879	129	163
FHS 80-200/300	80	100	125	228	250	361	257	60	24	-	200	345	305	360	318	18	18	400	457	966	129	199
FHS 80-250/370	80	100	125	228	280	361	257	60	24	-	200	345	305	360	318	18	18	400	480	966	129	213
FHS 80-250/450	80	100	125	228	280	377	280	76	28	-	225	360	311	405	356	18	18	450	505	1043	129	278
FHS 80-250/550	80	100	125	258	280	426	280	90	28	-	250	406	349	465	406	22	22	550	530	1073	129	311

FH



**DIMENSIONS AND WEIGHTS, FHS4 4 POLES SERIES**

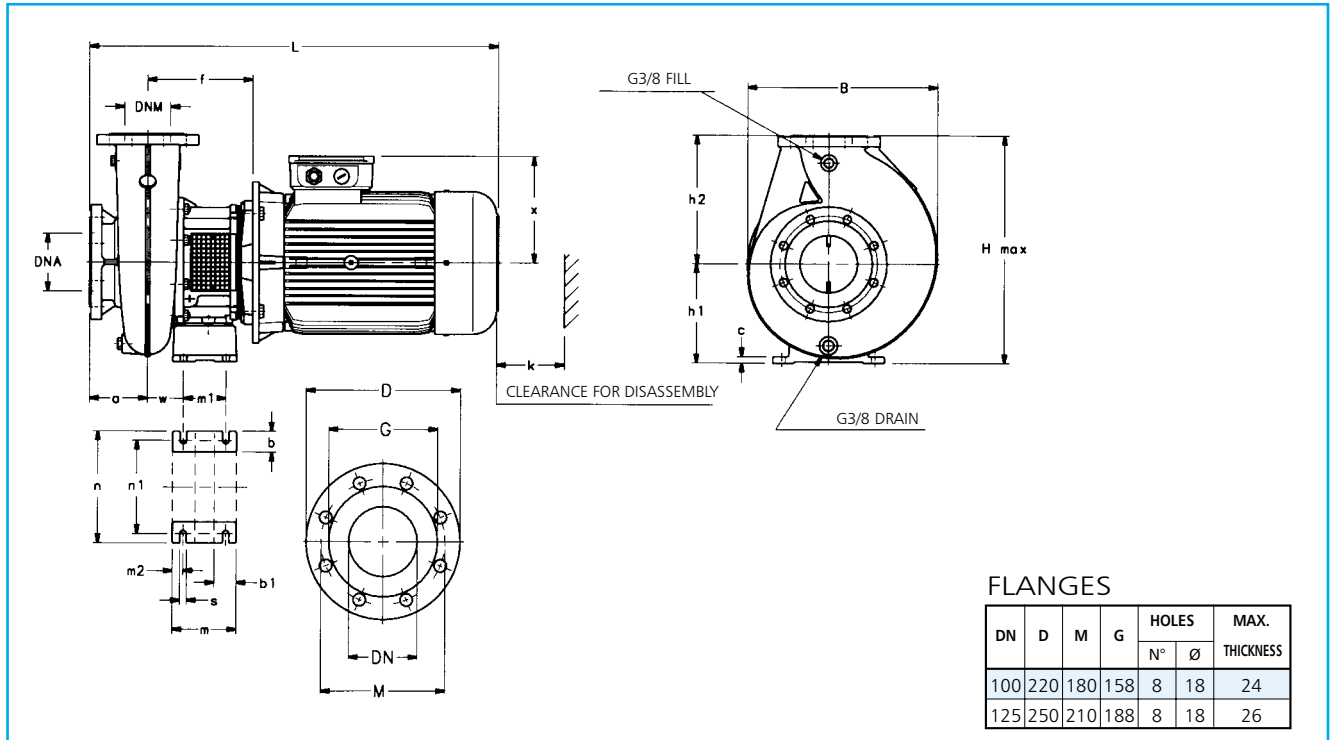


PUMP TYPE	PUMP														SUPPORT					B	H max.	L	k	WEIGHT kg
	DNM	DNA	a	f	h2	w	x	b	c	h1	m	m1	n	n1	s									
FHS4 40-200/07	40	65	100	155	180	290	129	50	12	160	100	70	265	212	14	285	340	518	94	43				
FHS4 40-200/11	40	65	100	155	180	338	121	50	12	160	100	70	265	212	14	285	340	536	94	47				
FHS4 40-250/11	40	65	100	155	225	338	121	65	14	180	125	95	320	250	14	335	405	536	113	57				
FHS4 40-250/15	40	65	100	155	225	338	121	65	14	180	125	95	320	250	14	335	405	536	113	60				
FHS4 40-250/22	40	65	100	165	225	355	133	65	14	180	125	95	320	250	14	335	405	572	113	65				
FHS4 50-160/07	50	65	100	157	180	292	129	50	12	160	100	70	265	212	14	285	340	520	98	46				
FHS4 50-160/11	50	65	100	157	180	340	121	50	12	160	100	70	265	212	14	285	340	536	98	50				
FHS4 50-200/11	50	65	100	157	200	340	121	50	12	160	100	70	265	212	14	305	360	536	98	49				
FHS4 50-200/15	50	65	100	157	200	340	121	50	12	160	100	70	265	212	14	305	360	536	98	52				
FHS4 50-250/22A	50	65	100	165	225	355	133	65	14	180	125	95	320	250	14	340	405	572	113	65				
FHS4 50-250/22	50	65	100	165	225	355	133	65	14	180	125	95	320	250	14	340	405	572	113	65				
FHS4 50-250/30	50	65	100	165	225	355	133	65	14	180	125	95	320	250	14	340	405	572	113	68				
FHS4 65-125/05	65	80	100	157	180	292	129	65	14	160	125	95	280	212	14	285	340	520	108	50				
FHS4 65-125/07	65	80	100	157	180	292	129	65	14	160	125	95	280	212	14	285	340	520	108	52				
FHS4 65-125/11	65	80	100	157	180	340	121	65	14	160	125	95	280	212	14	285	340	536	108	54				
FHS4 65-160/11	65	80	100	155	200	338	121	65	14	160	125	95	280	212	14	331	360	536	117	61				
FHS4 65-160/15	65	80	100	155	200	338	121	65	14	160	125	95	280	212	14	331	360	536	117	64				
FHS4 65-160/22	65	80	100	165	200	345	153	65	14	160	125	95	280	212	14	331	360	572	117	69				
FHS4 65-200/15	65	80	100	155	225	338	121	65	14	180	125	95	320	250	14	335	405	536	117	64				
FHS4 65-200/22	65	80	100	165	225	355	133	65	14	180	125	95	320	250	14	335	405	572	117	69				
FHS4 65-200/30	65	80	100	165	225	355	133	65	14	180	125	95	320	250	14	335	405	572	117	72				
FHS4 65-250/30	65	80	100	165	250	355	133	80	16	200	160	120	360	280	18	360	450	572	125	78				
FHS4 65-250/40	65	80	100	165	250	376	151	80	16	200	160	120	360	280	18	360	450	595	125	101				
FHS4 65-250/55	65	80	100	192	250	351	191	80	16	200	160	120	360	280	18	360	450	658	125	104				
FHS4 80-160/15	80	100	125	155	225	338	121	65	14	180	125	95	320	250	14	332	405	561	132	71				
FHS4 80-160/22	80	100	125	165	225	355	133	65	14	180	125	95	320	250	14	332	405	597	132	75				
FHS4 80-200/30	80	100	125	165	250	355	133	65	14	180	125	95	345	280	14	345	430	597	132	81				
FHS4 80-200/40	80	100	125	165	250	376	151	65	14	180	125	95	345	280	14	345	430	620	132	104				
FHS4 80-250/40	80	100	125	165	280	376	151	80	16	200	160	120	400	315	18	400	480	620	132	110				
FHS4 80-250/55	80	100	125	192	280	351	191	80	16	200	160	120	400	315	18	400	480	683	132	113				
FHS4 80-250/75	80	100	125	192	280	370	191	80	16	200	160	120	400	315	18	400	480	721	132	116				





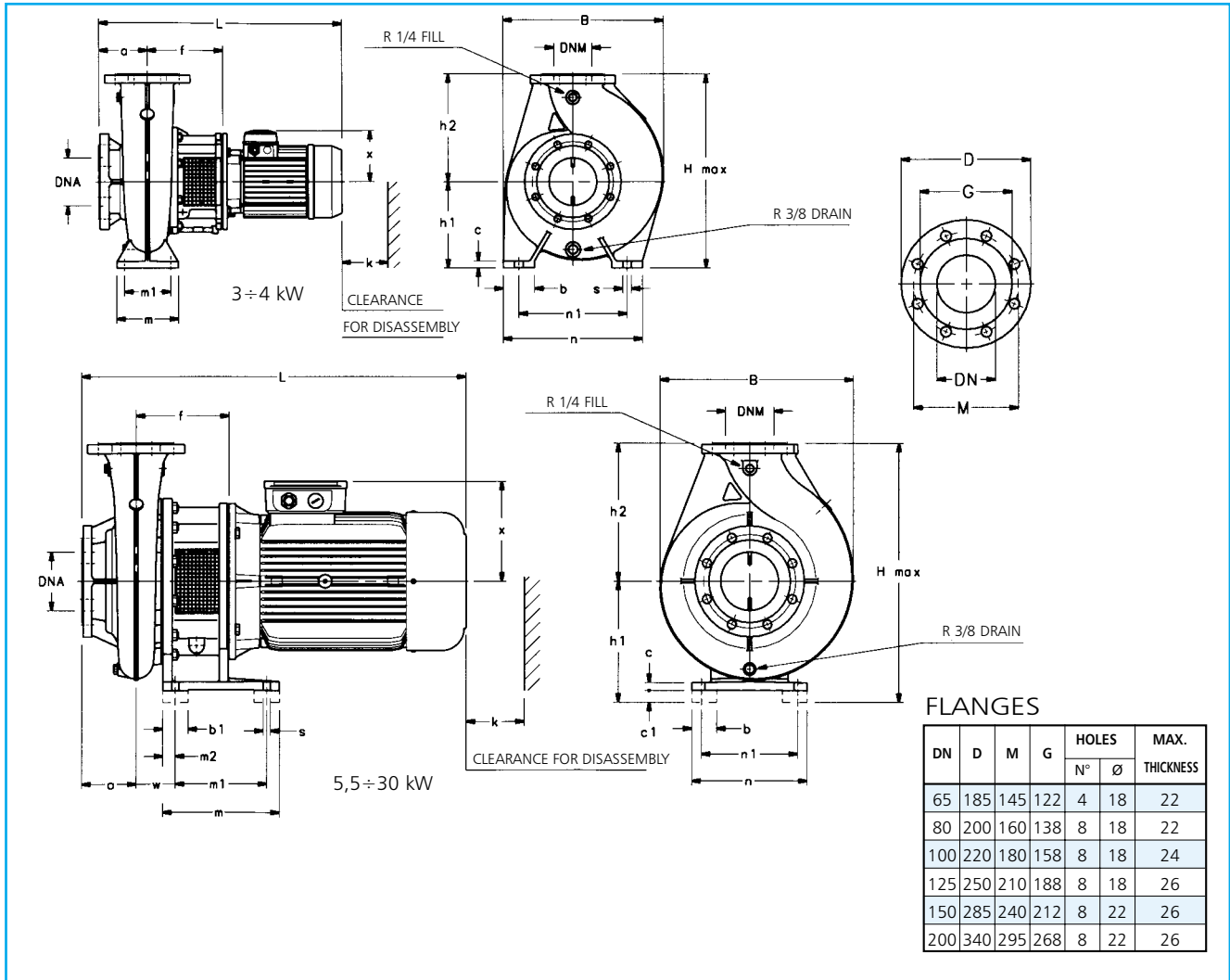
**DIMENSIONS AND WEIGHTS, FHS 2 POLES SERIES**



PUMP TYPE	PUMP							SUPPORT										B	H max.	L	k	WEIGHT kg
	DNM	DNA	a	f	h2	w	x	b	b1	c	h1	m	m1	m2	n	n1	s					
FHS 100-160/220	100	125	125	226	280	78	232	45	48	14	215	137	91	23	240	200	14	411	495	883	143	236
FHS 100-160/300	100	125	125	231	280	92	257	-	65	20	250	300	235	32,5	300	250	18	435	530	969	143	348
FHS 100-200/300	100	125	125	231	280	92	257	-	65	20	250	300	235	32,5	300	250	18	405	530	969	153	340
FHS 100-200/370	100	125	125	231	280	92	257	-	65	20	250	300	235	32,5	300	250	18	405	530	969	153	360



**DIMENSIONS AND WEIGHTS, FHS4 4 POLES SERIES**

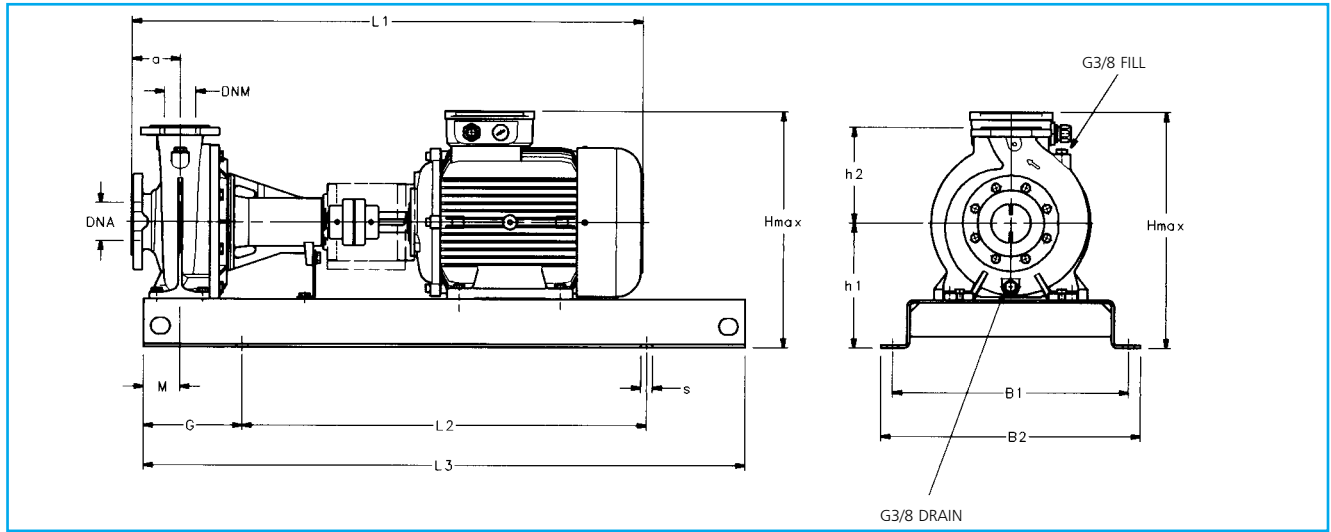


PUMP TYPE	PUMP							SUPPORT										B	H max.	L	k	WEIGHT kg	
	DNM	DNA	a	f	h2	w	x	b	b1	c	c1	h1	m	m1	m2	n	n1						s
FHS4 65-315/75	65	80	125	196	280	83	194	45	48	14	-	250	137	89	24	240	200	14	434	530	725	160	168
FHS4 65-315/110	65	80	125	226	280	83	243	45	48	14	-	250	137	89	24	240	200	14	434	530	889	160	212
FHS4 80-315/110	80	100	125	226	315	83	243	45	48	14	-	250	137	89	24	240	200	14	450	565	889	160	218
FHS4 80-315/150	80	100	125	226	315	83	243	45	48	14	-	250	137	89	24	240	200	14	450	565	889	160	238
FHS4 100-160/30	100	125	125	196	280	-	133	80	-	16	-	225	160	120	-	360	280	19	415	505	628	143	110
FHS4 100-200/40	100	125	125	196	280	-	151	80	-	18	-	200	160	120	-	360	280	19	385	480	651	153	106
FHS4 100-200/55	100	125	125	196	280	77	194	45	48	14	-	215	137	91	23	240	200	14	373	495	687	153	131
FHS4 100-250/75	100	125	140	196	280	78	194	45	42	14	-	220	165	131	15	240	200	14	416	500	740	150	171
FHS4 100-250/110	100	125	140	226	280	78	243	45	42	14	-	220	165	131	15	240	200	14	416	500	904	150	215
FHS4 100-315/150	100	125	140	226	315	78	243	45	48	14	-	250	137	89	24	240	200	14	486	565	904	160	247
FHS4 100-315/185	100	125	140	226	315	83	243	45	48	14	-	250	137	89	24	240	200	14	486	565	904	160	282
FHS4 100-315/220	100	125	140	226	315	83	263	45	48	14	-	250	137	89	24	240	200	14	486	565	979	160	292
FHS4 125-200/55	125	150	140	211	315	91	194	45	48	14	-	235	137	91	23	240	200	14	469	550	717	160	162
FHS4 125-200/75	125	150	140	211	315	91	194	45	48	14	-	235	137	91	23	240	200	14	469	550	755	160	175
FHS4 125-250/110	125	150	140	226	355	78	243	45	48	14	-	250	137	91	23	240	200	14	493	605	904	158	217
FHS4 125-250/150	125	150	140	226	355	78	243	45	48	14	-	250	137	91	23	240	200	14	493	605	904	158	237
FHS4 125-250/185	125	150	140	226	355	78	243	45	48	14	-	250	137	91	23	240	200	14	493	605	904	158	273
FHS4 125-315/220	125	150	140	241	355	101	263	-	65	20	-	280	300	235	32,5	300	250	18	501	635	994	171	344
FHS4 125-315/300	125	150	140	241	355	101	263	-	65	20	-	280	300	235	32,5	300	250	18	501	635	994	171	429
FHS4 150-250/150	150	200	160	241	375	101	243	-	70	20	30	280	305	235	35	305	250	18	543	655	939	181	300
FHS4 150-250/185	150	200	160	241	375	101	243	-	70	20	30	280	305	235	35	305	250	18	543	655	939	181	335
FHS4 150-250/220	150	200	160	241	375	101	263	-	70	20	30	280	305	235	35	305	250	18	543	655	1014	181	345
FHS4 150-250/300	150	200	160	241	375	101	263	-	70	20	30	280	305	235	35	305	250	18	543	655	1014	181	430
FHS4 150-315/300	150	200	160	241	400	101	263	-	65	20	-	280	300	235	32,5	300	250	18	567	680	1014	186	448





**DIMENSIONS AND WEIGHTS, FHF 2 POLES SERIES**

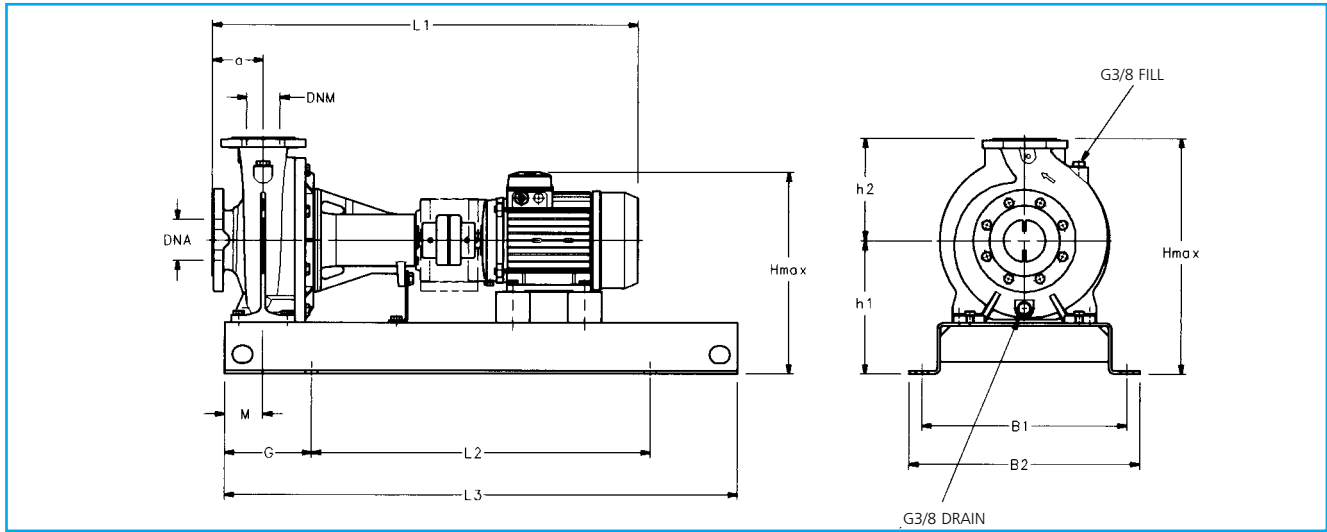


PUMP TYPE	DIMENSIONS(mm)													s FOR SCREWS	WEIGHT kg
	DNM	DNA	a	B1	B2	L1	L2	L3	G	M	h1	h2	H max.		
FHF 32-125/07	32	50	80	320	360	744	540	800	130	60	212	140	352	M16	67
FHF 32-125/11	32	50	80	320	360	744	540	800	130	60	212	140	352	M16	69
FHF 32-160/15	32	50	80	350	390	773	600	900	150	60	232	160	392	M16	71
FHF 32-160/22	32	50	80	350	390	773	600	900	150	60	232	160	392	M16	73
FHF 32-200/30	32	50	80	350	390	809	600	900	150	60	260	180	440	M16	92
FHF 32-200/40	32	50	80	350	390	832	600	900	150	60	260	180	440	M16	96
FHF 40-125/11	40	65	80	320	360	744	540	800	130	60	212	140	352	M16	72
FHF 40-125/15	40	65	80	350	390	773	600	900	150	60	212	140	352	M16	74
FHF 40-125/22	40	65	80	350	390	773	600	900	150	60	212	140	352	M16	77
FHF 40-160/30	40	65	80	350	390	809	600	900	150	60	232	160	392	M16	91
FHF 40-160/40	40	65	80	350	390	832	600	900	150	60	232	160	392	M16	97
FHF 40-200/55	40	65	100	400	450	909	660	1000	170	60	260	180	451	M20	112
FHF 40-200/75	40	65	100	400	450	909	660	1000	170	60	260	180	451	M20	120
FHF 40-250/110A	40	65	100	490	540	1061	840	1250	205	75	280	225	512	M20	178
FHF 40-250/110	40	65	100	490	540	1061	840	1250	205	75	280	225	512	M20	178
FHF 40-250/150	40	65	100	490	540	1061	840	1250	205	75	280	225	512	M20	188
FHF 50-125/22	50	65	100	350	390	793	600	900	150	60	232	160	392	M16	85
FHF 50-125/30	50	65	100	350	390	829	600	900	150	60	232	160	392	M16	92
FHF 50-125/40	50	65	100	350	390	852	600	900	150	60	232	160	392	M16	97
FHF 50-160/55	50	65	100	400	450	909	660	1000	170	60	260	180	451	M20	111
FHF 50-160/75	50	65	100	400	450	909	660	1000	170	60	260	180	451	M20	115
FHF 50-200/110A	50	65	100	440	490	1061	740	1120	190	60	260	200	492	M20	173
FHF 50-200/110	50	65	100	440	490	1061	740	1120	190	60	260	200	492	M20	173
FHF 50-250/150	50	65	100	490	540	1061	840	1250	205	75	280	225	512	M20	179
FHF 50-250/185	50	65	100	490	540	1105	840	1250	205	75	280	225	512	M20	199
FHF 50-250/220	50	65	100	490	540	1111	840	1250	205	75	280	225	510	M20	219
FHF 65-125/40	65	80	100	350	390	852	600	900	150	75	260	180	440	M16	135
FHF 65-125/55	65	80	100	400	450	909	660	1000	170	75	260	180	451	M20	141
FHF 65-125/75	65	80	100	400	450	909	660	1000	170	75	260	180	451	M20	147
FHF 65-160/110A	65	80	100	490	540	1061	840	1250	205	75	260	200	492	M20	164
FHF 65-160/110	65	80	100	490	540	1061	840	1250	205	75	260	200	492	M20	164
FHF 65-160/150	65	80	100	490	540	1061	840	1250	205	75	260	200	492	M20	180
FHF 65-200/150	65	80	100	490	540	1061	840	1250	205	75	280	225	512	M20	187
FHF 65-200/185	65	80	100	490	540	1105	840	1250	205	75	280	225	512	M20	197
FHF 65-200/220	65	80	100	490	540	1111	840	1250	205	75	280	225	510	M20	215
FHF 65-250/220	65	80	100	490	540	1221	840	1250	205	90	310	250	550	M20	223
FHF 65-250/300	65	80	100	550	610	1296	940	1400	230	90	310	250	557	M24	300
FHF 65-250/370	65	80	100	550	610	1296	940	1400	230	90	310	250	557	M24	315
FHF 80-160/110	80	100	125	490	540	1086	840	1250	205	75	280	225	512	M20	202
FHF 80-160/150	80	100	125	490	540	1086	840	1250	205	75	280	225	512	M20	212
FHF 80-160/185	80	100	125	490	540	1130	840	1250	205	75	280	225	512	M20	233
FHF 80-200/220	80	100	125	490	540	1246	840	1250	205	75	280	250	530	M20	245
FHF 80-200/300	80	100	125	550	610	1321	940	1400	230	75	310	250	557	M24	285
FHF 80-250/370	80	100	125	550	610	1321	940	1400	230	90	310	280	580	M24	305
FHF 80-250/450	80	100	125	550	610	1398	940	1400	230	90	365	280	605	M24	365
FHF 80-250/550	80	100	125	600	660	1428	1060	1600	270	90	390	280	660	M24	400

FH



**DIMENSIONS AND WEIGHTS, FHF4 4 POLES SERIES**



PUMP TYPE	DIMENSIONS(mm)													s FOR SCREWS	WEIGHT kg
	DNM	DNA	a	B1	B2	L1	L2	L3	G	M	h1	h2	H max.		
FHF4 32-125/02A	32	50	80	320	360	702	540	800	130	60	212	140	352	M16	74
FHF4 32-125/02	32	50	80	320	360	702	540	800	130	60	212	140	352	M16	74
FHF4 32-160/02	32	50	80	320	360	702	540	800	130	60	232	160	392	M16	76
FHF4 32-160/03	32	50	80	320	360	702	540	800	130	60	232	160	392	M16	78
FHF4 32-200/03	32	50	80	320	360	702	540	800	130	60	260	180	440	M16	80
FHF4 32-200/05	32	50	80	320	360	744	540	800	130	60	260	180	440	M16	82
FHF4 40-125/02A	40	65	80	320	360	702	540	800	130	60	212	140	352	M16	61
FHF4 40-125/02	40	65	80	320	360	702	540	800	130	60	212	140	352	M16	61
FHF4 40-125/03	40	65	80	320	360	702	540	800	130	60	212	140	352	M16	64
FHF4 40-160/03	40	65	80	320	360	702	540	800	130	60	232	160	392	M16	65
FHF4 40-160/05	40	65	80	320	360	744	540	800	130	60	232	160	392	M16	66
FHF4 40-200/07	40	65	100	350	390	764	600	900	150	60	260	180	440	M16	73
FHF4 40-200/11	40	65	100	350	390	793	600	900	150	60	260	180	440	M16	76
FHF4 40-250/11	40	65	100	400	450	793	660	1000	170	75	280	225	505	M20	103
FHF4 40-250/15	40	65	100	400	450	793	660	1000	170	75	280	225	505	M20	106
FHF4 40-250/22	40	65	100	400	450	829	660	1000	170	75	280	225	505	M20	119
FHF4 50-125/03A	50	65	100	320	360	722	540	800	130	60	232	160	392	M16	64
FHF4 50-125/03	50	65	100	320	360	722	540	800	130	60	232	160	392	M16	64
FHF4 50-125/05	50	65	100	320	360	764	540	800	130	60	232	160	392	M16	66
FHF4 50-160/07	50	65	100	350	390	764	600	900	150	60	260	180	440	M16	73
FHF4 50-160/11	50	65	100	350	390	793	600	900	150	60	260	180	440	M16	76
FHF4 50-200/11	50	65	100	350	390	793	600	900	150	60	260	200	460	M16	87
FHF4 50-200/15	50	65	100	350	390	793	600	900	150	60	260	200	460	M16	90
FHF4 50/250/22A	50	65	100	400	450	829	660	1000	170	75	280	225	505	M20	121
FHF4 50-250/22	50	65	100	400	450	829	660	1000	170	75	280	225	505	M20	121
FHF4 50-250/30	50	65	100	400	450	829	660	1000	170	75	280	225	505	M20	125
FHF4 65-125/05	65	80	100	350	390	764	600	900	150	75	260	180	440	M16	90
FHF4 65-125/07	65	80	100	350	390	764	600	900	150	75	260	180	440	M16	91
FHF4 65-125/11	65	80	100	350	390	793	600	900	150	75	260	180	440	M16	95
FHF4 65-160/11	65	80	100	400	450	793	660	1000	170	75	260	200	460	M20	100
FHF4 65-160/15	65	80	100	400	450	793	660	1000	170	75	260	200	460	M20	110
FHF4 65-160/22	65	80	100	400	450	829	660	1000	170	75	260	200	460	M20	119
FHF4 65-200/15	65	80	100	400	450	793	660	1000	170	75	280	225	505	M20	112
FHF4 65-200/22	65	80	100	440	490	829	740	1120	190	75	280	225	505	M20	123
FHF4 65-200/30	65	80	100	440	490	829	740	1120	190	75	280	225	505	M20	126
FHF4 65-250/30	65	80	100	440	490	939	740	1120	190	90	310	250	550	M20	150
FHF4 65-250/40	65	80	100	440	490	962	740	1120	190	90	310	250	550	M20	162
FHF4 65-250/55	65	80	100	440	490	1019	740	1120	190	90	310	250	550	M20	180
FHF4 80-160/15	80	100	125	400	450	818	660	1000	170	75	280	228	505	M20	130
FHF4 80-160/22	80	100	125	440	490	854	740	1120	190	75	280	228	505	M20	136
FHF4 80-200/30	80	100	125	440	490	964	740	1120	190	75	280	250	530	M20	155
FHF4 80-200/40	80	100	125	440	490	987	740	1120	190	75	280	250	530	M20	159
FHF4 80-250/40	80	100	125	490	540	987	840	1250	205	90	310	280	580	M20	165
FHF4 80-250/55	80	100	125	490	540	1044	840	1250	205	90	310	280	580	M20	180
FHF4 80-250/75	80	100	125	490	540	1082	840	1250	205	90	310	280	580	M20	193

