

HF (12 à 120 m³/h)

ELECTROPOMPES CENTRIFUGES MONO-CELLULAIRES

PRINCIPE : Centrifuge horizontale monocellulaire.

UTILISATION :

- Pour liquides propres.
- Recyclages industriels basse pression en liquides froids ou chauds, nage à contre courant en piscine et tous usages agricoles.
- Température du liquide: 90°C maxi.
- Température ambiante: 40°C maxi.

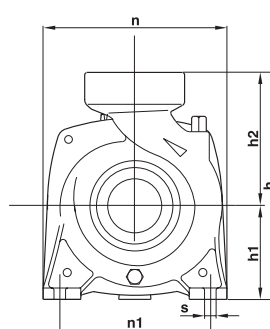
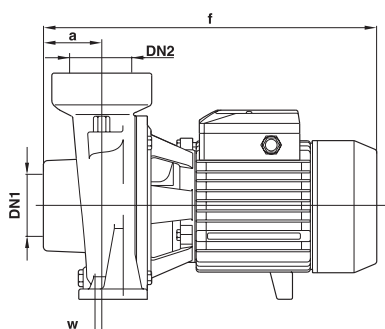
CONSTRUCTION :

- Corps fonte à orifices taraudés, roue laiton, lanterne aluminium (Fonte HF 6).
- Moteur 3000 tr/min, IP44, classe F.
- Arbre INOX EN 10088-3 - 1.4104.
- Garniture mécanique de série en carbone/céramique/nitrile.
- Protection thermique incorporée en monophasé.



| Désignation | Code | € | | Q = débit en m3/h | | | | | | | | | | | | |
|-------------|---------|---------|----|-------------------|------|------|------|------|------|------|------|------|------|------|-----|--|
| | | Prix HT | kW | 0 | 12 | 30 | 42 | 48 | 60 | 66 | 72 | 102 | 108 | 120 | 132 | |
| HFm 4 | A3G0110 | 0.75 | | 10 | 9.3 | 7 | 4.7 | 3 | | | | | | | | |
| HF 4 | A3G0120 | | | | | | | | | | | | | | | |
| HFm 6C | A3G0130 | 1.10 | | 11.9 | 11.7 | 10.2 | 8 | 6.7 | 3 | | | | | | | |
| HF 6C | A3G0140 | | | | | | | | | | | | | | | |
| HFm 6B | A3G0150 | 1.50 | | 14.7 | 14.5 | 12.8 | 11 | 9.7 | 6.7 | 5 | | | | | | |
| HF 6B | A3G0160 | | | | | | | | | | | | | | | |
| - | | 2.20 | H | 18.5 | 18.1 | 16.8 | 15 | 13.8 | 10.5 | 8.3 | 6 | | | | | |
| HF 6A | A3G0170 | | | | | | | | | | | | | | | |
| - | | 3.00 | M | 21.5 | 21 | 19.5 | 17.8 | 16.5 | 13.5 | 11.2 | 9 | | | | | |
| HF8B | A3G0180 | | | | | | | | | | | | | | | |
| - | | 4.00 | T | 24.5 | 24 | 22.5 | 20.8 | 19.5 | 16.8 | 15 | 13 | | | | | |
| HF 8A | A3G0190 | | | | | | | | | | | | | | | |
| - | | 3.00 | | 16 | - | 15.4 | 15.2 | 15 | 14 | 13 | 12 | 2 | | | | |
| HF 20B | A3G0200 | | | | | | | | | | | | | | | |
| - | | 4.00 | | 19 | - | 18.4 | 18.2 | 18 | 17 | 16.2 | 15.2 | 5 | 2 | | | |
| HF 20A | A3G0210 | | | | | | | | | | | | | | | |
| HF 30B | A3G0220 | 5.50 | | 18 | - | - | 18 | 18 | 18 | 17.5 | 17 | 15 | 14.5 | 13 | | |
| HF 30A | A3G0230 | 7.50 | | 23 | - | - | 23 | 23 | 23 | 22.5 | 22.5 | 21.5 | 21 | 19.5 | 18 | |

m = monophasé H M T = Hauteur manométrique totale en m (10 m CE = 1 bar)



| TYPE | | DIMENSIONS en mm | | | | | | | | | | | |
|-----------|----------|------------------|--------|----|-----|-----|-----|-----|-----|-----|----|----|-------|
| Monophasé | Triphasé | DN1 | DN2 | a | f | h | h1 | h2 | n | n1 | w | s | poids |
| HFm 4 | HF 4 | 2 1/2" | 2 1/2" | 55 | 323 | 240 | 97 | 143 | 190 | 155 | - | 10 | 10 kg |
| HFm 6C | HF 6C | 3" | 3" | 68 | 411 | 312 | 120 | 192 | 240 | 190 | 6 | 12 | 28 kg |
| HFm 6B | - | 3" | 3" | 68 | 411 | 312 | 120 | 192 | 240 | 190 | 6 | 12 | 30 kg |
| - | HF 6B | 3" | 3" | 68 | 411 | 312 | 120 | 192 | 240 | 190 | 6 | 12 | 30 kg |
| - | HF 6A | 3" | 3" | 68 | 411 | 312 | 120 | 192 | 240 | 190 | 6 | 12 | 30 kg |
| - | HF 8B | 4" | 4" | 80 | 429 | 312 | 132 | 180 | 245 | 190 | 30 | 14 | 35 kg |
| - | HF 8A | 4" | 4" | 80 | 462 | 312 | 132 | 180 | 245 | 190 | 30 | 14 | 38 kg |
| - | HF 20B | 4" | 4" | 80 | 429 | 312 | 132 | 180 | 245 | 190 | 30 | 14 | 35 kg |
| - | HF 20A | 4" | 4" | 80 | 462 | 312 | 132 | 180 | 245 | 190 | 30 | 14 | 38 kg |
| - | HF 30B | 4" | 4" | 82 | 585 | 370 | 160 | 210 | 292 | 212 | 30 | 14 | 56 kg |
| - | HF 30A | 4" | 4" | 82 | 585 | 370 | 160 | 210 | 292 | 212 | 30 | 14 | 58 kg |