

PRESSURE SETS WITH VESSEL



HYDROFRESH 5VT



HYDROFRESH 24 SF



HYDROFRESH 24 CL



HYDROFRESH 60 CL

PERFORMANCE

MODEL	POWER		FLOW RATE (1) l/min	SETTING (2) bar
	kW	HP		
HYDROFRESH 5VT				
PKm 60 - 05 VT	0.37	0.50	32	1.4 ÷ 2.8
JSWm 1CX - 05 VT	0.37	0.50	45	1.2 ÷ 2.6
JSWm 1BX - 05 VT	0.50	0.70	50	1.4 ÷ 2.8
JSWm 1AX - 05 VT	0.60	0.85	50	1.8 ÷ 3.2
HYDROFRESH 24 SF				
PKm 60 - 24 SF	0.37	0.50	32	1.4 ÷ 2.8
PKm 65 - 24 SF	0.50	0.70	40	1.5 ÷ 3.0
JSWm 1CX - 24 SF	0.37	0.50	45	1.2 ÷ 2.6
JSWm 1BX - 24 SF	0.50	0.70	50	1.4 ÷ 2.8
JSWm 1AX - 24 SF	0.60	0.85	50	1.8 ÷ 3.2
JSWm 10MX - 24 SF	0.75	1	80	1.4 ÷ 2.8
JSWm 12MX - 24 SF	0.90	1.25	80	2.0 ÷ 3.5
JSWm 15MX - 24 SF	1.1	1.5	80	2.5 ÷ 4.0
HYDROFRESH 24 CL				
PKm 60 - 24 CL	0.37	0.50	32	1.4 ÷ 2.8
PKm 65 - 24 CL	0.50	0.70	40	1.5 ÷ 3.0
CPm 158 - 24 CL	0.75	1	90	1.8 ÷ 3.2
CPm 170 - 24 CL	1.1	1.5	120	2.2 ÷ 3.5
JSWm 1BX - 24 CL	0.50	0.70	50	1.4 ÷ 2.8
JSWm 1AX - 24 CL	0.60	0.85	50	1.8 ÷ 3.2
JSWm 10MX - 24 CL	0.75	1	80	1.4 ÷ 2.8
JSWm 12MX - 24 CL	0.90	1.25	80	2.0 ÷ 3.5
JSWm 15MX - 24 CL	1.1	1.5	80	2.5 ÷ 4.0
JCRm 1B - 24 CL	0.50	0.70	50	1.4 ÷ 2.8
JCRm 1A - 24 CL	0.60	0.85	50	1.8 ÷ 3.2
JCRm 10M - 24 CL	0.75	1	80	1.4 ÷ 2.8
JCRm 15M - 24 CL	1.1	1.5	80	2.5 ÷ 4.0
HYDROFRESH 60 CL				
JSWm 10MX - 60 CL	0.75	1	80	1.4 ÷ 2.8
JSWm 12MX - 60 CL	0.90	1.25	80	2.0 ÷ 3.5
JSWm 15MX - 60 CL	1.1	1.5	80	2.5 ÷ 4.0

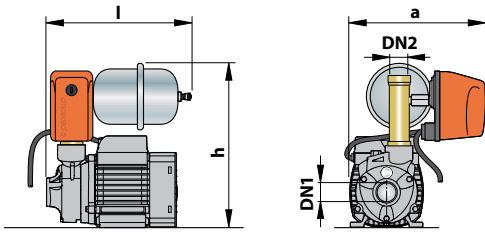
COMPONENTS:

- Single-phase pump
- Tank
- Pressure switch
- Pressure gauge (for 24SF, 24CL and 60CL)
- Hose (for 24CL and 60CL)
- Brass connector
- 1.5 m power cable with Schuko plug

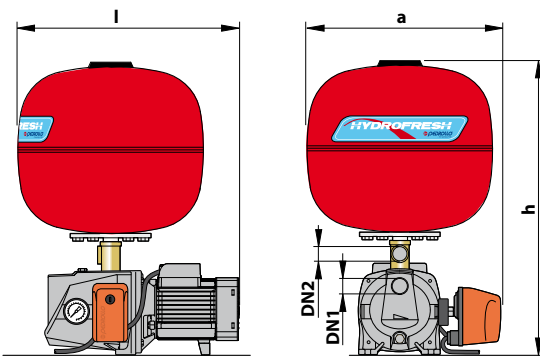
(1) Maximum flow rate at the minimum recommended pressure switch pressure

(2) Recommended pressure range

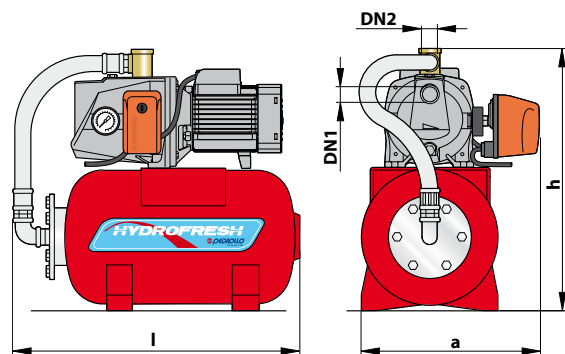
DIMENSIONS AND WEIGHT



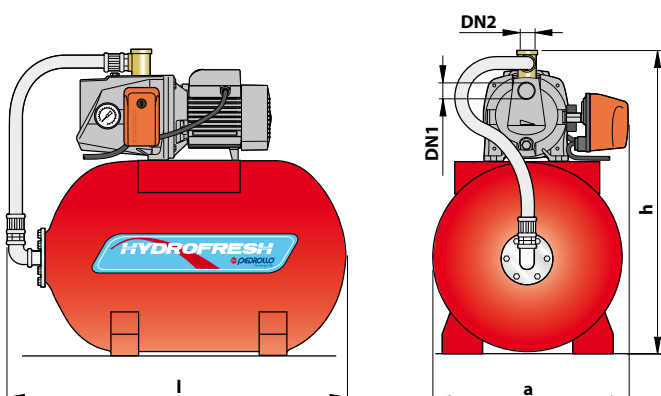
MODEL	PORTS		DIMENSIONS mm			WEIGHT kg
	DN1	DN2	l	a	h	
PKm 60 - 05 VT	1"	1"	255	210	262	6.5
JSWm 1CX - 05 VT	1"	1"	373	210	280	10.5
JSWm 1BX - 05 VT	1"	1"	373	210	280	11.2
JSWm 1AX - 05 VT	1"	1"	373	210	280	11.5



MODEL	PORTS		DIMENSIONS mm			WEIGHT kg
	DN1	DN2	l	a	h	
PKm 60 - 24 SF	1"	1"	360	390	522	12.5
PKm 65 - 24 SF	1"	1"	373	390	530	13.9
JSWm 1CX - 24 SF	1"	1"	437	390	551	16.5
JSWm 1BX - 24 SF	1"	1"	437	390	551	17.3
JSWm 1AX - 24 SF	1"	1"	437	390	551	17.6
JSWm 10MX - 24 SF	1"	1"	463	390	572	21.0
JSWm 12MX - 24 SF	1"	1"	463	390	572	22.0
JSWm 15MX - 24 SF	1"	1"	463	390	572	22.4



MODEL	PORTS		DIMENSIONS mm			WEIGHT kg
	DN1	DN2	l	a	h	
PKm 60 - 24 CL	1"	1"	540	285	503	13.2
PKm 65 - 24 CL	1"	1"	540	285	508	14.8
CPm 158 - 24 CL	1"	1"	540	285	585	19.9
CPm 170 - 24 CL	1 1/4"	1"	540	285	605	26.3
JSWm 1BX - 24 CL	1"	1"	540	295	486	17.9
JSWm 1AX - 24 CL	1"	1"	540	295	486	18.2
JSWm 10MX - 24 CL	1"	1"	540	345	507	21.6
JSWm 12MX - 24 CL	1"	1"	540	345	507	22.6
JSWm 15MX - 24 CL	1"	1"	540	345	507	23.0
JCRm 1B - 24 CL	1"	1"	540	285	519	14.3
JCRm 1A - 24 CL	1"	1"	540	285	519	14.8
JCRm 10M - 24 CL	1 1/4"	1"	540	285	551	17.3
JCRm 15M - 24 CL	1 1/4"	1"	540	285	551	18.4



MODEL	PORTS		DIMENSIONS mm			WEIGHT kg
	DN1	DN2	l	a	h	
JSWm 10MX - 60 CL	1"	1"	750	400	647	28.2
JSWm 12MX - 60 CL	1"	1"	750	400	647	29.2
JSWm 15MX - 60 CL	1"	1"	750	400	647	29.6