

**THERMOBILE®**



***SPARE PARTS MANUAL VAL HEATERS  
2012-2013***

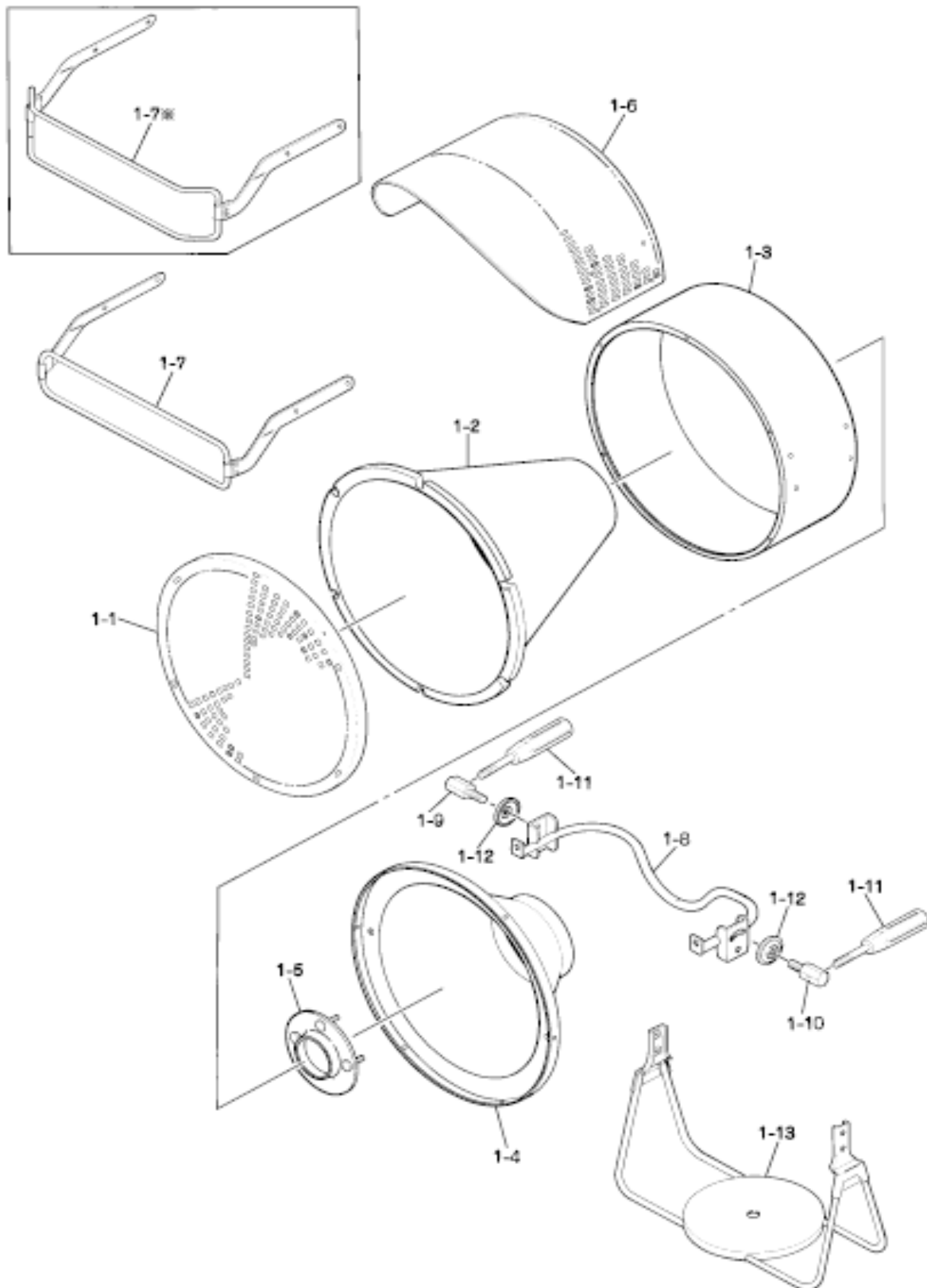
## SPARE PARTS MANUAL VAL HEATERS

|                                       |       |
|---------------------------------------|-------|
| CONTENTS:.....                        | 2     |
| VAL 6 1-STEP/2 STEP---main unit...    | 3     |
| VAL 6 KB---main unit.....             | 4     |
| VAL 6 MIDI---main unit.....           | 5     |
| Parts main unit VAL.....              | 6     |
| VAL 6 1-STEP/2 STEP---fuel tank....   | 7     |
| VAL 6 KB---fuel tank.....             | 8     |
| VAL 6 MIDI---fuel tank.....           | 9     |
| Part fuel tank VAL.....               | 10    |
| VAL 6 1-STEP/2 STEP/KB---burner..     | 11    |
| VAL 6 MIDI---burner.....              | 14    |
| VAL DAYSTAR---tank.....               | 16/17 |
| VAL DAYSTAR---combustion unit...17/18 |       |
| VAL DAYSTAR---burner unit.....        | 19    |
| EPX---tank section.....               | 20    |
| EPX---combustion section.....         | 23    |
| EPX ---burner section .....           | 25    |
| IFT 42.....                           | 28    |



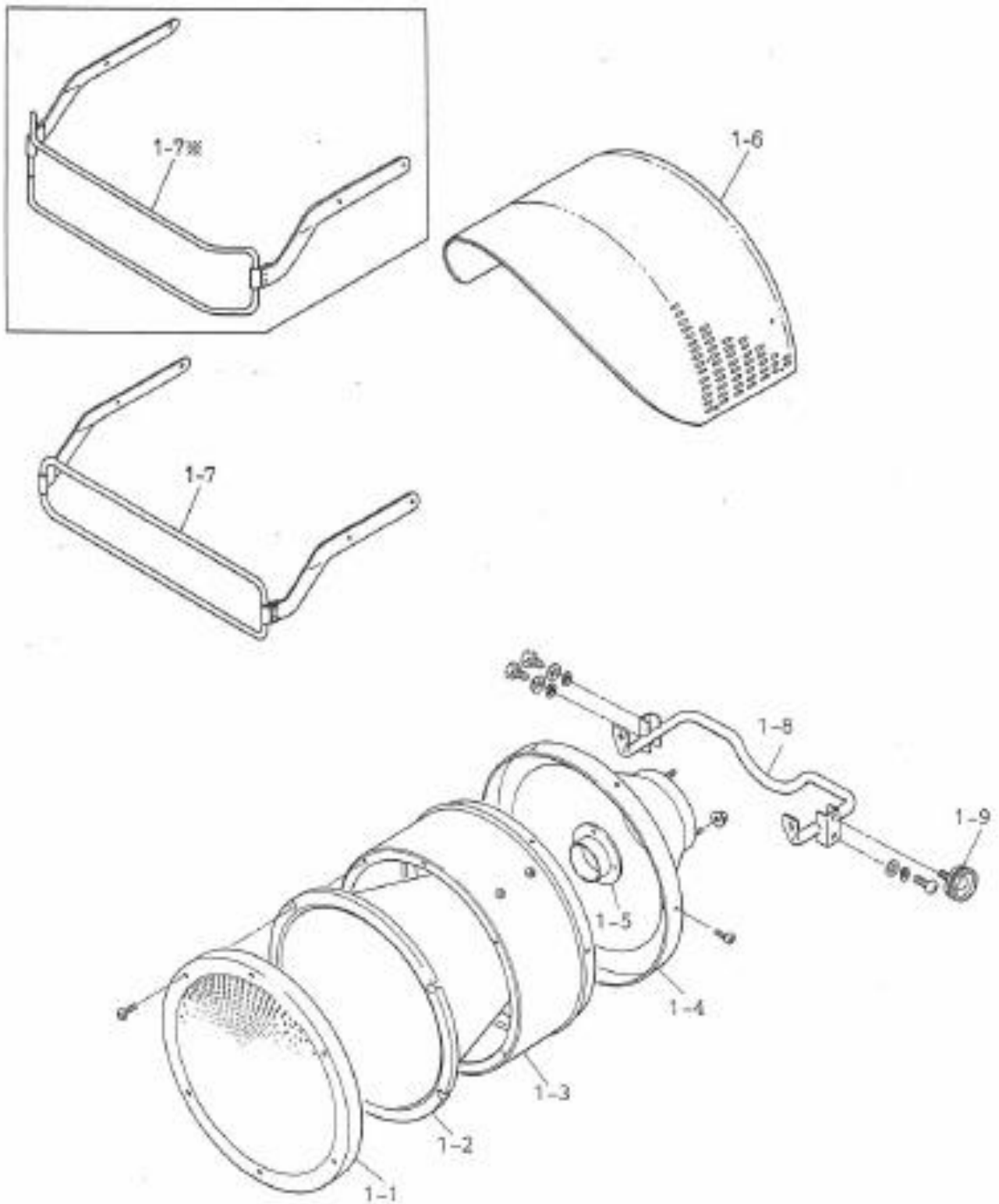
# THERMOBILE®

## VAL 6 1-STEP / 2-STEP MAIN UNIT



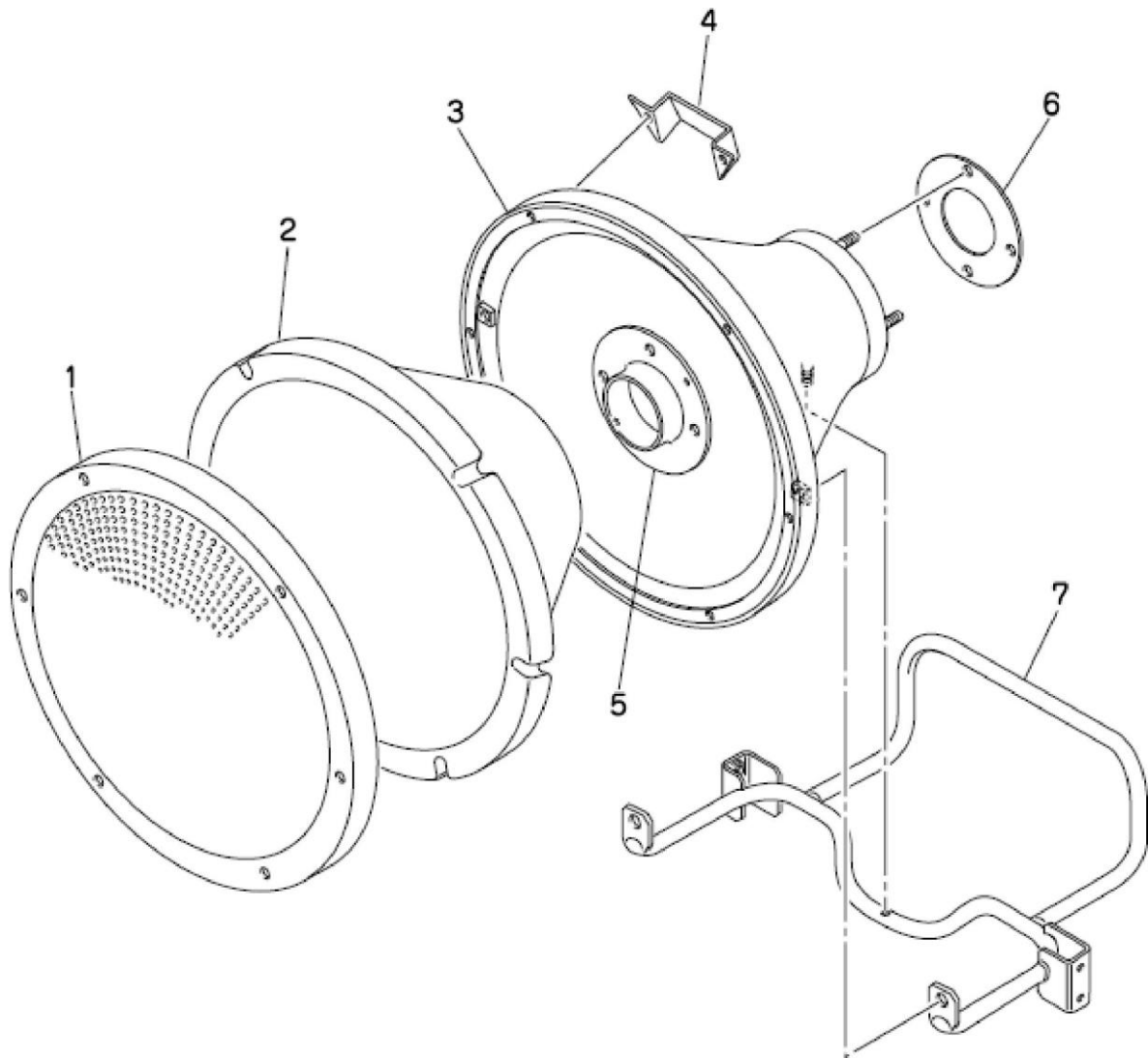
# THERMOBILE®

## VAL 6 KB MAIN UNIT



# THERMOBILE®

## VAL 6 MIDI MAIN UNIT



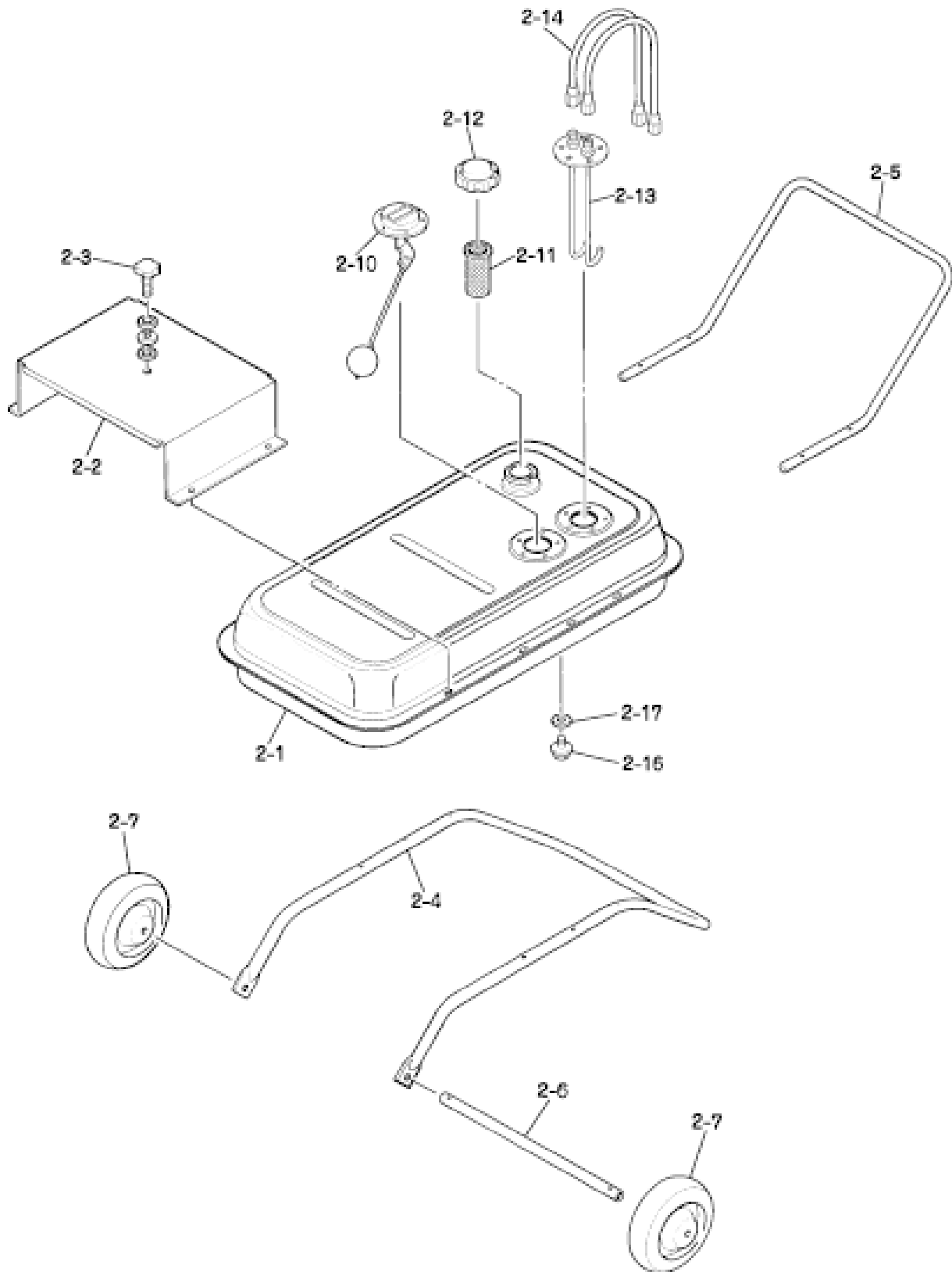
## Parts unit maine unit VAL

| Part number | Pos  | Q`-unit | Part name             | V-Midi | V-KBE | V-1step | V-2step | Remarks                |
|-------------|------|---------|-----------------------|--------|-------|---------|---------|------------------------|
| 44.115.473  | 1-1  | 1       | Radiation disk        | •      | •     | •       | •       |                        |
| 44.118.001  | 2    | 1       | Conical insulator     | •      |       |         |         |                        |
| 44.115.481  | 1-2  | 1       | Conical insulator     |        | •     | •       | •       |                        |
| 44.115.499  | 1-3  | 1       | Drum                  |        | •     | •       | •       |                        |
| 44.118.002  | 3    | 1       | Conical housing       | •      |       |         |         | Including labelplate   |
| 44.115.507  | 1-4  | 1       | Conical housing       |        | •     | •       | •       |                        |
| 44.115.515  | 1-5  | 1       | Burner fitting piece  | •      | •     | •       | •       |                        |
| 44.116.224  | 1-6  | 1       | Visor                 |        | •     | •       | •       |                        |
| 44.115.374  | 1-6  | 1       | Burner packing        | •      | •     | •       | •       | Also pos. 3-74         |
| 44.116.232  | 1-7  | 1       | Guard rail            |        | •     | •       | •       |                        |
| 44.118.005  | 1-7  | 1       | Burner support        | •      |       |         |         |                        |
| O/R         | 1-8  | 1       | Burner support        |        | •     | •       | •       |                        |
| 44.115.549  | 1-9  | 1       | Clamp bolt (rh)       |        |       | •       | •       |                        |
| O/R         | 1-9  | 1       | Angle adjustment bolt |        | •     |         |         | M8                     |
| 44.115.556  | 1-10 | 1       | Clamp bolt (lh)       |        |       | •       | •       | Till 2006/2007 (j-lot) |
| 44.115.564  | 1-11 | 1       | Clamp lever           |        |       | •       | •       | Till 2007 2 pieces     |
| O/R         | 1-12 | 2       | Washer                |        |       | •       | •       |                        |

O/R = On Request

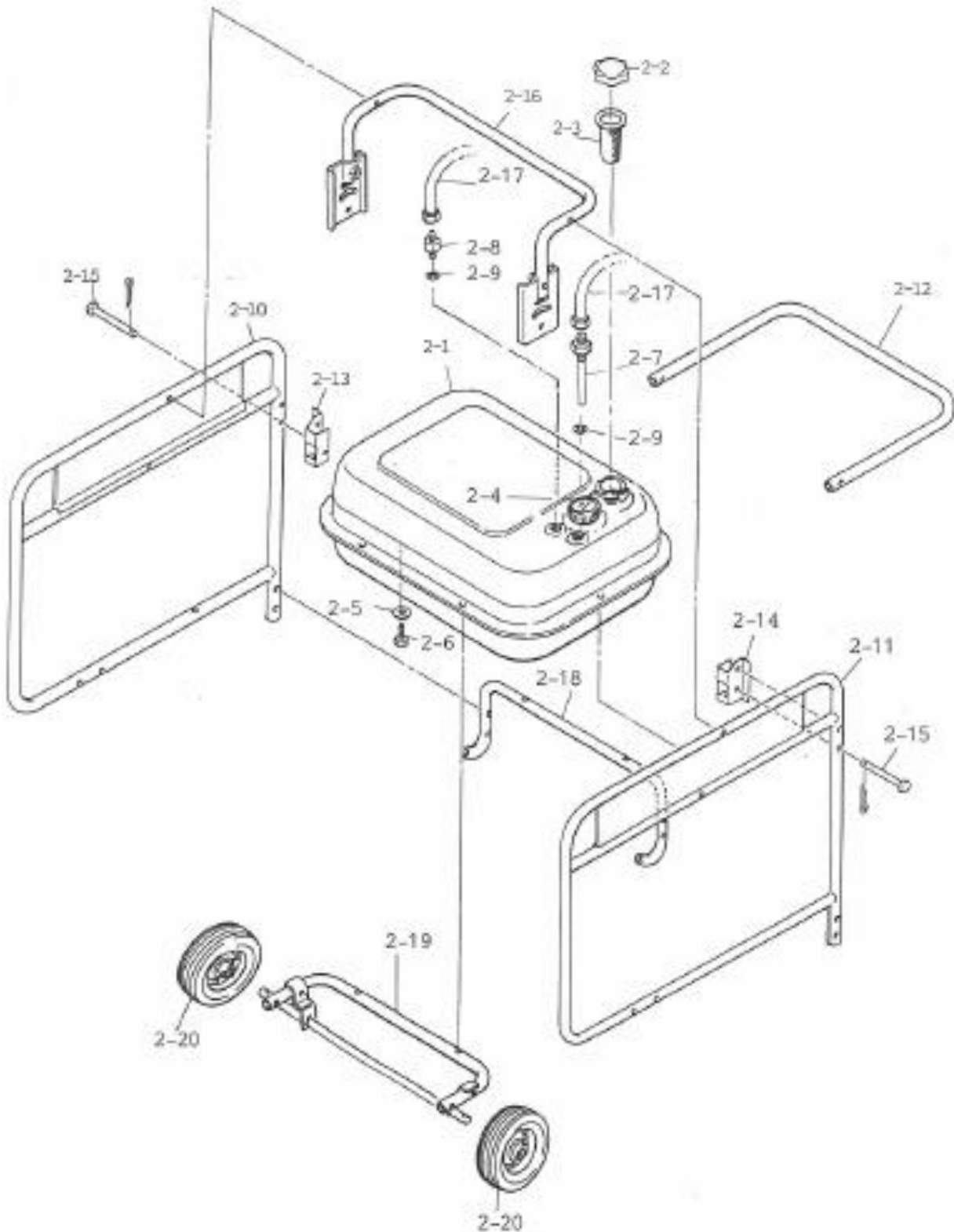
# THERMOBILE®

## Fuel tank VAL-6 1-step/2-step





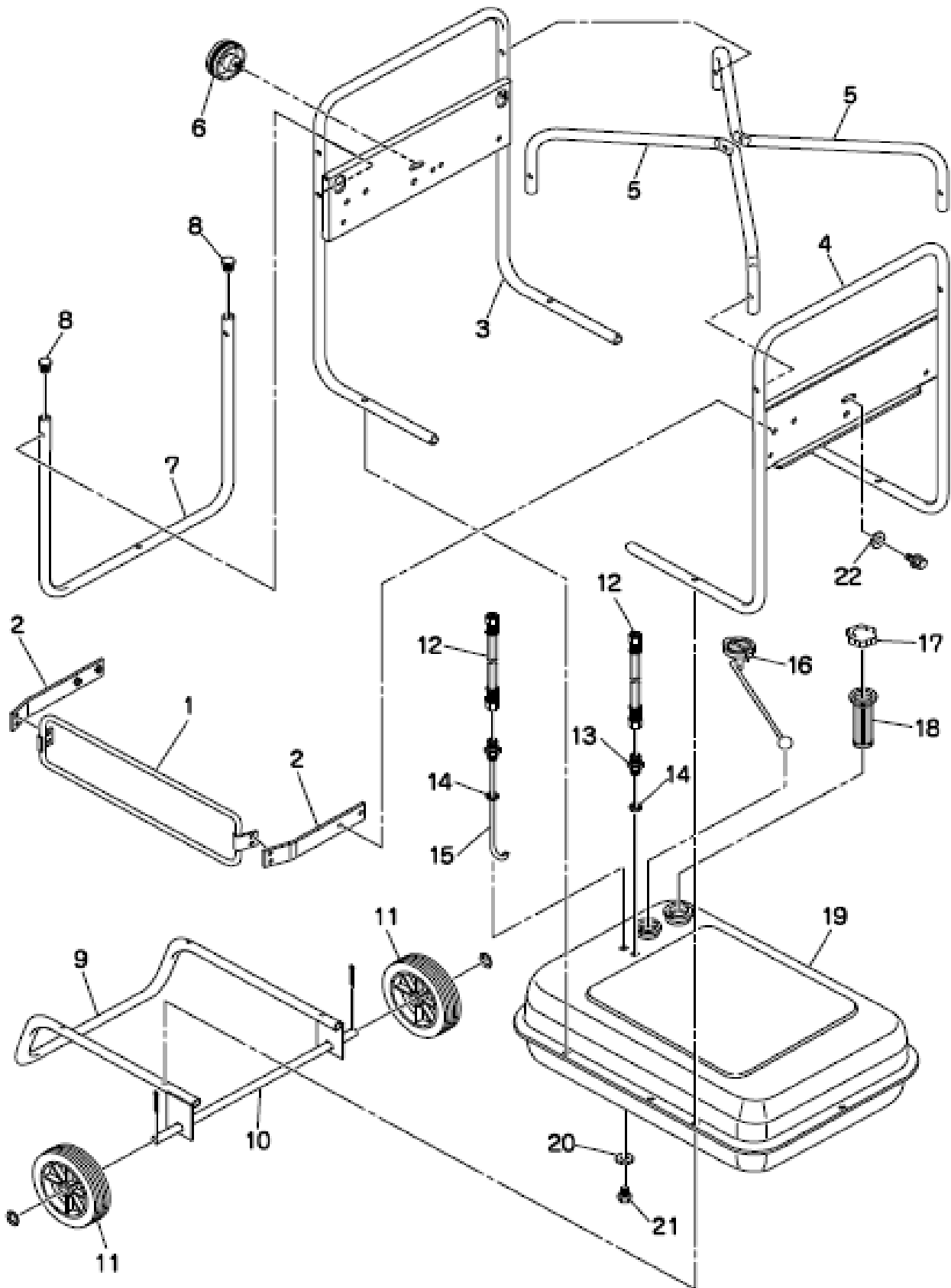
## Fuel tank VAL-6 KB





# THERMOBILE®

## Fuel tank VAL-6 MIDI



# THERMOBILE®

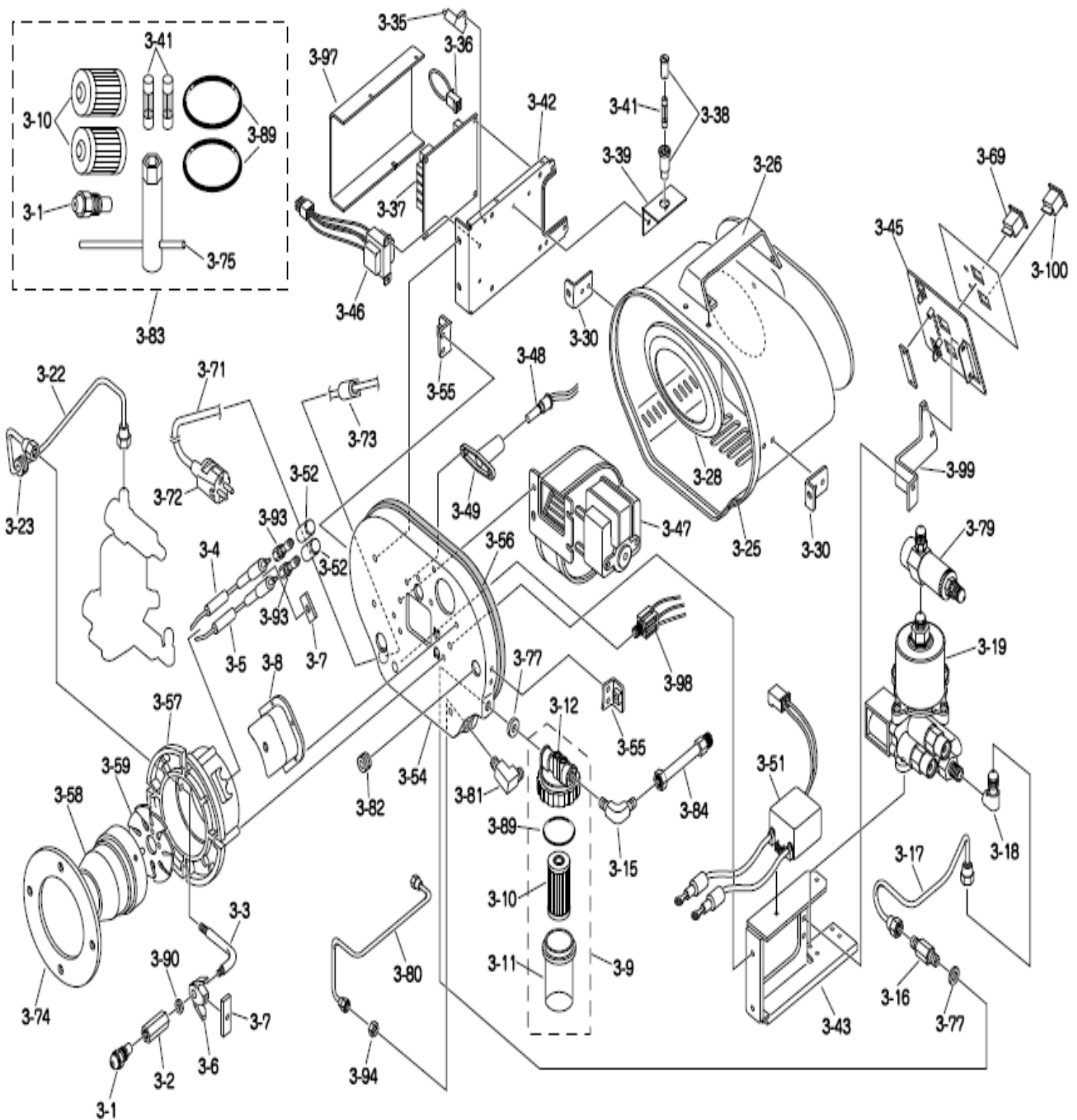
## FUEL TANK VAL

| Part number | Pos       | Q`-unit | Part name             | V-Midi | V-KBE | V-1step | V-2step | Remarks   |
|-------------|-----------|---------|-----------------------|--------|-------|---------|---------|-----------|
| 44.115.382  | 2-1       | 1       | Fuel tank             |        |       | •       | •       | 40 liters |
| 44.115.383  | 2-1       | 1       | Fuel tank             |        | •     |         |         | 57 liters |
| 44.118.022  | 2-19      | 1       | Fuel tank             | •      |       |         |         |           |
| 44.116.167  | 2-2       | 1       | Swivel base           |        |       | •       | •       |           |
| 44.115.440  | 2-2/12    | 1       | Tank cap              |        |       | •       | •       |           |
| 44.118.055  | 17        | 1       | Tank cap              | •      | •     |         |         |           |
| 44.115.432  | 2-11      | 1       | Tank filter           |        |       | •       | •       |           |
| 44.118.021  | 2-3/18    | 1       | Tank filter           | •      | •     |         |         |           |
| 44.115.465  | 2-14      | 2       | Fuel hose             |        |       | •       | •       |           |
| 44.118.016  | 2-12      | 2       | Fuel hose             | •      | •     |         |         |           |
| 44.118.020  | 2-4/16    | 1       | Fuel gauge            | •      | •     |         |         |           |
| 44.115.424  | 2-10      | 1       | Fuel gauge            |        |       | •       | •       |           |
| 44.115.409  | 2-5/17/20 | 1       | Drain packing         | •      | •     | •       | •       | M16       |
| 44.115.409  | 2-6/18/21 | 1       | Drain bolt            | •      | •     | •       | •       | M16       |
| 44.118.019  | 2-7/15    | 1       | Suction pipe          | •      | •     |         |         |           |
| 44.115.458  | 2-13      | 1       | Suction pipe          |        |       | •       | •       |           |
| 44.118.017  | 2-8/13    | 1       | Return nipple         | •      | •     |         |         |           |
| 44.118.018  | 2-9/14    | 2       | Suction packing       | •      | •     |         |         |           |
| 44.118.006  | 2-1       | 1       | Protector bracket     | •      |       |         |         |           |
| 44.118.007  | 2-2       | 2       | Protector support     | •      |       |         |         |           |
| 44.118.008  | 3-3       | 1       | Frame right           | •      |       |         |         |           |
| 44.118.009  | 3-4       | 1       | Frame left            | •      |       |         |         |           |
| 44.118.010  | 2-5       | 2       | Frame connection pipe | •      |       |         |         |           |
| 44.118.011  | 3-7       | 1       | Knob bolt             | •      |       |         |         |           |
| 44.118.014  | 2-9       | 1       | Tank leg              | •      |       |         |         |           |
| 44.116.182  | 2-2       | 1       | Tank leg              |        |       | •       | •       |           |
| 44.118.015  | 2-10      | 1       | Ax                    | •      |       |         |         |           |
| 44.116.190  | 2-5       | 1       | Grip                  |        |       | •       | •       |           |
| 44.115.389  | 2-6       | 1       | Wheel shaft           |        |       | •       | •       | L=583mm   |
| 44.115.390  | 2-7       | 2       | Wheel                 | •      | •     | •       | •       |           |
| 44.118.012  | 2-7       | 1       | Handle                | •      |       |         |         |           |
| 44.118.013  | 2-8/21    | 2       | Pipe end cap          | •      | •     |         |         |           |
| 44.115.465  | 2-14      | 2       | Flex. Oil hose        |        |       | •       | •       |           |
| 44.118.016  | 2-12      | 2       | Flex. Oil hose        | •      | •     |         |         |           |

# THERMOBILE®

VAL 6 1-step/2-step

VAL KB



# THERMOBILE®

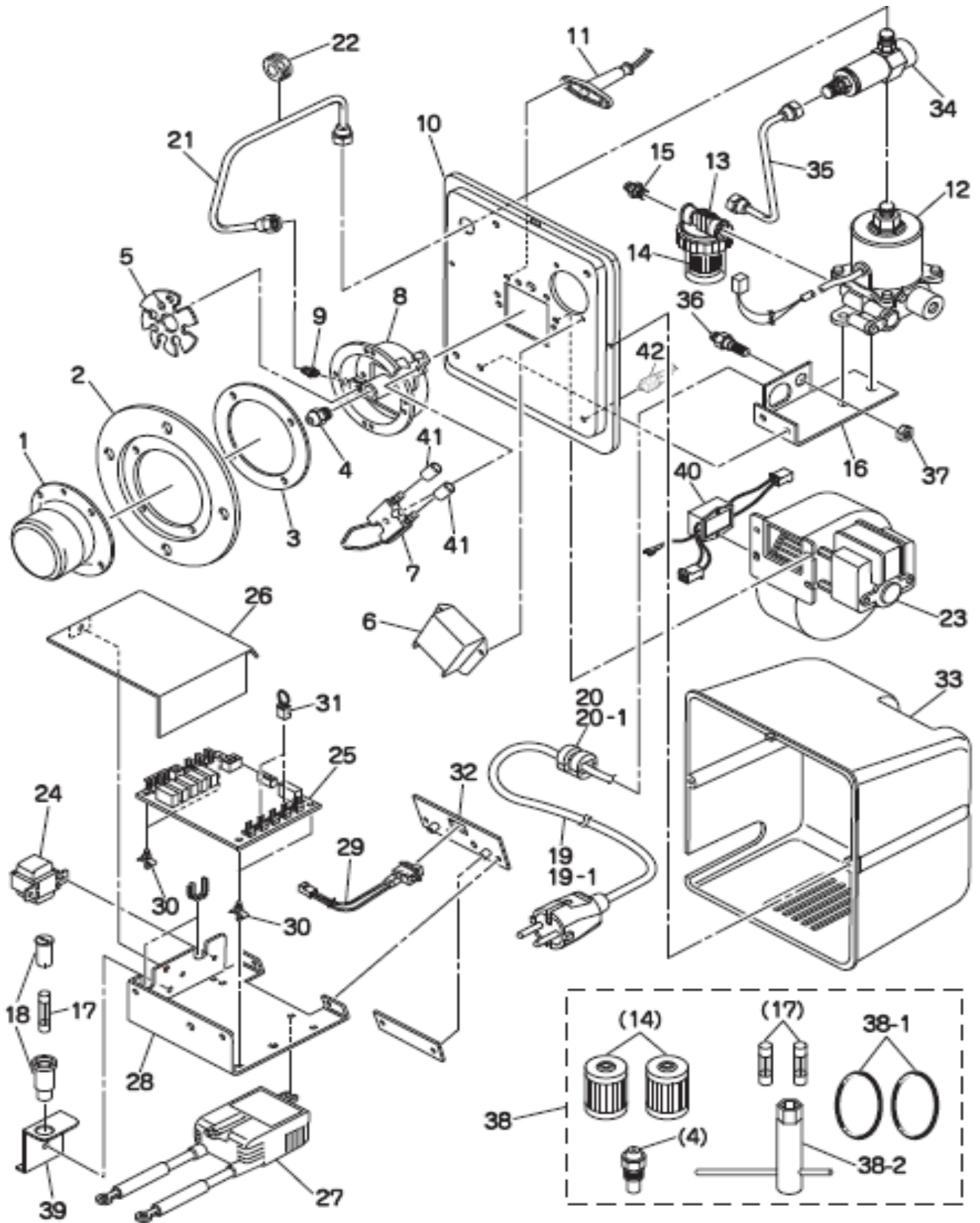
| Pos. no. | Part name               | Number     | Q`TY | 1-st | 2-st | KB | remarks         |
|----------|-------------------------|------------|------|------|------|----|-----------------|
| 3-1      | Nozzle 1G               | 44.115.614 | 1    | ●    |      | ●  |                 |
| 3-1      | Nozzle 0,85G            | 44.115.615 | 1    |      | ●    |    |                 |
| 3-2      | Nozzle holder           | 44.115.622 | 1    | ●    | ●    | ●  |                 |
| 3-3      | Nozzle pipe             | 44.115.662 | 1    | ●    | ●    | ●  |                 |
| 3-4      | Electrode (rh)          | 44.115.218 | 1    | ●    | ●    | ●  | Include 3-93    |
| 3-5      | Electrode (lh)          | 44.115.200 | 1    | ●    | ●    | ●  | Include 3-93    |
| 3-6      | Electrode stay          | 44.115.648 | 1    | ●    | ●    | ●  |                 |
| 3-7      | Electrode fitting plate | 44.115.655 | 2    | ●    | ●    | ●  |                 |
| 3-8      | Electrode cover         |            | 1    | ●    | ●    | ●  |                 |
| 3-9      | Fuel filter comp.long   | 44.115.226 | 1    | ●    | ●    | ●  | Old model       |
| 3-9      | Fuel filter comp. short |            |      | ●    | ●    | ●  |                 |
| 3-10     | Filter element long     | 44.115.235 | 1    | ●    | ●    | ●  | Old model       |
| 3-10     | Filter element short    | 44.115.234 | 1    | ●    | ●    | ●  |                 |
| 3-11     | Filter bowl long        | 44.115.672 | 1    | ●    | ●    | ●  | Old model       |
| 3-11     | Filter bowl short       | 44.115.671 | 1    | ●    | ●    | ●  |                 |
| 3-12     | Filter body             |            | 1    | ●    | ●    | ●  |                 |
| 3-15     | Elbow nipple            | 44.115.242 | 1    | ●    | ●    | ●  |                 |
| 3-16     | Filter nipple           | 44.115.259 | 1    | ●    | ●    | ●  |                 |
| 3-17     | Fuel intake line        | 44.116.613 | 1    | ●    | ●    | ●  |                 |
| 3-18     | Pump elbow              | 44.115.267 | 1    | ●    |      | ●  |                 |
| 3-18     | Pump elbow              | 44.115.268 | 1    | ●    |      | ●  |                 |
| 3-19     | Fuel pump               | 44.115.257 | 1    | ●    |      | ●  | From 2005       |
| 3-19     | Fuel pump               | 44.116.700 | 1    |      | ●    |    | From 2005       |
| 3-22     | Fuel outlet line        | 44.115.309 | 1    | ●    | ●    | ●  |                 |
| 3-23     | Pump nozzle grommet     | 44.115.713 | 1    | ●    | ●    | ●  |                 |
| 3-25     | Housing                 | 44.115.739 | 1    | ●    | ●    | ●  | Incl.3-26/28/30 |
| 3-26     | Housing grip            | 44.115.747 | 1    | ●    | ●    | ●  |                 |
| 3-28     | Gasket house            | 44.115.762 | 1    | ●    | ●    | ●  |                 |
| 3-30     | Housing fitting piece   | 44.115.788 | 2    | ●    | ●    | ●  |                 |
| 3-35     | Condenser               | 44.118.049 | 1    | ●    | ●    | ●  | Till 2005/2006  |
| 3-37     | Burner control          | 44.115.317 | 1    | ●    |      | ●  | From 2006/2007  |
| 3-38     | Fuse holder             | O/R        | 1    | ●    | ●    | ●  |                 |
| 3-39     | Fuse holder bracket     | O/R        | 1    | ●    | ●    | ●  |                 |
| 3-41     | Fuse 3 amp.             | 44.115.887 | 1    | ●    | ●    | ●  |                 |
| 3-42     | Control chassis         | O/R        | 1    | ●    | ●    | ●  |                 |
| 3-43     | Pump /tranf. bracket    | O/R        | 1    | ●    | ●    | ●  |                 |
| 3-44     | Chassis grummet         | 44.115.911 | 1    | ●    | ●    | ●  | Diam. 19        |
| 3-46     | Step down transformer   | ?          | 1    | ●    | ●    | ●  |                 |
| 3-47     | Fan motor               | 44.115.325 | 1    | ●    |      | ●  |                 |
| 3-47     | Fan motor               | 44.116.612 | 1    |      | ●    |    |                 |
| 3-48     | Foto cell               | 44.115.333 | 1    |      |      |    |                 |
| 3-49     | Foto cell holder        | O/R        | 1    | ●    | ●    | ●  |                 |
| 3-50     | Foto cell bracket       | O/R        | 1    | ●    | ●    | ●  |                 |
| 3-51     | Ignition transformer    | 44.116.615 | 1    | ●    | ●    | ●  | From 2006/2007  |
| 3-51     | Ignition transformer    | 44.115.960 | 1    | ●    | ●    | ●  | Old model       |

# THERMOBILE®

| Pos. no. | Part name             | Number     | Q`TY | 1-st | 2-st | KB | remarks |
|----------|-----------------------|------------|------|------|------|----|---------|
| 3-51a    |                       | 44.115.341 | 2    | •    | •    | •  |         |
| 3-52     | Insulating cap        | O/R        | 2    | •    | •    | •  |         |
| 3-54     | Housing end           | O/R        | 1    | •    | •    | •  |         |
| 3-55     | Housing fitting piece | O/R        | 2    | •    | •    | •  |         |
| 3-56     | Housing seal          | 44.115.994 | 1    | •    | •    | •  |         |
| 3-57     | Burner boss           | 44.116.000 | 1    | •    | •    | •  |         |
| 3-58     | Burner cone           | 44.116.018 | 1    | •    | •    | •  |         |
| 3-59     | Swevil disc           | 44.116.026 | 1    | •    | •    | •  |         |
| 3-65     | Misfire lamp          | 44.116.067 | 1    | •    | •    | •  |         |
| 3-67     | Operation lamp        | 44.116.281 | 1    | •    | •    | •  |         |
| 3-69     | Switch                | 44.116.366 | 1    | •    | •    | •  |         |
| 3-71     | Cable with plug       | 40.707.136 | 1    | •    | •    | •  |         |
| 3-74     | Burner gasket         | 44.116.374 | 1    | •    | •    | •  |         |
| 3-74     | Burner gasket         | 44.115.374 | 1    | •    | •    | •  |         |
| 3-75     | Nozzle spanner        | 44.116.133 | 1    | •    | •    | •  |         |
| 3-79     | Air vent valve        | 44.116.166 | 1    | •    | •    | •  |         |
| 3-80     | Return line           | 44.116.161 | 1    | •    | •    | •  |         |
| 3-81     | Return line nipple    | O/R        | 1    | •    | •    | •  |         |
| 3-82     | Rubber cap            | O/R        | 1    | •    | •    | •  | 15mm.   |
| 3-83     | Repair set            | 44.116.634 | 1    | •    | •    | •  |         |
| 3-89     | O-ring                | 44.116.141 | 1    | •    | •    | •  |         |
| 3-93     | Electrode nipple      | 44.116.380 | 2    | •    | •    | •  |         |
| 3-97     | Burner control cover  | O/R        | 1    | •    | •    | •  |         |
| 3-100    | Change over switch    |            | 2    |      | •    |    |         |
|          |                       |            |      |      |      |    |         |
|          |                       |            |      |      |      |    |         |
|          |                       |            |      |      |      |    |         |
|          |                       |            |      |      |      |    |         |
|          |                       |            |      |      |      |    |         |
|          |                       |            |      |      |      |    |         |
|          |                       |            |      |      |      |    |         |
|          |                       |            |      |      |      |    |         |
|          |                       |            |      |      |      |    |         |

# THERMOBILE®

## BURNER VAL 6 MIDI



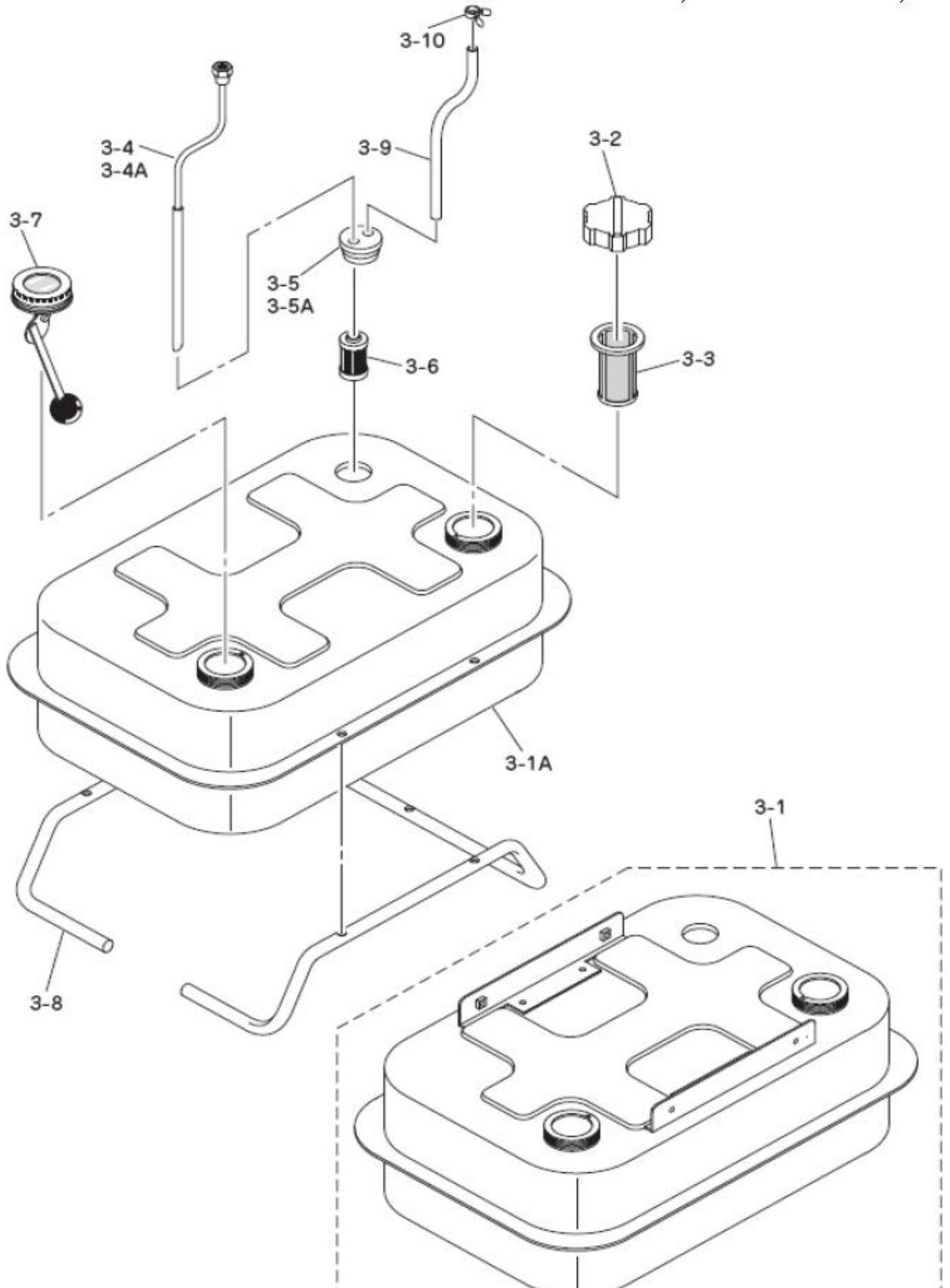


# THERMOBILE®

| Pos. no. | Part name                   | Number     | Q`TY | remarks              |
|----------|-----------------------------|------------|------|----------------------|
| 2-1      | Burner cone                 | 44.118.025 | 1    |                      |
| 2-2      | Burner flange               | 44.118.008 | 1    |                      |
| 2-3      | Diffuser packing            | 44.118.026 | 1    |                      |
| 2-4      | Nozzle                      | 44.115.616 | 1    | 0,85 G 60°           |
| 2-5      | Whirl vane                  | 44.118.027 | 1    |                      |
| 2-6      | Electrode cover             | 44.118.028 | 1    | Include 3-93         |
| 2-7      | Electrode                   | 44.118.028 | 1    | From /2005/2006      |
| 2-8      | Diffuser                    | 44.118.030 | 1    |                      |
| 2-9      | Nozzle nipple               | O/R        | 1    |                      |
| 2-10     | Burner base                 | 44.118.031 | 1    |                      |
| 2-11     | Flame monitor complete      | 44.118.032 | 1    |                      |
| 2-12     | Fuel pump                   | 44.118.033 | 1    |                      |
| 2-13     | Fuel filter complete (long) | 44.115.226 | 1    | Old model            |
| 2-14     | Filter element long         | 44.115.235 | 1    | Old model            |
| 2-14A    | Filter element short        | 44.115.234 | 1    |                      |
| 2-14B    | Filter bowl long            | 44.115.672 | 1    | Old model            |
| 2-14C    | Filter bowl short           | 44.115.671 | 1    |                      |
| 2-15     | Filter nipple               | 44.115.259 | 1    |                      |
| 2-16     | Pump bracket                | O/R        | 1    |                      |
| 2-17     | Fuse                        | 44.115.887 | 1    |                      |
| 2-18     | Fuse holder                 | O/R        | 1    |                      |
| 2-19     | Cable with plug             | 40.707.136 | 1    |                      |
| 2-20     | Cable stopper               | O/R        | 1    |                      |
| 2-21     | Fuel outlet line            | 44.118.037 | 1    |                      |
| 2-22     | Pump nozzle grommet         | O/R        | 1    |                      |
| 2-23     | Fan motor                   | 44.118.038 | 1    |                      |
| 2-24     | Step down transformer       | 44.115.960 | 1    |                      |
| 2-25     | Burner control              | 44.115.317 | 1    | From 2006/2007       |
| 2-26     | Burner control cover        | 44.118.039 | 1    |                      |
| 2-27     | Ignition transformer        | 44.118.040 | 1    |                      |
| 2-28     | Control chassis             | 44.118.041 | 1    |                      |
| 2-29     | Switch assembly             | 44.115.762 | 1    |                      |
| 2-30     | Control support             | 44.118.043 | 1    |                      |
| 2-31     | Short circuit cord          | O/R        | 1    | From 2007 not needed |
| 2-32     | Face plate                  | 44.118.044 | 1    | With label from 2008 |
| 2-33     | Burner cover                | 44.118.045 | 1    |                      |
| 2-34     | Air vent valve              | 44.116.166 | 1    |                      |
| 2-35     | Return line                 | 44.118.046 | 1    |                      |
| 2-36     | Return line nipple          | O/R        | 1    |                      |
| 2-37     | Nipple fitting nut          | O/R        | 1    |                      |
| 2-38     | Repair set                  | 44.116.141 | 1    |                      |
| 2-38A    | O-ring                      | 44.116.141 | 1    |                      |
| 2-39     | Fuse holder bracket         | 44.118.048 | 1    |                      |
| 2-40     | Noise filter                | 44.118.049 | 1    |                      |
| 2-41     | Isolation cap               | O/R        | 2    |                      |
| 2-42     | Jack                        | O/R        | 1    |                      |
|          |                             |            |      |                      |
|          |                             |            |      |                      |



## TANK VAL 6 DAYSTAR



## TANK VAL 6 DAYSTAR

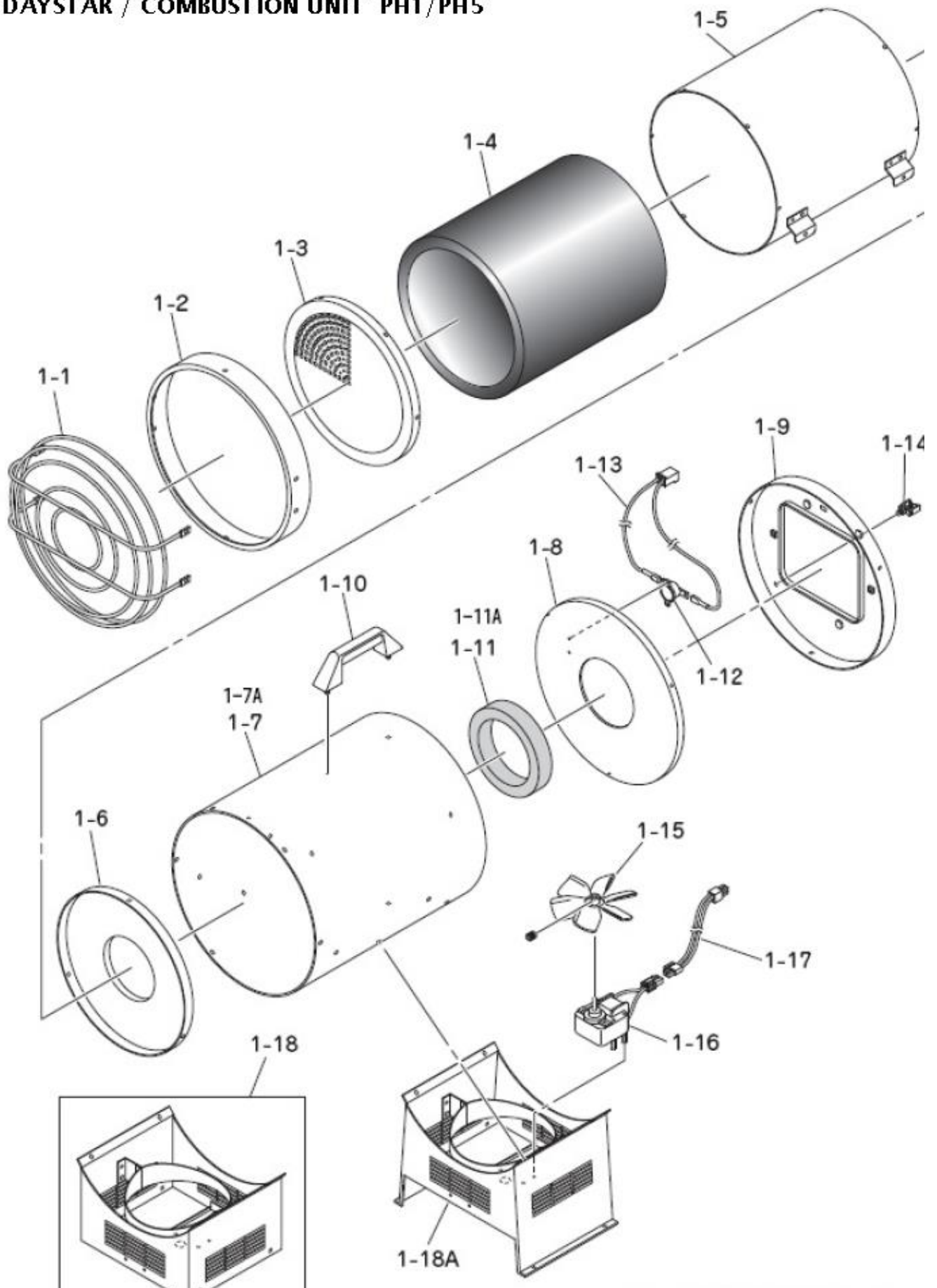
| Pos.no. | Part name              | Part number  | Qty | Remarks             |
|---------|------------------------|--------------|-----|---------------------|
| 3-1     | Fuel tank              | 50317 103007 | 1   | 10 liter, from 2005 |
| 3-2     | Tank cap               | 50317 103003 | 1   |                     |
| 3-3     | Tank inlet filter      | 50263 203028 | 1   | Till 2008           |
| 3-4     | Suction pipe assembly  | 50317 103011 | 1   | From 2006           |
| 3-5     | Float switch sael      | 50238 203003 | 1   | Till 2005           |
| 3-5A    | Suction return packing | 40317 203013 | 1   | From 2006           |
| 3-6     | Filter element         | 44.116.625   | 1   | 15u                 |
| 3-7     | Fuel gauge             | 50317        | 1   |                     |
| 3-8     | Stand                  | 50317 203007 | 1   |                     |
| 3-9     | Return line            | 50317 203014 | 1   |                     |
| 3-10    | Hose clamp             | 50317 202016 | 1   |                     |

## Combustion unit Daystar

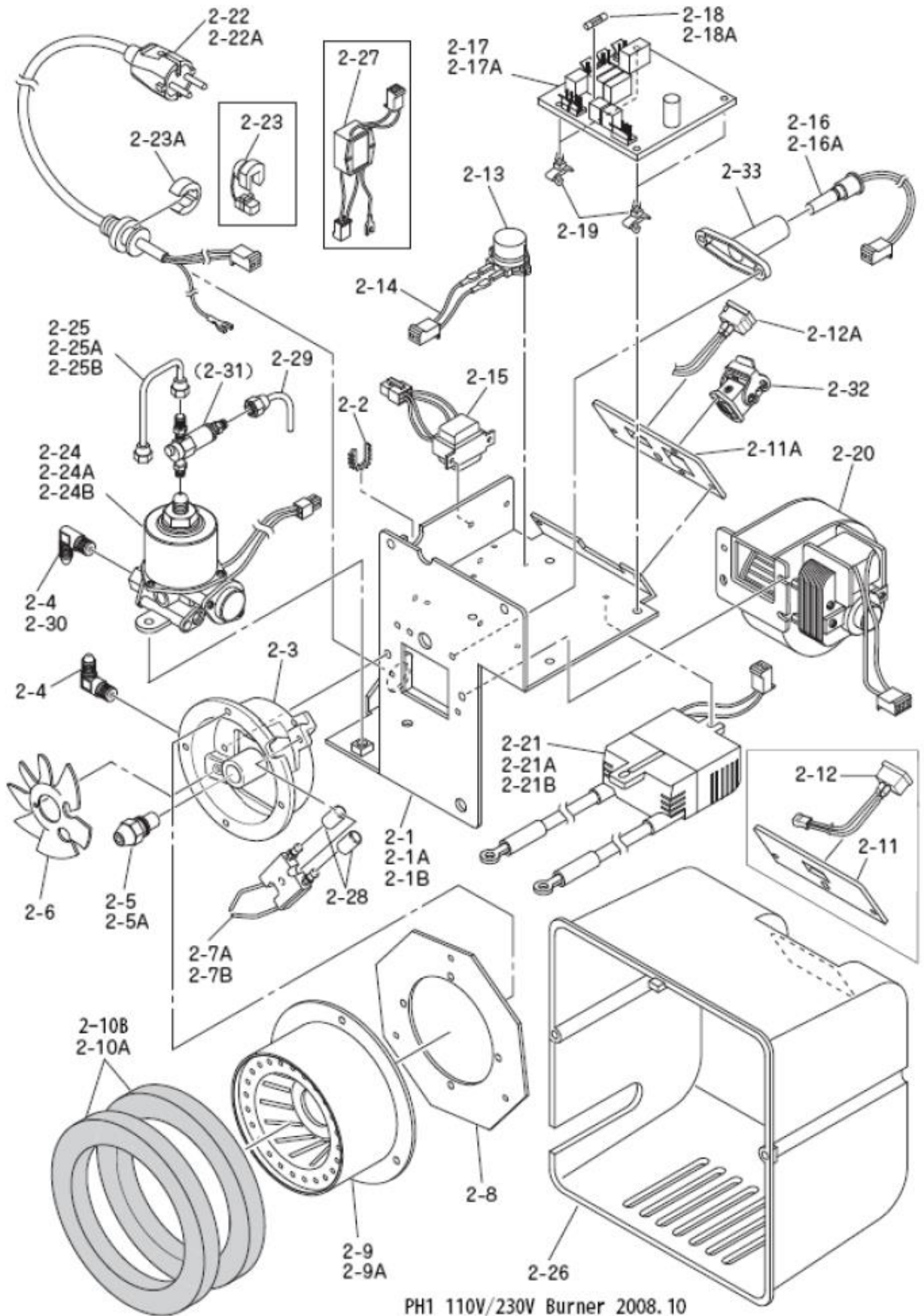
| Pos.no. | Part name                 | Part number  | Qty | Remarks           |
|---------|---------------------------|--------------|-----|-------------------|
| 1-1     | Protector assembly        | 50317 101004 | 1   |                   |
| 1-2     | Drum front ring           | 50319 201002 | 1   |                   |
| 1-3     | Radiation disc            | 50317 201002 | 1   |                   |
| 1-4     | Inner cylinder            | 50317 201004 | 1   | Till 2009         |
| 1-4A    | Inner cylinder            | 50317 201012 | 1   | From 2010         |
| 1-5     | Outer cylinder            | 50317 101003 | 1   |                   |
| 1-6     | Cylinder end              | 50310 201012 | 1   |                   |
| 1-7     | Drum                      | 50317 201003 | 1   | From 2006         |
| 1-8     | Insulator                 | 50310 201008 | 1   | Till 2009         |
| 1-8A    | Insulator                 | 50317 201011 | 1   | From 2009         |
| 1-9     | Drum end                  | 50317 201003 | 1   |                   |
| 1-10    | Grip                      | 50310 201022 | 1   |                   |
| 1-11    | Burner cone gasket        | 50310 201021 | 1   | Till 2005         |
| 1-11A   | Burner draft gasket       | 50317 201009 | 1   | From 2006 to 2009 |
| 1-11B   | Combustion chamber gasket | 50317 201013 | 1   | From 2006 to 2009 |
| 1-12    | Overheat sensor           | 50229 202061 | 1   |                   |
| 1-13    | Overheat sensor cable     | 50310 201024 | 1   |                   |
| 1-14    | Cable clip                | 50310 201025 | 1   |                   |
| 1-15    | Fan                       | 50310 201020 | 1   |                   |
| 1-16    | Fan motor                 | 50317 201010 | 1   | From 2009         |
| 1-17    | Relay cable               | 50317 203019 | 1   | From 2009         |
| 1-18    | Drum base                 | 50317 103009 | 1   | Till 2009         |
| 1-18A   | Drum base                 | 50317 103012 | 1   | From 2009         |
| 1-19    | Motor cord bushing        | 50320 202018 | 1   | From 2009         |

# THERMOBILE®

## DAYSTAR / COMBUSTION UNIT PH1/PH5



## DAYSTAR / BURNER PH1



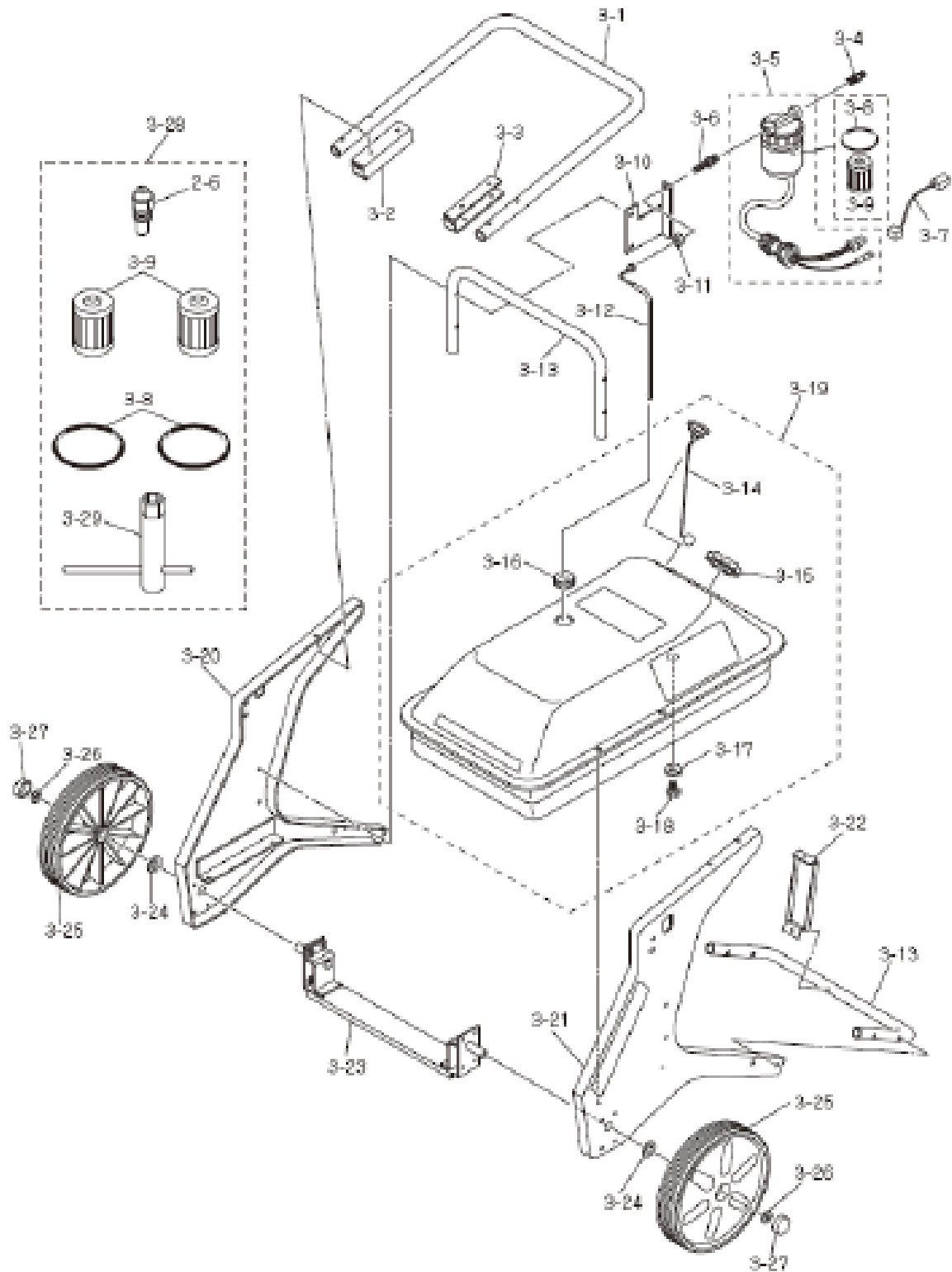


## Burner unit Daystar

| Pos.no. | Part name             | Part number  | Qty | Remarks                    |
|---------|-----------------------|--------------|-----|----------------------------|
| 2-1     | Burner base           | 50319 102005 | 1   | From 2006                  |
| 2-2     | Free grommet          | 50263 202010 | 1   |                            |
| 2-3     | Diffuser              | 50262 202001 | 1   |                            |
| 2-4     | Pump nipple           | 50204 201025 | 2   | From 2006                  |
| 2-5     | Nozzle                | 50317 202010 | 1   | Till 2005                  |
| 2-5A    | Nozzle                | 50319 202013 | 1   | From 2006                  |
| 2-6     | Whirl vane            | 50319 202024 | 1   | Till 2009                  |
| 2-6A    | Whirl vane            | 50319 202027 | 1   | From 2009                  |
| 2-7     | Electrode             | 50319 202017 | 1   | From 2006                  |
| 2-8     | Burner cone bracket   | 50310 202004 | 1   | Till 2009                  |
| 2-9A    | Burner cone           | 50319 102006 | 1   | Till 2009                  |
| 2-9B    | Burner cone           | 50319 202026 | 1   | From 2009                  |
| 2-10A   | Burner draft gasket   | 50319202025  | 2   | Till 2009                  |
| 2-10B   | Burner gasket         | 50319 202028 | 2   | From 2009                  |
| 2-12    | Switch assembly       | 50319 102009 | 1   | From 2009                  |
| 2-13    | Tip-over switch       | 50298 202015 | 1   |                            |
| 2-14    | Tip-over swicth cable | 50310 202017 | 1   |                            |
| 2-15    | Transformer           | 50291 201003 |     |                            |
| 2-16A   | Foto cell             | 50262 102008 | 1   | Till 2006 with 2-33 holder |
| 2-16B   | Foto cell             | 50306 101003 | 1   | From 2006                  |
| 2-17    | Burner control        | 50319 202008 | 1   | From 2005                  |
| 2-18    | Midget fuse (1,6A)    | 50291 201006 | 1   | From 2005                  |
| 2-19    | Control support       | 50229 201037 | 4   |                            |
| 2-20    | Fan motor             | 50319 202004 | 1   |                            |
| 2-21    | Ignition divice       | 50319 202002 | 1   | From 2006                  |
| 2-22    | Power cable           | 50319 2A2002 | 1   | From 2006 with 2-23        |
| 2-23    | Cable stopper         | 50205 201017 | 1   | From 2006                  |
| 2-24    | Fuel pump             | 50319 202012 | 1   | From 2006 with 2-31        |
| 2-25    | Fuel outlet line      | 50319 202014 | 1   | From 2006                  |
| 2-26    | housing               | 50319 102002 | 1   |                            |
| 2-28    | Insulating cap        | 50291 201016 | 2   |                            |
| 2-29    | Return line           | 50319 202015 | 1   | From 2006                  |
| 2-30    | Pump elbow            | 21300 503-55 | 1   | From 2006                  |
| 2-31    | Air vent valve        | 21062 003-67 | 1   | From 2006                  |
| 2-32    | Thermostat connector  | 50306 201007 | 1   | From 2006                  |
| 2-33    | Foto cell holder      | 50262 202079 | 1   |                            |

# THERMOBILE®

## TANK SECTION EPX

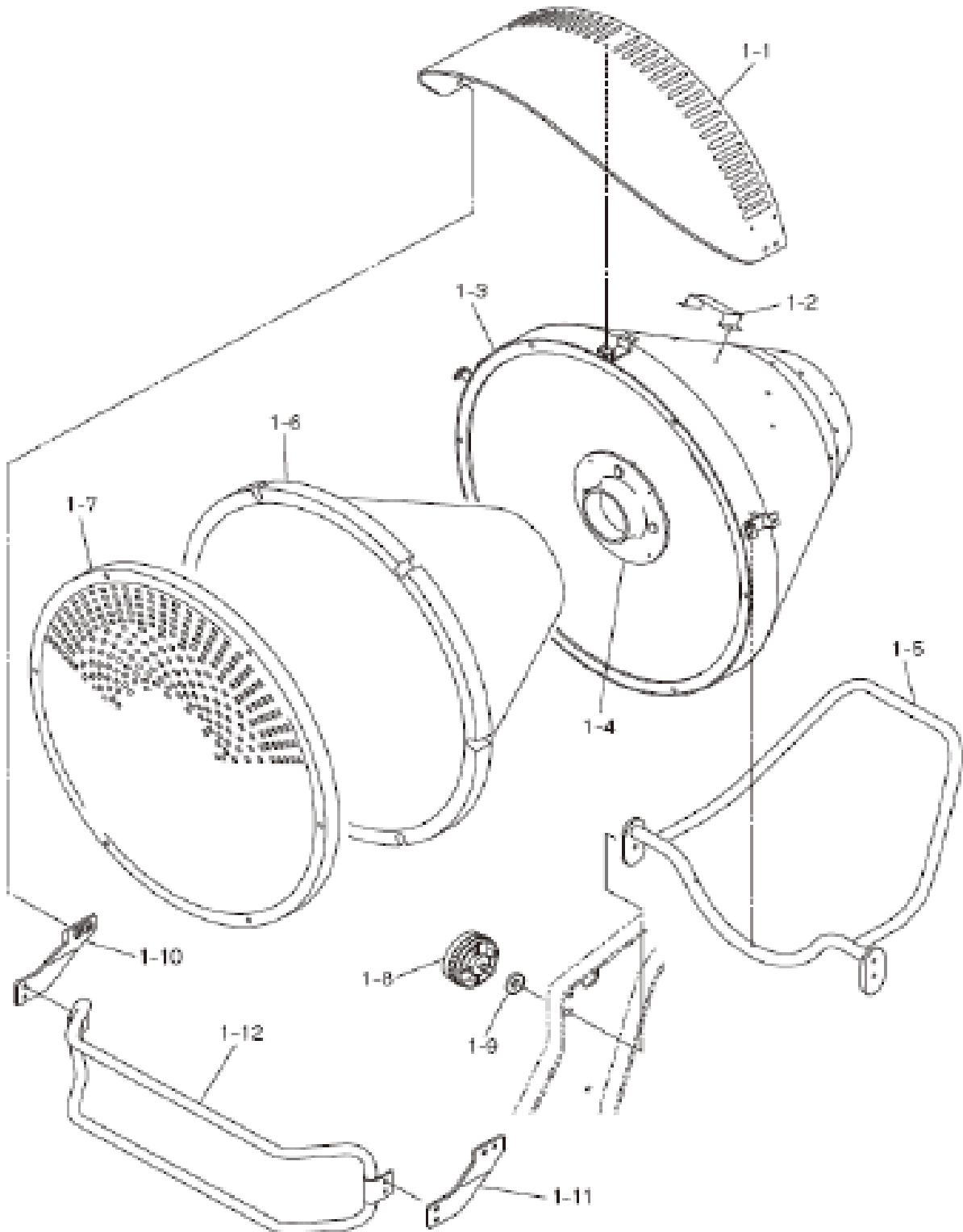


## TANK SECTION EPX

| PART NO. | PART NAME<br><COMBUSTION SECTION> | CODE NO.     | Q'TY/<br>SET | EPX1 | REMARKS                   |
|----------|-----------------------------------|--------------|--------------|------|---------------------------|
| 3-1      | HANDLE                            | 50335 202012 | 1            | •    |                           |
| 3-2      | HANDLE STAY BRACKET(L)            | 50335 202019 | 1            | •    |                           |
| 3-3      | HANDLE STAY BRACKET(R)            | 50335 202020 | 1            | •    |                           |
| 3-4      | FILTER HOSE NIPPLE                | 220310 01-43 | 1            | •    |                           |
| 3-5      | STRAINER HEATER                   | 50335 102007 | 1            | •    |                           |
|          |                                   | 50337102002  | 1            |      |                           |
| 3-6      | FILTER NIPPLE                     | 50306 201010 | 1            | •    |                           |
| 3-7      | STRAINER HEATER RELAY<br>CABLE    | 50335 201030 | 1            | •    | till G-02                 |
|          |                                   | 50335 201046 |              | •    | from G-03                 |
|          |                                   | 50337 201006 | 1            |      | till G-01                 |
|          |                                   | 50337 201009 |              |      |                           |
| 3-8      | O RING                            | 21021 003-13 | 1            | •    |                           |
| 3-9      | FILTER ELEMENT                    | 21021 003-10 | 1            | •    |                           |
| 3-10     | FILTER FITTING BRACKET            | 50335 202014 | 1            | •    |                           |
| 3-11     | NIPPLE FITTING NUT                | 21300 503-58 | 1            | •    | same as 2-19              |
| 3-12     | SUCTION PIPE ASSEMBLY             | 50335 102011 | 1            | •    |                           |
| 3-13     | SUPPORT PIPE                      | 50335 202013 | 2            | •    |                           |
| 3-14     | FUEL GAUGE                        | 50335 202021 | 1            | •    |                           |
| 3-15     | TANK CAP                          | 50335 102008 | 1            | •    |                           |
| 3-16     | SUCTION RETURN PACKING            | 50317 203013 | 1            | •    |                           |
| 3-17     | DRAIN PACKING                     | 50231 204021 | 1            | •    |                           |
| 3-18     | DRAIN BOLT                        | 50231 204020 | 1            | •    |                           |
| 3-19     | FUEL TANK ASSEMBLY                | 50335 102002 | 1            | •    | with 50335-202026 caution |
|          |                                   | 50337 102003 |              |      |                           |
| 3-20     | SIDE PANEL(L)                     | 50335 102012 | 1            | •    |                           |
| 3-21     | SIDE PANEL(R)                     | 50335 102013 | 1            | •    |                           |
| 3-22     | TANK SUPPORT BRACKET              | 50335 202011 | 1            | •    |                           |
| 3-23     | WHEEL BEARING ASSEMBLY            | 50335 102006 | 1            | •    |                           |
| 3-24     | WHEEL SPACER                      | 50335 202028 | 2            | •    |                           |
| 3-25     | WHEEL                             | 50335 202007 | 2            | •    |                           |
| 3-26     | WHEEL WASHER                      | 50335 202022 | 2            | •    |                           |
| 3-27     | SHAFT CAP                         | 50335 202010 | 2            | •    |                           |
| 3-28     | REPAIR SET                        | 50335 150002 | 1            | •    |                           |
| 3-29     | NOZZLE WRENCH                     | 21022 003-68 | 1            | •    |                           |
| option   | SHIELDING MAT(1 0pcs pack)        | 50300 205001 |              |      |                           |
|          |                                   |              |              |      |                           |



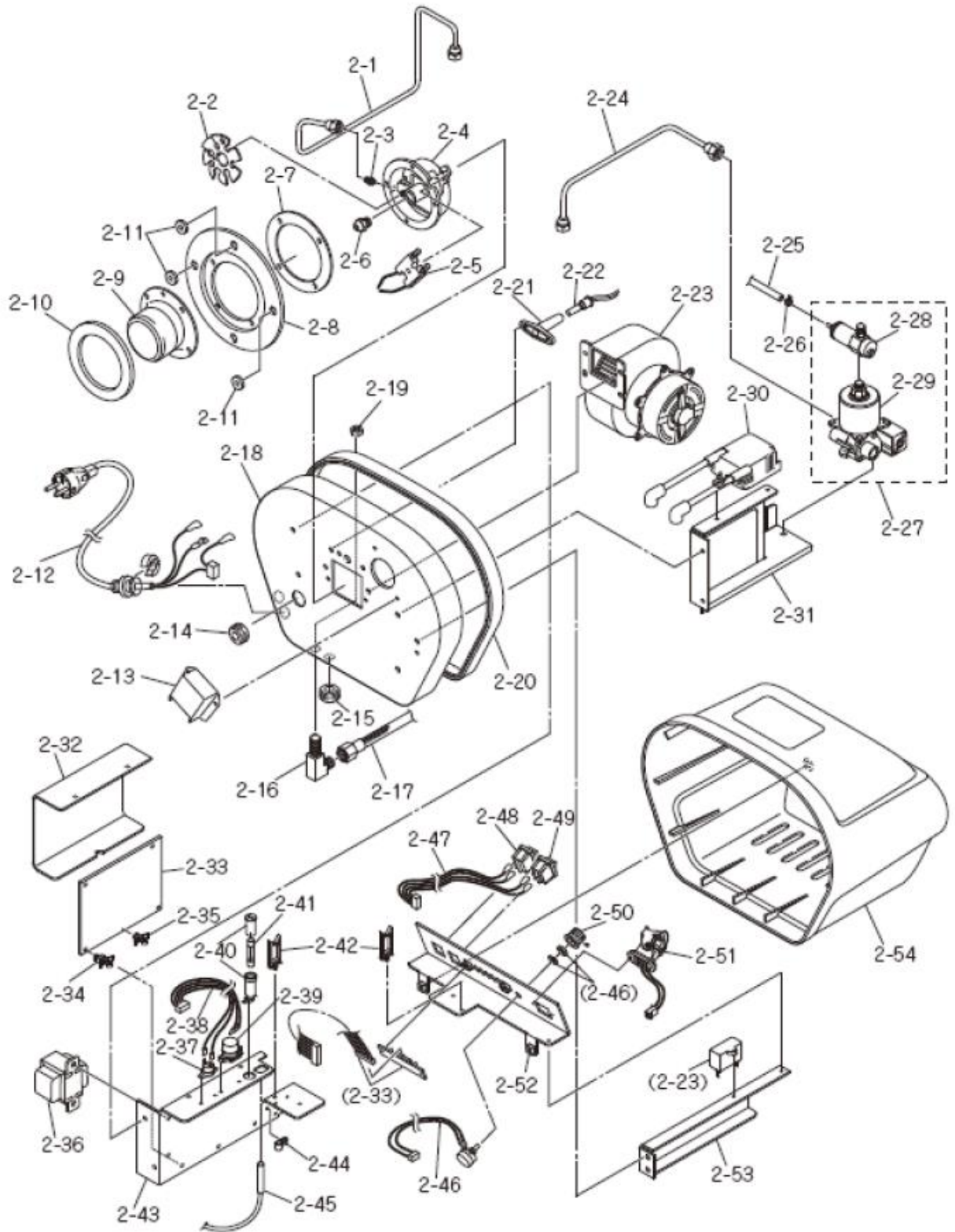
## COMBUSTION SECTION EPX



## COMBUSTION SECTION EPX

| PART NO. | PART NAME<br><COMBUSTION SECTION> | CODE NO.     | Q'TY/<br>SET | EPX1 | EPX5 | REMARKS                |
|----------|-----------------------------------|--------------|--------------|------|------|------------------------|
| 1-1      | VISOR                             | 50335 203003 | 1            | •    | •    |                        |
| 1-2      | CAUTION LABEL PLATE               | 50335 103006 | 1            | •    | •    | with 50300203002 label |
|          | CONICAL HOUSING                   | 50335 103004 | 1            | N/A  | N/A  | changed to 50335180001 |
| 1-3      | CONICAL HOUSING ASSEMBLY          | 50335 180001 | 1            | •    | •    | include 1-2            |
| 1-4      | BURNER FITTING PIECE              | 50335 203007 | 1            | •    | •    |                        |
| 1-5      | SUPPORT PIPE                      | 50335 103002 | 1            | •    | •    |                        |
| 1-6      | CONICAL INSULATOR                 | 50335 203002 | 1            | •    | •    |                        |
| 1-7      | RADIATION DISK                    | 50335 203001 | 1            | •    | •    |                        |
| 1-8      | KNOB BOLT                         | 50229 202074 | 1            | •    | •    |                        |
| 1-9      | GASKET                            | 21300 5002-9 | 1            | •    | •    |                        |
| 1-10     | PROTECTOR BRACKET(L)              | 50335 203006 | 1            | •    | •    |                        |
| 1-11     | PROTECTOR BRACKET(R)              | 50335 203005 | 1            | •    | •    |                        |
| 1-12     | PROTECTOR ASSEMBLY                | 50335 103005 | 1            | •    | •    |                        |
|          |                                   |              |              |      |      |                        |

## BURNER SECTION EPX



## BURNER SECTION EPX

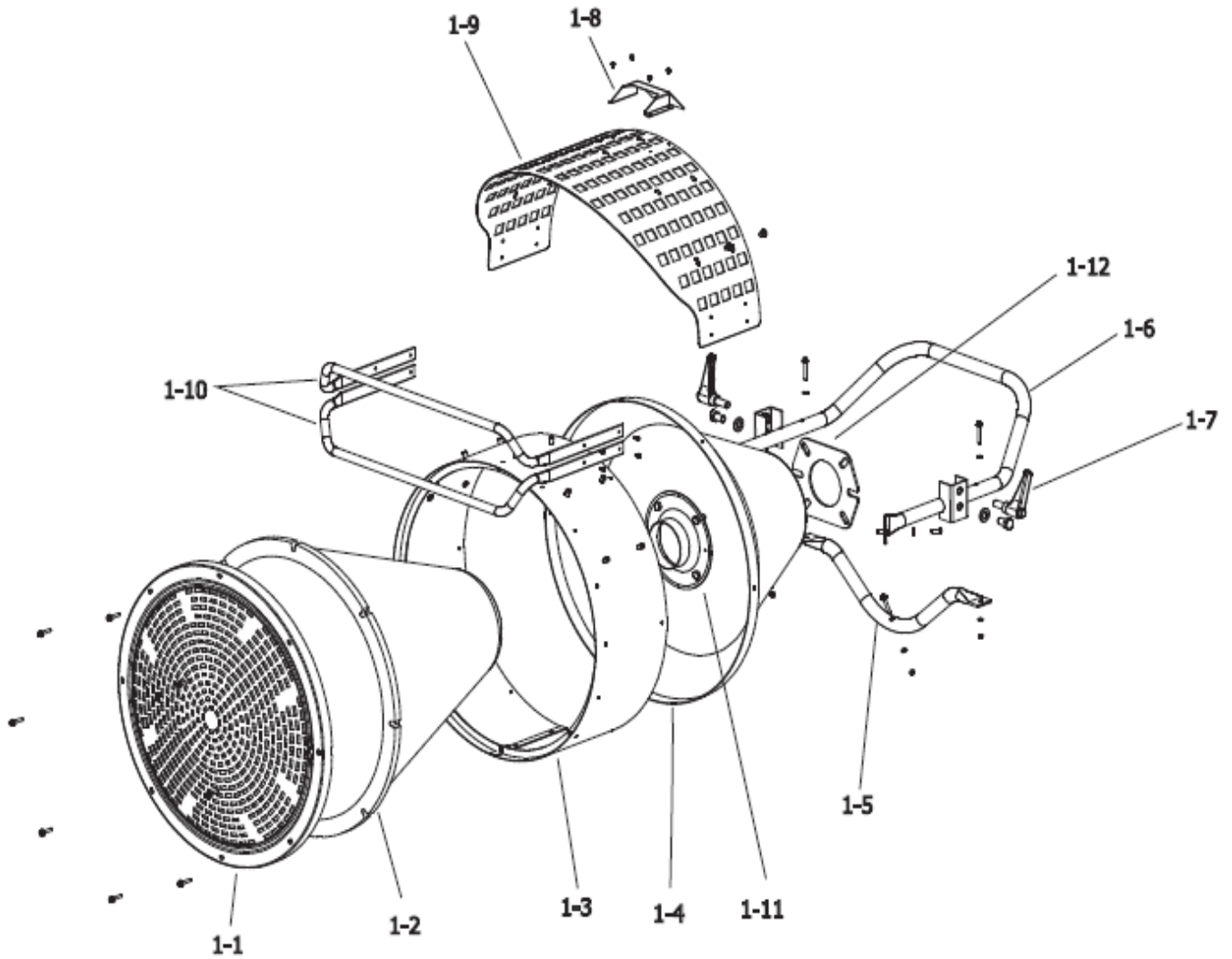
| PART NO. | PART NAME<br><COMBUSTION SECTION> | CODE NO.     | Q'TY/<br>SET | EPX1 | EPX5 | REMARKS                           |
|----------|-----------------------------------|--------------|--------------|------|------|-----------------------------------|
| 2-1      | FUEL OUTLET LINE                  | 50335 201007 | 1            | •    | •    |                                   |
| 2-2      | WHIRL VANE                        | 50335 201012 | 1            | •    | •    |                                   |
| 2-3      | NOZZLE NIPPLE                     | 50217 202052 | 1            | •    | •    |                                   |
| 2-4      | DIFFUSER                          | 50284 202007 | 1            | •    | •    |                                   |
| 2-5      | ELECTRODE                         | 50303 201010 | 1            | •    | •    |                                   |
| 2-6      | NOZZLE                            | 50300 201018 | 1            |      | •    | 0.85C/60°H for H lot only         |
|          |                                   | 50335 201038 | 1            | •    | •    | 0.75C/60°H                        |
| 2-7      | DIFFUSER PACKING                  | 50298 201020 | 1            | •    | •    |                                   |
| 2-8      | BURNER FLANGE                     | 50300 201008 | 1            | •    | •    |                                   |
| 2-9      | BURNER CONE                       | 50300 201017 | 1            | •    | •    |                                   |
| 2-10     | BURNER PACKING                    | 50335 201036 | 1            | •    | •    |                                   |
| 2-11     | SPACER RING                       | 50335 201037 | 3            | •    | •    |                                   |
| 2-12     | POWER CABLE                       | 50335 201021 | 1            | •    |      |                                   |
|          |                                   | 50337 201002 | 1            |      | •    |                                   |
| 2-13     | ELECTRODE COVER                   | 50298 201008 | 1            | •    | •    |                                   |
| 2-14     | PUMP NOZZLE GROMMET               | 21022 003-25 | 1            | •    | •    |                                   |
| 2-15     | φ16 GROMMET                       | 50335 201029 | 1            | •    | •    |                                   |
| 2-16     | RETURN LINE NIPPLE                | 21300 503-60 | 1            | •    | •    |                                   |
| 2-17     | FUEL HOSE                         | 50220 203003 | 1            | •    | •    | L=450                             |
| 2-18     | BURNER BASE                       | 50335 201001 | 1            | •    | •    |                                   |
| 2-19     | NIPPLE FITTING NUT                | 21300 503-58 | 1            | •    | •    | same as 3-11                      |
| 2-20     | BASE PACKING                      | 50335 201018 | 1            | •    | •    |                                   |
| 2-21     | FLAME MONITOR HOLDER              | 50262 202029 | 1            | •    | •    |                                   |
| 2-22     | FLAME MONITOR COMPLETE            | 50335 101009 | 1            | •    | •    |                                   |
| 2-23     | FAN MOTOR                         | 50335 201015 | 1            | •    |      |                                   |
|          |                                   | 50337 201004 | 1            |      | •    |                                   |
| 2-24     | FUEL INTAKE LINE                  | 50335 201006 | 1            | •    | •    |                                   |
| 2-25     | RETURN HOSE                       | 50335 201008 | 1            | •    | •    |                                   |
| 2-26     | HOSE CLAMP                        | 50319 202016 | 1            | •    | •    |                                   |
| 2-27     | FUEL PUMP WITH AIR VENT VALVE     | 50335 201040 | 1            | •    |      |                                   |
|          |                                   | 50337 201003 | 1            |      | •    | for H lot only                    |
|          |                                   | 50337 201007 | 1            |      | •    |                                   |
| 2-28     | AIR VENT VALVE                    | 50335 201041 | 1            | •    |      |                                   |
| 2-29     | FUEL PUMP WITHOUT AIR VENT VALVE  | 50335 201042 | 1            | •    |      |                                   |
| 2-30     | IGNITION TRANSFORMER              | 50335 201016 | 1            | •    |      |                                   |
|          |                                   | 50298 201006 | 1            |      | •    |                                   |
| 2-31     | PUMP TRANSFORMER BRACKET          | 50335 201002 | 1            | •    | •    |                                   |
| 2-32     | BURNER CONTROL COVER              | 50335 101010 | 1            | •    |      | label:50335201017+<br>50291201019 |
|          |                                   | 50337 101005 | 1            |      | •    | label:50335201017+<br>50300201028 |
| 2-33     | BURNER CONTROL BOARD              | 50337 170001 | 1            |      | •    | for H lot only (7min.)            |
|          |                                   | 50335 201039 | 1            | •    | •    |                                   |
| 2-34     | CONTROL BOARD SUPPORT             | 50229 201037 | 4            | •    | •    |                                   |
| 2-35     | CONTROL BOARD SPACER              | 50271 202023 | 2            | •    | •    |                                   |

## BURNER SECTION EPX

| PART NO. | PART NAME<br><COMBUSTION SECTION> | CODE NO.     | Q'TY/<br>SET | EPX1 | EPX5 | REMARKS                               |
|----------|-----------------------------------|--------------|--------------|------|------|---------------------------------------|
| 2-36     | STEP DOWN TRANSFORMER             | 50335 201033 | 1            | •    |      |                                       |
|          |                                   | 50300 201005 | 1            |      | •    |                                       |
| 2-37     | OVERHEAT SENSOR                   | 50288 202001 | 1            | •    | •    |                                       |
| 2-38     | OVERHEAT SENSOR CABLE             | 50335 201028 | 1            | •    | •    |                                       |
| 2-39     | TIP-OVER SWITCH                   | 50298 202015 | 1            | •    | •    |                                       |
| 2-40     | FUSE HOLDER                       | 50291 201004 | 1            | •    |      |                                       |
|          |                                   | 50300 201024 | 1            |      | •    |                                       |
| 2-41     | FUSE                              | 50291 201006 | 1            | •    |      |                                       |
|          |                                   | 50300 201026 | 1            |      | •    |                                       |
| 2-42     | WIRE BINDING                      | 50810 201055 | 2            | •    | •    |                                       |
| 2-43     | CONTROL BOARD CHASSIS             | 50335 201003 | 1            | •    | •    |                                       |
| 2-44     | NYLON CLAMP                       | 50304 202022 | 1            | •    | •    |                                       |
| 2-45     | TEMPERATURE SENSOR                | 50304 202021 | 1            | •    | •    |                                       |
| 2-46     | INTERNAL THERMOSTAT CABLE         | 50335 101007 | 1            | •    | •    |                                       |
| 2-47     | OPERATION SWITCH CABLE            | 50335 201026 | 1            | •    | •    |                                       |
| 2-48     | CHANGE-OVER SWITCH                | 50288 204014 | 1            | •    | •    | till H-02                             |
|          |                                   | 50335 201045 |              | •    | •    | change to<br>50335201045<br>from G-01 |
| 2-49     | OPERATION SWITCH                  | 50288 204013 | 1            | •    | •    | till H-02                             |
|          |                                   | 50335 201044 |              | •    | •    | change to<br>50335201044<br>from G-01 |
| 2-50     | INTERNAL THERMOSTAT KNOB          | 50335 201025 | 1            | •    | •    |                                       |
| 2-51     | EXTERNAL THERMOSTAT CONNECTOR     | 50335 101008 | 1            | •    | •    |                                       |
| 2-52     | OPERATING PANEL                   | 50335 101011 | 1            | •    | •    |                                       |
| 2-53     | OPERATING BRACKET□                | 50335 201010 | 1            | •    | •    |                                       |
| 2-54     | BURNER COVER                      | 50335 101002 | 1            | •    | •    |                                       |
|          |                                   |              |              |      |      |                                       |

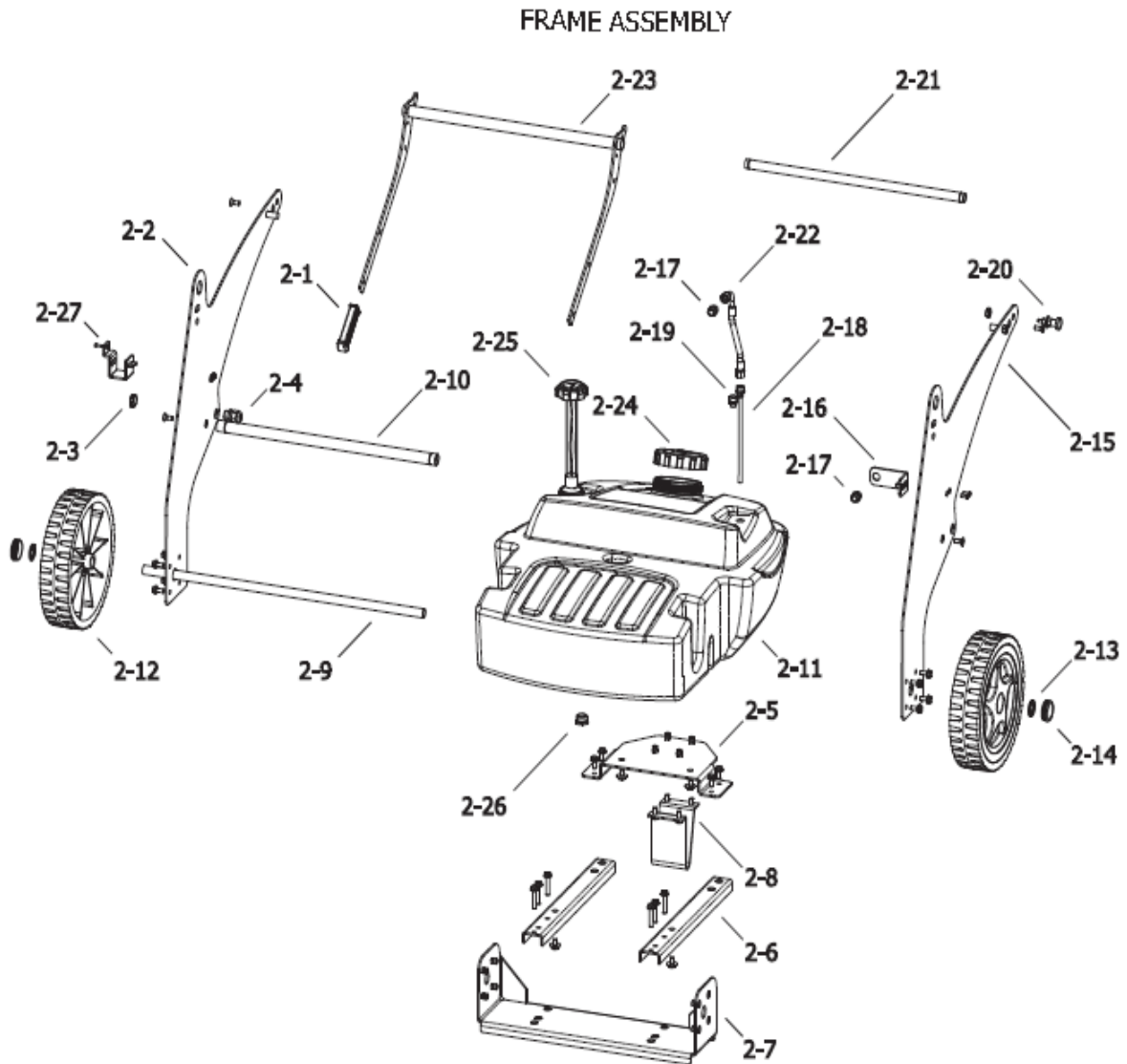
## IFT 42

### COMBUSTION CHAMBER ASSEMBLY



# THERMOBILE®

## IFT 42





## IFT 42

JNIT 3

PARTSLIST

| POS. | Code NR  | Description                      | Rev. Emiss - Aug 2011 |
|------|----------|----------------------------------|-----------------------|
| 1-1  | 4117.043 | RADIATION DISC                   |                       |
| 1-2  | 4117.007 | CONICAL INSULATOR                |                       |
| 1-3  | 4117.072 | DRUM                             |                       |
| 1-4  | 4117.104 | CONICAL HOUSING                  |                       |
| 1-5  | 4117.055 | CONICAL HOUSING BRACKET          |                       |
| 1-6  | 4117.032 | GRIP                             |                       |
| 1-7  | 4117.294 | PLASTIC HOLD                     |                       |
| 1-8  | 4117.027 | PROTECTION SUPPORT               |                       |
| 1-9  | 4117.328 | VISOR                            |                       |
| 1-10 | 4117.096 | GUARD RAIL                       |                       |
| 1-11 | 4117.190 | COMBUSTION CHAMBER FLANGE        |                       |
| 1-12 | 4117.191 | COMBUSTION CHAMBER FLANGE GASKET |                       |

JNIT 3

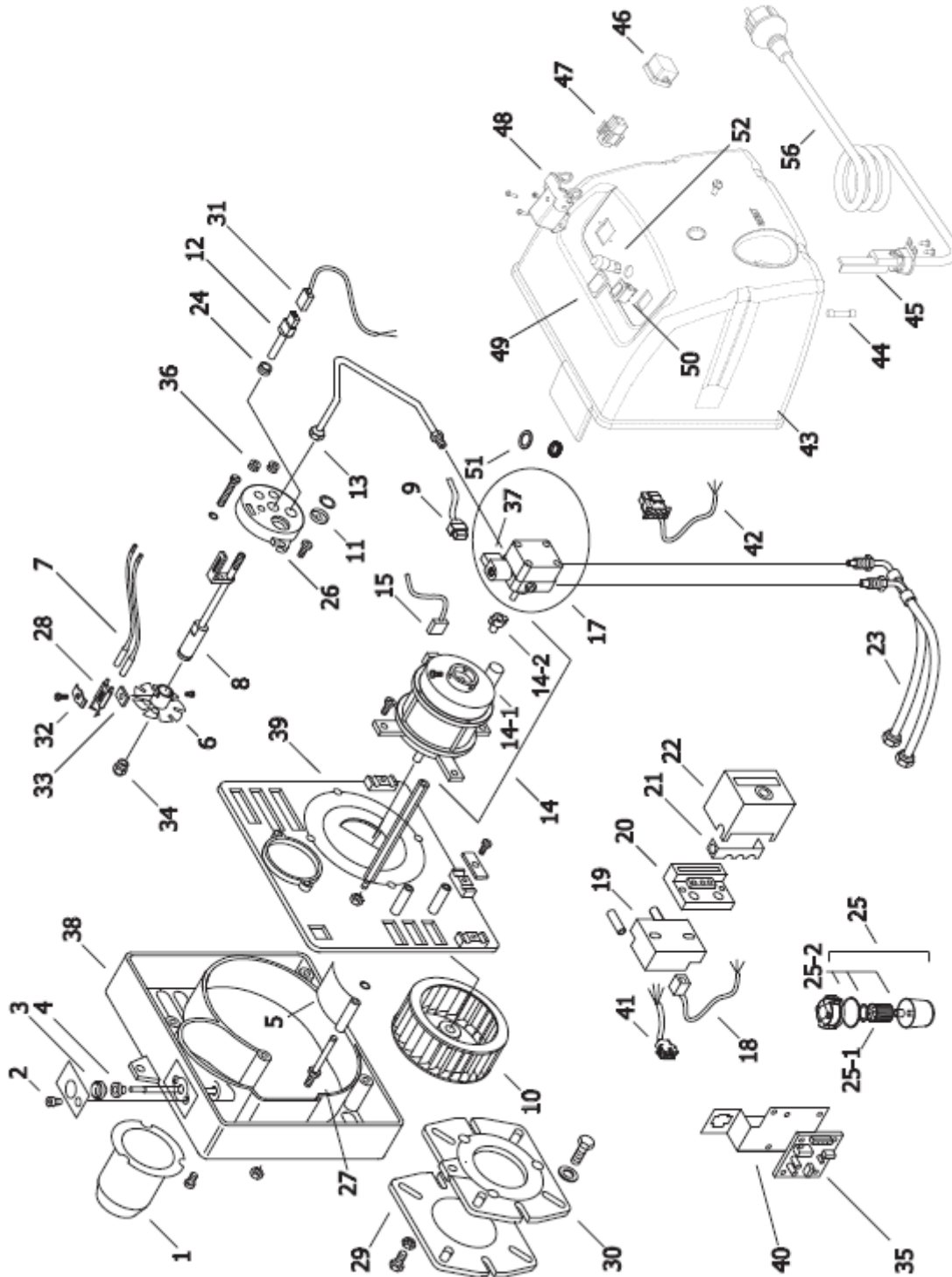
PARTSLIST

| POS. | Code NR  | Description           | Rev. Emiss - Aug 2011 |
|------|----------|-----------------------|-----------------------|
| 2-1  | 4117.044 | PLASTIC GRIP          |                       |
| 2-2  | 4117.335 | RIGHT SUPPORT         |                       |
| 2-3  | 4100.656 | NYLON LOCKNUT         |                       |
| 2-4  | 4150.528 | STRAIN RELIEF BUSHING |                       |
| 2-5  | 4117.202 | FUEL TANK BASE KIT    |                       |
| 2-6  | 4117.203 | BURNER FLANGE         |                       |
| 2-7  | 4117.204 | STRINGER KIT          |                       |
| 2-8  | 4117.019 | LOWER SUPPORT KIT     |                       |
| 2-9  | 4117.038 | AXLE                  |                       |
| 2-10 | 4117.036 | TUBE                  |                       |
| 2-11 | 4117.304 | FUEL TANK             |                       |
| 2-12 | 4110.978 | WHEEL                 |                       |
| 2-13 | 4111.072 | WHEEL HOLDER          |                       |
| 2-14 | 4111.480 | WHEEL PLUG            |                       |
| 2-15 | 4117.336 | LEFT SUPPORT          |                       |
| 2-16 | 4117.042 | KIT FILTER SUPPORT    |                       |
| 2-17 | 4117.048 | NIPPLES               |                       |
| 2-18 | 4117.050 | PIPE CONNECTION       |                       |
| 2-19 | 4117.049 | NIPPLES               |                       |
| 2-20 | 4117.152 | SET PLUG              |                       |
| 2-21 | 4117.039 | TUBE                  |                       |
| 2-22 | 4117.051 | FLEXIBLE CONNECTION   |                       |
| 2-23 | 4117.011 | ROTATION SET          |                       |
| 2-24 | 4117.053 | FUEL PLUG             |                       |
| 2-25 | 4117.006 | FUEL LEVEL PROBE      |                       |
| 2-26 | 4032.813 | DRAIN PLUG            |                       |
| 2-27 | 4117.185 | SUPPORT               |                       |

## IFT 42

From Serial Number: 30700044

Rev. Emiss. - Aug 2011



## IFT 42

| POS. | Code NR  | Description                | Rev. Emiss - Aug 2011 |
|------|----------|----------------------------|-----------------------|
| 1    | 4117.128 | BURNER CONE                |                       |
| 2    | N/A      | SCREW                      |                       |
| 3    | N/A      | ROUND INDICATOR            |                       |
| 4    | N/A      | SLEEVE                     |                       |
| 5    | 4117.129 | BURNER FASTENER            |                       |
| 6    | 4117.130 | BURNER DISC                |                       |
| 7    | 1*       | ELECTRODE LINE             |                       |
| 8    | 4117.136 | NOZZLE SUPPORT             |                       |
| 9    | 1*       | ELECTROVALVE LINE          |                       |
| 10   | 4117.134 | FAN                        |                       |
| 11   | N/A      | FLAME CHECK                |                       |
| 12   | 4110.966 | PHOTOCELL                  |                       |
| 13   | 4117.135 | COPPER TUBE                |                       |
| 14   | 4117.125 | MOTOR                      |                       |
| 14-1 | 4117.206 | MOTOR CAPACITOR SIMEL      |                       |
| 14-2 | 4111.081 | PUMP COUPLING SIMEL        |                       |
| 15   | 1*       | MOTOR LINE                 |                       |
| 17   | 4111.042 | OIL PUMP DANFOSS           |                       |
| 17-1 | 4031.094 | PUMP FILTER                |                       |
| 18   | 1*       | TRANSFORMER LINE           |                       |
| 19   | 4117.141 | TRANSFORMER DANFOSS        |                       |
| 20   | 4110.969 | FLAME CONTROL BASE         |                       |
| 21   | N/A      | BASE PARTITION             |                       |
| 22   | 4110.968 | CONTROL BOX SATRONIC       |                       |
| 23   | 4117.142 | PLASTIC TUBE               |                       |
| 24   | 4117.207 | PHOTOCELL ADAPTOR          |                       |
| 25   | 4031.070 | FUEL FILTER                |                       |
| 25-1 | 4031.015 | FILTER ELEMENT             |                       |
| 25-2 | 4111.116 | FILTER SEAL                |                       |
| 26   | N/A      | BURNER FLANGE              |                       |
| 27   | 4117.146 | BURNER FASTENER BOLT       |                       |
| 28   | 4117.195 | ELECTRODE                  |                       |
| 29   | 4117.148 | BURNER FLANGE SEAL         |                       |
| 30   | 4117.194 | BURNER FLANGE CONNECTION   |                       |
| 31   | 1*       | PHOTOCELL LINE             |                       |
| 32   | N/A      | ELECTRODE CLAMP            |                       |
| 33   | N/A      | ELECTRODE SEAL             |                       |
| 34   | 4116.759 | NOZZLE                     |                       |
| 35   | 4117.151 | PC BOARD                   |                       |
| 36   | N/A      | RUBBER RING                |                       |
| 37-1 | 4031.195 | VALVE                      |                       |
| 37-2 | 4031.019 | SPOOL                      |                       |
| 38   | 4117.166 | BURNER HOUSING             |                       |
| 39   | 4117.167 | BURNER HOUSING PLATE       |                       |
| 40   | 4117.153 | PC BOARD SUPPORT           |                       |
| 41   | 1*       | 4 PIN PLUG LINE            |                       |
| 42   | 2*       | CONNECTION LINE            |                       |
| 43   | 4117.214 | BURNER COVER               |                       |
| 44   | 4117.057 | FUSE                       |                       |
| 45   | 4111.038 | CABLE FASTENER             |                       |
| 46   | 4117.080 | THERMOSTAT CONNECTION PLUG |                       |
| 47   | 4161.400 | CONNECTION SOCKET          |                       |
| 48   | 4160.647 | ANGULAR FIX CASE           |                       |
| 49   | 4104.336 | COVER SWITCH               |                       |
| 50   | 4100.667 | SWITCH                     |                       |
| 51   | 4117.093 | RUBBER SEAL                |                       |