

GRI**motralec**

4 rue Lavoisier . ZA Lavoisier . 95223 HERBLAY CEDEX
 Tel. : 01.39.97.65.10 / Fax. : 01.39.97.68.48
 Demande de prix / e-mail : service-commercial@motralec.com
www.motralec.com



Impeller with grinder system

General characteristics

- Impeller with grinder system
- 1,7 kW motor power
- 2 poles
- GAS 2" - DN32 horizontal delivery port

Electromechanical assembly

Electromechanical assembly in GJL-250 cast iron, for submerged operation. Seal set comprising 1 (one) silicon carbide mechanical seal and 1 (one) graphite alumina lip seal, installed in series in inspectable oil sump. Ecological dry motor. Separate pump body. Series not available in explosion-proof version.

Applications

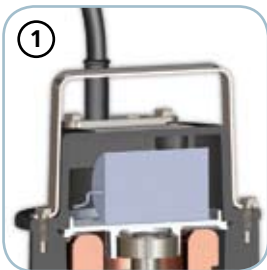
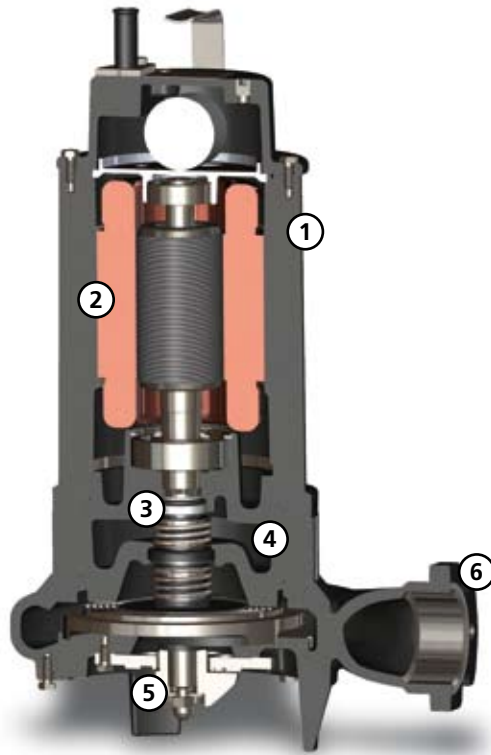
Can be used for lifting soiled wastewaters containing filaments or fibres, and heavy-duty applications with unstrained civil wastewaters in general.

Construction materials

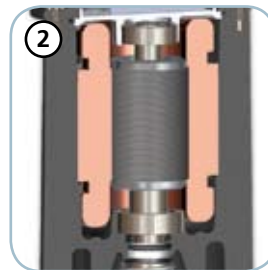
Case	Cast Iron EN-GJL 250
Impeller	Cast iron EN-GJL-250
Nuts and bolts	Stainless Steel - Class A2-70
Standard gasket	Rubber - NBR
Cutter material	Tool Stainless Steel - X102 CrMo17 KU
Cutting disk material	Tool Stainless Steel - X102 CrMo17 KU
Shaft	Stainless Steel - AISI 420
Set of standard mechanical seals	One Silicon carbide mechanical seal (SiC) and One Carbon-Aluminium oxide mechanical seal (AL)

operating limits

Maximum operating temperature	40 °C
PH of treated fluid	6 to 10 pH
Viscosity of treated fluid	1 mm ² /s
Maximum immersion depth	20 m
Density of treated fluid	1 Kg/dm ³
Maximum acoustic pressure	70 dB
max starts per hour	20



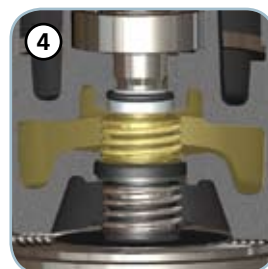
1 Structure
Constructed in GJL-250 cast iron



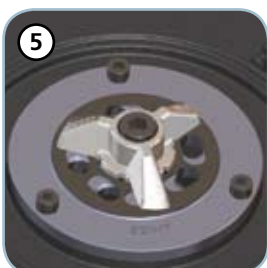
2 Motor
Ecological dry motor with thermal overloads



3 Mechanical seals
One mechanical seal in silicon carbide (SiC)



4 Oil sump
Large oil sump to guarantee longer mechanical seal lifetime



5 Grinder system
Grinder system comprising a revolving cutter and a plate with holes with sharpened edges that fine-chops filaments, preventing fouling of the impeller



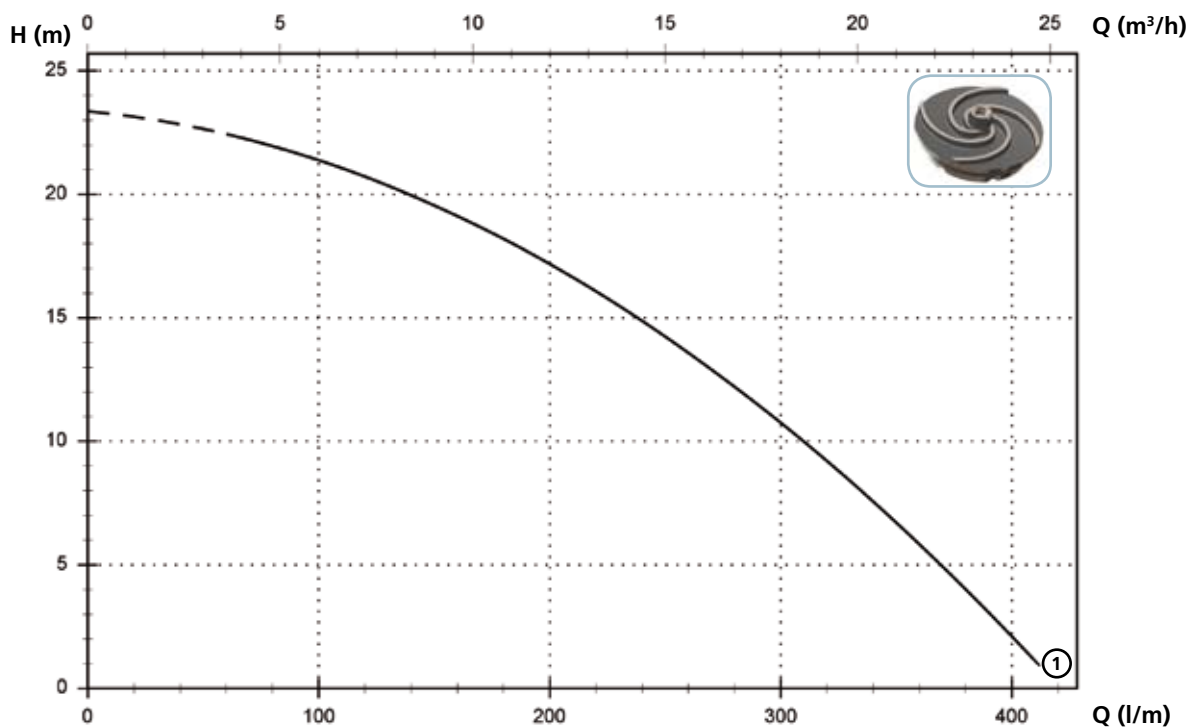
6 Delivery port
Threaded, flanged delivery port for the maximum ease of installation

GRI

Models with horizontal GAS 2" threaded - DN32 PN6 flanged delivery port - 2 poles

Performances

	l/s	0	1	2	3	4	5	6
	l/min	0	60	120	180	240	300	360
	m ³ /h	0	3,6	7,2	10,8	14,4	18,0	21,6
①	GRI 200/2/G50H A0CM(T)/50	23,4	22,4	20,7	18,2	14,9	10,8	5,8



Technical data

	V	Phases	P1 (kW)	P2 (kW)	A	Rpm	Ø	Cable (*)	Free passage	
①	GRI 200/2/G50H A0CM/50	230	1	-	1.7	10.6	2900	G 2"-DN32 PN6	A	-

	V	Phases	P1 (kW)	P2 (kW)	A	Rpm	Ø	Cable (*)	Free passage	
①	GRI 200/2/G50H A0CT/50	400	3	-	1.7	3.8	2900	G 2"-DN32 PN6	A	-

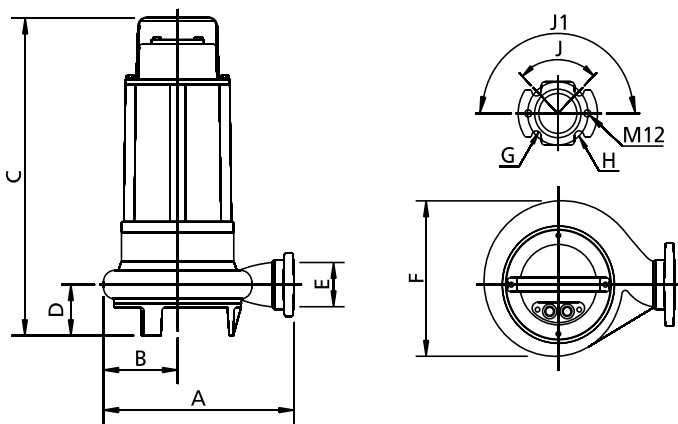
(*) A = H07RN-F 4G1 - 10 m

Versions available

(Key to versions on page 15)

	Electrical variants											Cooling		Mechanical seals				
	N A E	T C	T C D	T C D T	T C D G T	T C S T	T C S G T	T C S G T S	T R	T R G	F T	C G F T	N	CC	2SIC	SICM	SICAL	2SICAL
GRI 200/2/G50H A0CM/50				●	●							●					●	
GRI 200/2/G50H A0CT/50								●	●			●					●	

Overall dimensions and weights



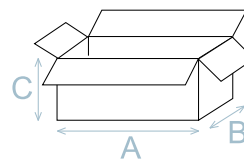
	A	B	C	D	E	F	G	H	J	J1	kg
GRI 200/2/G50H A0CM(T)/50	285	110	450	75	G 2"	220	14	90	90°	180°	32

Measurements in mm

Packaging dimension

	A	B	C
GRI 200/2/G50H A0CM(T)/50	580	310	310

Dimension in mm



Installations available

