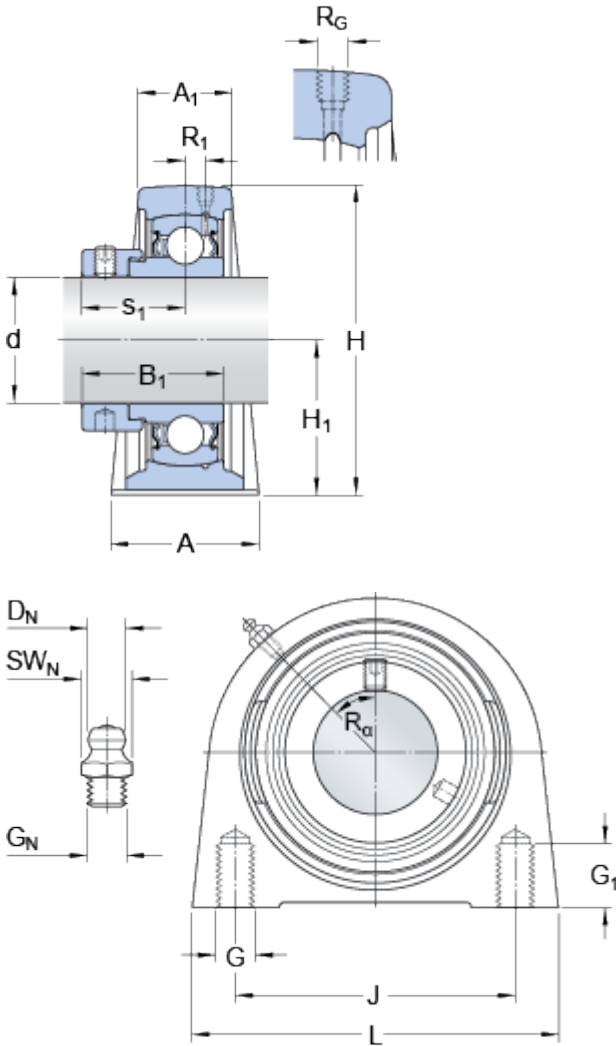


# SYF 35 FM

Housing material

Cast iron

## Dimensions



d	35	mm
A	45	mm
A <sub>1</sub>	27	mm
B <sub>1</sub>	38.9	mm
H	93	mm
H <sub>1</sub>	47.6	mm
J	82.6	mm
L	103	mm
s <sub>1</sub>	29.4	mm

### Threaded hole

R <sub>G</sub>	1/4-28 UNF	
R <sub>1</sub>	3	mm
R <sub>α</sub>	45	°

### Grease fitting

D <sub>N</sub>	6.5	mm
SW <sub>N</sub>	7	mm
G <sub>N</sub>	1/4-28 SAE-LT	

## Calculation data

Basic dynamic load rating	C	25.5	kN
Basic static load rating	C <sub>0</sub>	15.3	kN
Fatigue load limit	P <sub>u</sub>	0.655	kN
Limiting speed (with shaft tolerance h6)		5300	r/min

## Mass

Mass bearing unit		1.3	kg
-------------------	--	-----	----

## Mounting information

Housing thread for attachment bolts

G

M10

Thread length	G <sub>1</sub>	15	mm
Hexagonal key size for grub screw	N	5	mm
Recommended tightening torque for grub screw		16.5	N·m

---

**Appertaining products**

Housing		SYF 507
Bearing		YET 207

---